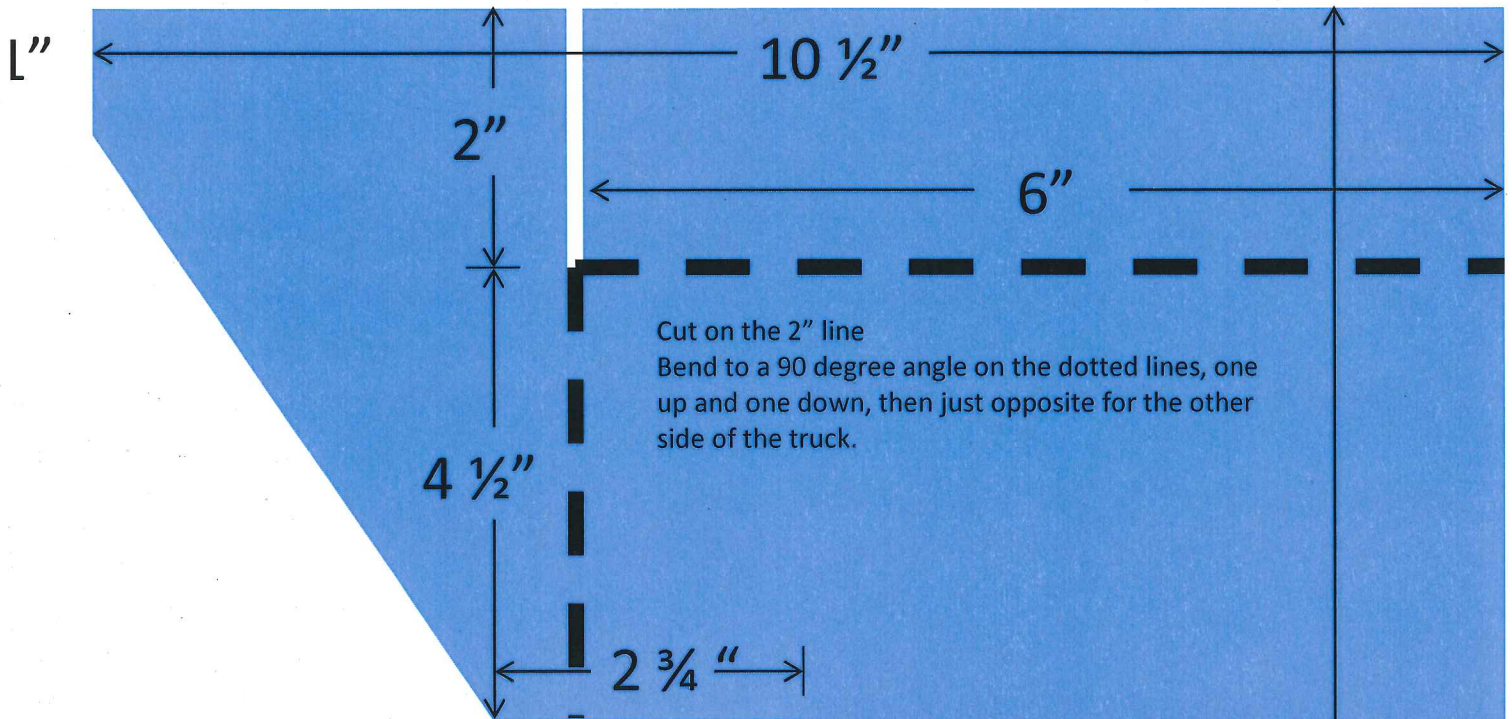


## Air Foil Design and Installation Information



This air foil will improve the air flow in the back of the truck, preventing the buildup of snow and dust. It will also improve the visibility for the motoring public when approaching snow plows from behind by keeping the strobe lights, turn signals and reflective material more visible.

Operators say they work well in keeping the rear area of plow trucks free of snow buildup during winter events and dust in the summer. Installation is quick and easy, and the time operators had spent cleaning off the backs of their trucks was eliminated.

