



MINNESOTA DEPT OF TRANSPORTATION

TRAFFIC DATA COLLECTION - METRO

I-35 AT CSAH-50, EAST RAMPS
 REF.PT.: 085.507
 JAMAR # 632 DR
 TURN MOVEMENT COUNT

File Name : I-35 AT CSAH-50 EAST RAMP 2007
 Site Code : 00000000
 Start Date : 2/15/2007
 Page No : 1

Groups Printed- Cars & Trucks

Start Time	RAMP TO I-35 NB Southbound				CSAH-50 Westbound				RAMP FROM I-35 NB Northbound				CSAH-50 Eastbound				Int. Total
	Left	Thru	Right	Peds	Left	Thru	Right	Peds	Left	Thru	Right	Peds	Left	Thru	Right	Peds	
06:00	0	0	0	0	0	29	118	0	7	0	10	0	18	44	0	0	226
06:15	0	0	0	0	0	38	180	0	15	0	12	0	13	60	0	0	318
06:30	0	0	0	0	0	63	230	0	16	0	18	0	10	69	0	0	406
06:45	0	0	0	0	0	64	196	0	20	0	24	0	23	94	0	0	421
Total	0	0	0	0	0	194	724	0	58	0	64	0	64	267	0	0	1371
07:00	0	0	0	0	0	59	208	0	25	0	25	0	12	105	0	0	434
07:15	0	0	0	0	0	98	217	0	33	0	19	0	10	124	0	0	501
07:30	0	0	0	0	0	119	214	0	34	0	25	0	28	90	0	0	510
07:45	0	0	0	0	0	105	133	0	33	0	21	0	24	109	0	0	425
Total	0	0	0	0	0	381	772	0	125	0	90	0	74	428	0	0	1870
08:00	0	0	0	0	0	62	159	0	26	0	24	0	13	98	0	0	382
08:15	0	0	0	0	0	79	155	0	26	0	24	0	21	90	0	0	395
08:30	0	0	0	0	0	56	134	0	21	0	33	0	23	107	0	0	374
08:45	0	0	0	0	0	77	142	0	19	1	43	0	22	96	0	0	400
Total	0	0	0	0	0	274	590	0	92	1	124	0	79	391	0	0	1551
*** BREAK ***																	
11:00	0	0	0	0	0	64	73	0	16	0	35	0	20	125	0	0	333
11:15	0	0	0	0	0	74	116	0	12	0	40	0	15	146	0	0	403
11:30	0	0	0	0	0	70	87	0	15	0	43	0	20	142	0	0	377
11:45	0	0	0	0	0	75	106	0	17	0	36	0	12	152	0	0	398
Total	0	0	0	0	0	283	382	0	60	0	154	0	67	565	0	0	1511
12:00	0	0	0	0	0	62	90	0	22	0	33	0	24	133	0	0	364
12:15	0	0	0	0	0	101	90	0	23	1	50	0	20	138	0	0	423
12:30	0	0	0	0	0	76	88	0	25	0	57	0	32	156	0	0	434
12:45	0	0	0	0	0	80	87	0	19	0	43	0	20	155	0	0	404
Total	0	0	0	0	0	319	355	0	89	1	183	0	96	582	0	0	1625
*** BREAK ***																	
15:00	0	0	0	0	0	98	95	0	19	1	38	0	21	197	0	0	469
15:15	0	0	0	0	0	99	127	0	21	0	32	0	18	254	0	0	551
15:30	0	0	0	0	0	122	118	0	29	0	47	0	23	245	0	0	584
15:45	0	0	0	0	0	131	122	0	22	0	41	0	21	258	0	0	595
Total	0	0	0	0	0	450	462	0	91	1	158	0	83	954	0	0	2199
16:00	0	0	0	0	0	129	121	0	19	0	47	0	20	265	0	0	601
16:15	0	0	0	0	0	114	101	0	25	1	50	0	14	281	0	0	586
16:30	0	0	0	0	0	151	137	0	30	0	60	0	27	301	0	0	706
16:45	0	0	0	0	0	132	128	0	30	0	54	0	22	337	0	0	703
Total	0	0	0	0	0	526	487	0	104	1	211	0	83	1184	0	0	2596
17:00	0	0	0	0	0	140	130	0	21	0	48	0	20	328	0	0	687
17:15	0	0	0	0	0	140	116	0	25	0	66	0	25	337	0	0	709
17:30	0	0	0	0	0	110	117	0	28	0	48	0	18	316	0	0	637
17:45	0	0	0	0	0	124	116	0	19	0	39	0	26	263	0	0	587
Total	0	0	0	0	0	514	479	0	93	0	201	0	89	1244	0	0	2620
Grand Total	0	0	0	0	0	2941	4251	0	712	4	1185	0	635	5615	0	0	15343
Apprch %	0	0	0	0	0	40.9	59.1	0	37.5	0.2	62.3	0	10.2	89.8	0	0	
Total %	0	0	0	0	0	19.2	27.7	0	4.6	0	7.7	0	4.1	36.6	0	0	



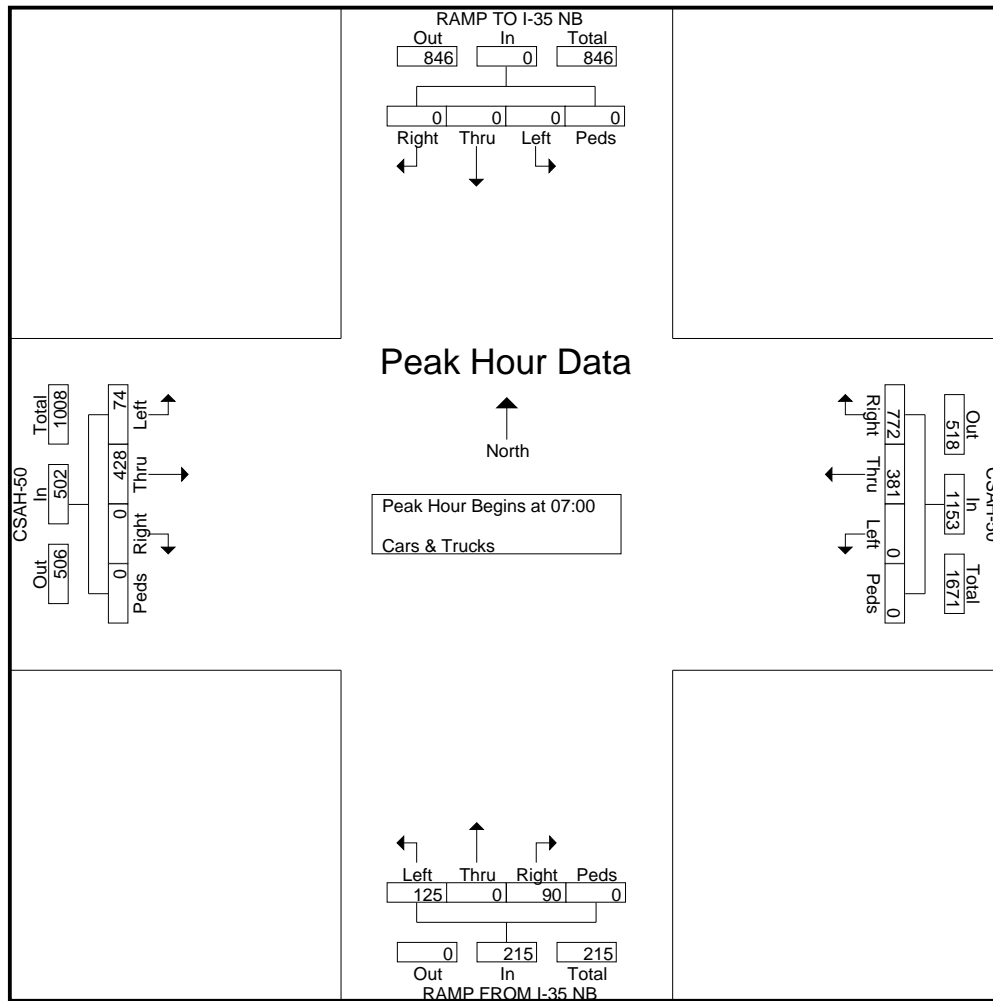
MINNESOTA DEPT OF TRANSPORTATION

TRAFFIC DATA COLLECTION - METRO

I-35 AT CSAH-50, EAST RAMPS
 REF.PT.: 085.507
 JAMAR # 632 DR
 TURN MOVEMENT COUNT

File Name : I-35 AT CSAH-50 EAST RAMP 2007
 Site Code : 00000000
 Start Date : 2/15/2007
 Page No : 2

Start Time	RAMP TO I-35 NB Southbound					CSAH-50 Westbound					RAMP FROM I-35 NB Northbound					CSAH-50 Eastbound					Int. Total
	Left	Thru	Right	Peds	App. Total	Left	Thru	Right	Peds	App. Total	Left	Thru	Right	Peds	App. Total	Left	Thru	Right	Peds	App. Total	
Peak Hour Analysis From 06:00 to 08:45 - Peak 1 of 1																					
Peak Hour for Entire Intersection Begins at 07:00																					
07:00	0	0	0	0	0	0	59	208	0	267	25	0	25	0	50	12	105	0	0	117	434
07:15	0	0	0	0	0	0	98	217	0	315	33	0	19	0	52	10	124	0	0	134	501
07:30	0	0	0	0	0	0	119	214	0	333	34	0	25	0	59	28	90	0	0	118	510
07:45	0	0	0	0	0	0	105	133	0	238	33	0	21	0	54	24	109	0	0	133	425
Total Volume	0	0	0	0	0	0	381	772	0	1153	125	0	90	0	215	74	428	0	0	502	1870
% App. Total																					
PHF	.000	.000	.000	.000	.000	.000	.800	.889	.000	.866	.919	.000	.900	.000	.911	.661	.863	.000	.000	.937	.917





MINNESOTA DEPT OF TRANSPORTATION

TRAFFIC DATA COLLECTION - METRO

I-35 AT CSAH-50, EAST RAMPS
 REF.PT.: 085.507
 JAMAR # 632 DR
 TURN MOVEMENT COUNT

File Name : I-35 AT CSAH-50 EAST RAMP 2007
 Site Code : 00000000
 Start Date : 2/15/2007
 Page No : 3

Start Time	RAMP TO I-35 NB Southbound					CSAH-50 Westbound					RAMP FROM I-35 NB Northbound					CSAH-50 Eastbound					Int. Total
	Left	Thru	Right	Peds	App. Total	Left	Thru	Right	Peds	App. Total	Left	Thru	Right	Peds	App. Total	Left	Thru	Right	Peds	App. Total	
Peak Hour Analysis From 15:00 to 17:45 - Peak 1 of 1																					
Peak Hour for Entire Intersection Begins at 16:30																					
16:30	0	0	0	0	0	0	151	137	0	288	30	0	60	0	90	27	301	0	0	328	706
16:45	0	0	0	0	0	0	132	128	0	260	30	0	54	0	84	22	337	0	0	359	703
17:00	0	0	0	0	0	0	140	130	0	270	21	0	48	0	69	20	328	0	0	348	687
17:15	0	0	0	0	0	0	140	116	0	256	25	0	66	0	91	25	337	0	0	362	709
Total Volume	0	0	0	0	0	0	563	511	0	1074	106	0	228	0	334	94	1303	0	0	1397	2805
% App. Total	0	0	0	0	0	0	52.4	47.6	0		31.7	0	68.3	0		6.7	93.3	0	0		
PHF	.000	.000	.000	.000	.000	.000	.932	.932	.000	.932	.883	.000	.864	.000	.918	.870	.967	.000	.000	.965	.989

