



# MINNESOTA DEPT OF TRANSPORTATION

## TRAFFIC DATA COLLECTION - METRO

Little Canada Rd at Country Dr.  
 Ref.Pt.: (W of W ramps of I-35E)  
 JAMAR # 631 RE  
 TURN MOVEMENT COUNT

File Name : Little Canada Rd at Country Dr 2008  
 Site Code : 00000000  
 Start Date : 12/3/2008  
 Page No : 1

### Groups Printed- Cars & Trucks

Start Time	Country Dr (Frontage Rd)				Little Canada Rd.				Gas Station entrance				Little Canada Rd.				Int. Total
	Southbound				Westbound				Northbound				Eastbound				
	Left	Thru	Right	Peds	Left	Thru	Right	Peds	Left	Thru	Right	Peds	Left	Thru	Right	Peds	
06:00	23	0	3	0	0	38	19	1	1	0	0	0	1	62	2	0	150
06:15	12	0	1	0	1	38	27	0	2	0	3	0	3	46	5	0	138
06:30	18	1	2	0	1	68	40	0	2	0	1	0	2	74	1	0	210
06:45	24	1	3	0	0	88	62	0	1	0	2	0	3	67	2	0	253
Total	77	2	9	0	2	232	148	1	6	0	6	0	9	249	10	0	751
07:00	33	0	3	0	0	136	43	0	0	0	1	0	0	69	2	0	287
07:15	37	0	6	0	2	205	73	0	1	0	2	0	10	79	3	0	418
07:30	26	0	10	0	0	265	77	0	0	0	2	0	0	85	2	0	467
07:45	24	0	8	0	4	269	120	0	1	0	5	0	2	86	1	0	520
Total	120	0	27	0	6	875	313	0	2	0	10	0	12	319	8	0	1692
08:00	28	0	8	0	0	221	93	0	0	0	1	0	5	93	1	0	450
08:15	27	1	9	0	1	170	66	0	1	0	2	0	1	99	1	0	378
08:30	32	0	2	0	3	133	48	1	1	1	3	0	3	87	2	0	316
08:45	29	1	6	0	1	112	39	0	1	0	1	0	4	86	1	0	281
Total	116	2	25	0	5	636	246	1	3	1	7	0	13	365	5	0	1425
*** BREAK ***																	
11:00	37	0	7	0	0	96	33	0	0	0	0	0	1	79	0	0	253
11:15	34	0	9	0	1	83	26	0	0	1	0	0	0	97	2	0	253
11:30	32	1	10	0	0	109	37	0	1	0	1	0	5	92	1	0	289
11:45	32	1	6	0	0	89	37	0	0	2	2	0	7	86	5	0	267
Total	135	2	32	0	1	377	133	0	1	3	3	0	13	354	8	0	1062
12:00	47	2	7	0	2	120	31	0	3	1	3	0	6	86	3	0	311
12:15	28	0	7	0	0	95	53	1	1	2	3	0	7	95	2	0	294
12:30	37	0	7	0	1	104	34	0	3	0	1	0	3	131	5	0	326
12:45	44	1	9	0	3	111	45	0	1	1	4	0	8	104	5	0	336
Total	156	3	30	0	6	430	163	1	8	4	11	0	24	416	15	0	1267
*** BREAK ***																	
14:45	43	0	4	0	0	127	27	0	0	1	5	0	10	134	4	0	355
Total	43	0	4	0	0	127	27	0	0	1	5	0	10	134	4	0	355
15:00	41	0	9	0	1	132	46	0	1	0	2	0	6	144	4	1	387
15:15	42	0	10	0	0	140	34	0	1	0	1	0	7	146	0	0	381
15:30	54	1	9	0	0	121	35	0	0	0	1	0	2	166	0	1	390
15:45	40	0	7	0	1	142	38	0	2	0	1	0	10	143	2	0	386
Total	177	1	35	0	2	535	153	0	4	0	5	0	25	599	6	2	1544
16:00	81	0	8	0	0	166	58	0	0	0	0	0	5	162	0	0	480
16:15	58	0	5	0	0	164	38	0	0	0	0	0	5	167	0	0	437
16:30	86	2	8	0	4	117	40	0	0	0	3	0	8	170	4	0	442
16:45	46	1	12	0	2	141	41	0	1	1	8	0	4	182	2	0	441
Total	271	3	33	0	6	588	177	0	1	1	11	0	22	681	6	0	1800
17:00	76	0	6	0	0	122	38	0	3	0	2	0	7	183	3	0	440
17:15	44	1	5	0	1	139	42	0	1	0	2	0	4	186	3	0	428
17:30	41	0	4	0	1	141	47	0	0	1	3	0	5	172	1	0	416
17:45	42	0	3	0	1	145	31	1	0	0	2	0	9	148	4	0	386
Total	203	1	18	0	3	547	158	1	4	1	9	0	25	689	11	0	1670
Grand Total	1298	14	213	0	31	4347	1518	4	29	11	67	0	153	3806	73	2	11566
Apprch %	85.1	0.9	14	0	0.5	73.7	25.7	0.1	27.1	10.3	62.6	0	3.8	94.3	1.8	0	
Total %	11.2	0.1	1.8	0	0.3	37.6	13.1	0	0.3	0.1	0.6	0	1.3	32.9	0.6	0	





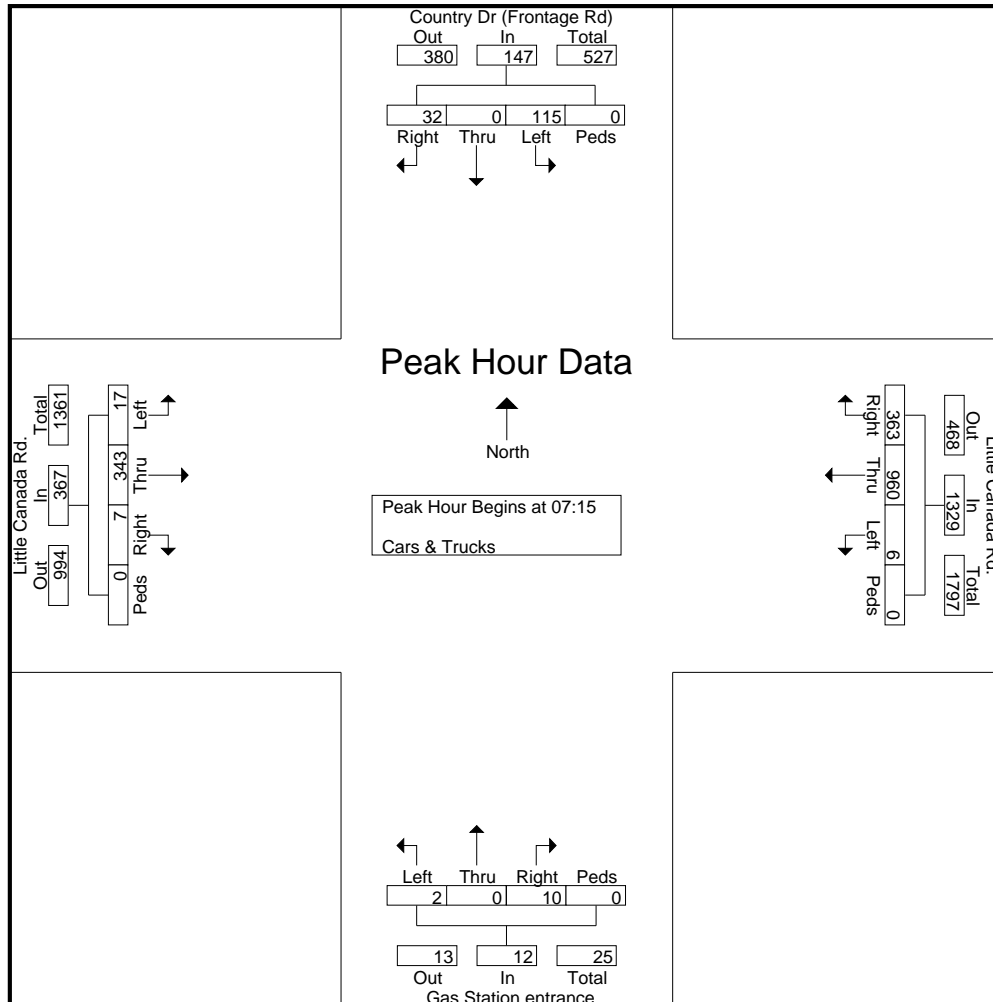
# MINNESOTA DEPT OF TRANSPORTATION

## TRAFFIC DATA COLLECTION - METRO

Little Canada Rd at Country Dr.  
 Ref.Pt.: (W of W ramps of I-35E)  
 JAMAR # 631 RE  
 TURN MOVEMENT COUNT

File Name : Little Canada Rd at Country Dr 2008  
 Site Code : 00000000  
 Start Date : 12/3/2008  
 Page No : 3

Start Time	Country Dr (Frontage Rd) Southbound					Little Canada Rd. Westbound					Gas Station entrance Northbound					Little Canada Rd. Eastbound					Int. Total
	Left	Thru	Right	Peds	App. Total	Left	Thru	Right	Peds	App. Total	Left	Thru	Right	Peds	App. Total	Left	Thru	Right	Peds	App. Total	
Peak Hour Analysis From 06:00 to 08:45 - Peak 1 of 1																					
Peak Hour for Entire Intersection Begins at 07:15																					
07:15	37	0	6	0	43	2	205	73	0	280	1	0	2	0	3	10	79	3	0	92	418
07:30	26	0	10	0	36	0	265	77	0	342	0	0	2	0	2	0	85	2	0	87	467
07:45	24	0	8	0	32	4	269	120	0	393	1	0	5	0	6	2	86	1	0	89	520
08:00	28	0	8	0	36	0	221	93	0	314	0	0	1	0	1	5	93	1	0	99	450
Total Volume	115	0	32	0	147	6	960	363	0	1329	2	0	10	0	12	17	343	7	0	367	1855
% App. Total	78.2	0	21.8	0		0.5	72.2	27.3	0		16.7	0	83.3	0		4.6	93.5	1.9	0		
PHF	.777	.000	.800	.000	.855	.375	.892	.756	.000	.845	.500	.000	.500	.000	.500	.425	.922	.583	.000	.927	.892





# MINNESOTA DEPT OF TRANSPORTATION

## TRAFFIC DATA COLLECTION - METRO

Little Canada Rd at Country Dr.  
 Ref.Pt.: (W of W ramps of I-35E)  
 JAMAR # 631 RE  
 TURN MOVEMENT COUNT

File Name : Little Canada Rd at Country Dr 2008  
 Site Code : 00000000  
 Start Date : 12/3/2008  
 Page No : 4

Start Time	Country Dr (Frontage Rd) Southbound					Little Canada Rd. Westbound					Gas Station entrance Northbound					Little Canada Rd. Eastbound					Int. Total
	Left	Thru	Right	Peds	App. Total	Left	Thru	Right	Peds	App. Total	Left	Thru	Right	Peds	App. Total	Left	Thru	Right	Peds	App. Total	
16:00	81	0	8	0	89	0	166	58	0	224	0	0	0	0	0	5	162	0	0	167	480
16:15	58	0	5	0	63	0	164	38	0	202	0	0	0	0	0	5	167	0	0	172	437
16:30	86	2	8	0	96	4	117	40	0	161	0	0	3	0	3	8	170	4	0	182	442
16:45	46	1	12	0	59	2	141	41	0	184	1	1	8	0	10	4	182	2	0	188	441
Total Volume	271	3	33	0	307	6	588	177	0	771	1	1	11	0	13	22	681	6	0	709	1800
% App. Total	88.3	1	10.7	0		0.8	76.3	23	0		7.7	7.7	84.6	0		3.1	96.1	0.8	0		
PHF	.788	.375	.688	.000	.799	.375	.886	.763	.000	.860	.250	.250	.344	.000	.325	.688	.935	.375	.000	.943	.938

Peak Hour Analysis From 14:45 to 17:45 - Peak 1 of 1  
 Peak Hour for Entire Intersection Begins at 16:00

