



MINNESOTA DEPT OF TRANSPORTATION

TRAFFIC DATA COLLECTION - METRO

I-35W AT W 94TH ST., EAST RAMPS
 REF.PT.: 006.738
 JAMAR # 631 RE
 TURN MOVEMENT COUNT

File Name : I-35W AT W 94TH ST east ramps 2007
 Site Code : 00000000
 Start Date : 6/14/2007
 Page No : 1

Groups Printed- Cars & Trucks

Start Time	ramp to I-35W NB Southbound				W 94TH ST. Westbound				ramp from I-35W NB Northbound				W 94TH ST. Eastbound				Int. Total
	Left	Thru	Right	Peds	Left	Thru	Right	Peds	Left	Thru	Right	Peds	Left	Thru	Right	Peds	
06:00	0	0	0	0	0	10	13	0	29	2	13	0	25	21	0	0	113
06:15	0	0	0	0	0	24	28	1	22	1	21	0	26	34	0	0	157
06:30	0	0	0	0	0	22	24	1	32	8	29	1	31	38	0	1	187
06:45	0	0	0	0	0	35	24	2	43	9	26	0	23	53	0	0	215
Total	0	0	0	0	0	91	89	4	126	20	89	1	105	146	0	1	672
07:00	0	0	0	0	0	34	26	0	39	2	16	0	34	68	0	1	220
07:15	0	0	0	0	0	53	23	0	43	4	26	0	40	67	0	1	257
07:30	0	0	0	0	0	50	25	1	47	6	31	0	39	68	0	1	268
07:45	0	0	0	0	0	64	33	1	73	7	22	0	32	75	0	1	308
Total	0	0	0	0	0	201	107	2	202	19	95	0	145	278	0	4	1053
08:00	0	0	0	0	0	43	37	0	59	5	32	0	36	57	0	0	269
08:15	0	0	0	0	0	58	25	0	70	13	34	0	30	62	0	2	294
08:30	0	0	0	0	0	42	29	0	53	12	29	0	41	51	0	5	262
08:45	0	0	0	0	0	51	39	1	45	13	26	0	41	68	0	1	285
Total	0	0	0	0	0	194	130	1	227	43	121	0	148	238	0	8	1110
*** BREAK ***																	
14:30	0	0	0	0	0	53	40	0	22	3	20	0	83	70	0	0	291
14:45	0	0	0	0	0	59	35	4	7	3	17	0	55	87	0	0	267
Total	0	0	0	0	0	112	75	4	29	6	37	0	138	157	0	0	558
15:00	0	0	0	0	0	52	37	0	9	2	23	0	110	78	0	1	312
15:15	0	0	0	0	0	41	24	2	12	2	19	0	66	81	0	0	247
15:30	0	0	0	0	0	59	34	1	6	0	14	0	110	92	0	0	316
15:45	0	0	0	0	0	57	36	0	11	1	14	0	101	95	0	0	315
Total	0	0	0	0	0	209	131	3	38	5	70	0	387	346	0	1	1190
16:00	0	0	0	0	0	82	43	1	14	2	17	0	117	97	0	1	374
16:15	0	0	0	0	0	61	38	0	11	2	12	0	90	89	0	5	308
16:30	0	0	0	0	0	56	34	0	8	3	16	0	123	130	0	3	373
16:45	0	0	0	0	0	65	32	0	8	2	12	0	111	110	0	2	342
Total	0	0	0	0	0	264	147	1	41	9	57	0	441	426	0	11	1397
17:00	0	0	0	0	0	68	45	0	10	1	10	0	100	118	0	0	352
17:15	0	0	0	0	0	63	44	1	8	3	20	0	80	105	0	0	324
17:30	0	0	0	0	0	55	27	0	7	1	20	0	69	104	0	0	283
17:45	0	0	0	0	0	55	34	0	8	4	21	0	58	73	0	2	255
Total	0	0	0	0	0	241	150	1	33	9	71	0	307	400	0	2	1214
Grand Total	0	0	0	0	0	1312	829	16	696	111	540	1	1671	1991	0	27	7194
Apprch %	0	0	0	0	0	60.8	38.4	0.7	51.6	8.2	40.1	0.1	45.3	54	0	0.7	
Total %	0	0	0	0	0	18.2	11.5	0.2	9.7	1.5	7.5	0	23.2	27.7	0	0.4	



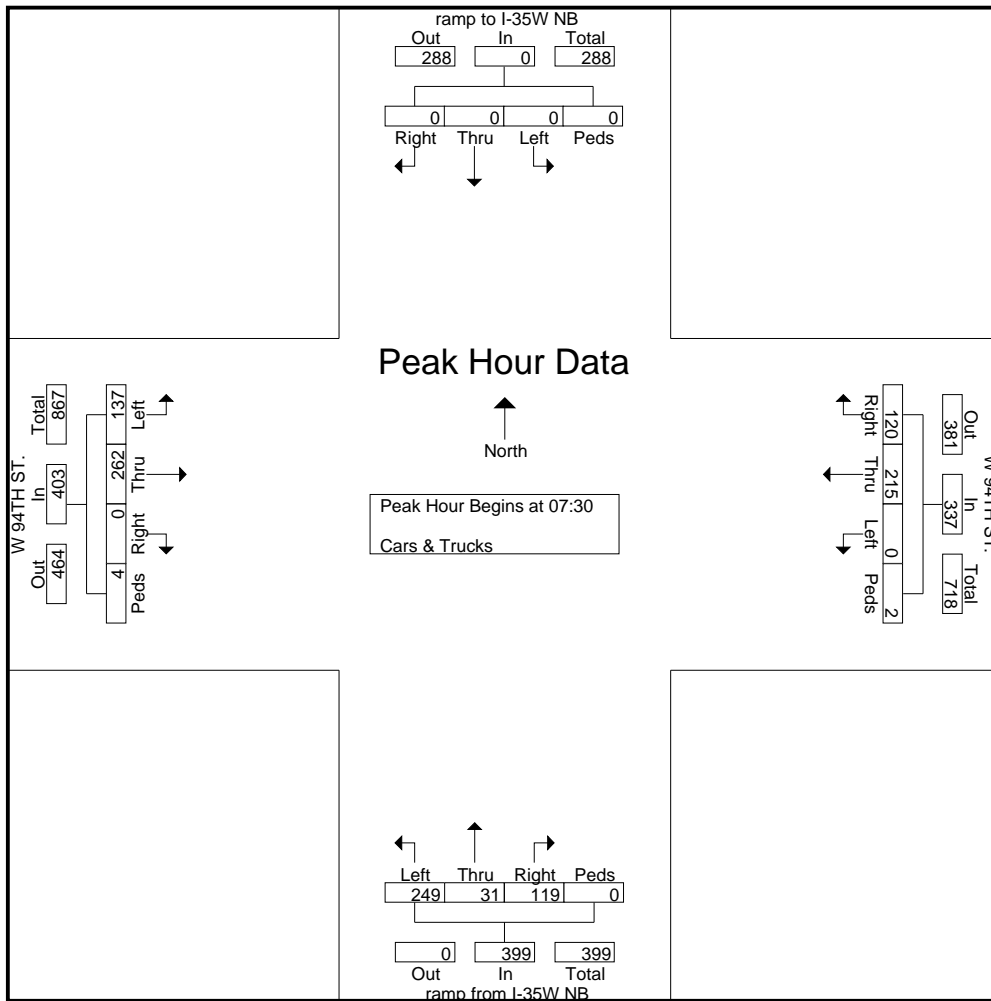
MINNESOTA DEPT OF TRANSPORTATION

TRAFFIC DATA COLLECTION - METRO

I-35W AT W 94TH ST., EAST RAMP
 REF.PT.: 006.738
 JAMAR # 631 RE
 TURN MOVEMENT COUNT

File Name : I-35W AT W 94TH ST east ramps 2007
 Site Code : 00000000
 Start Date : 6/14/2007
 Page No : 2

Start Time	ramp to I-35W NB Southbound					W 94TH ST. Westbound					ramp from I-35W NB Northbound					W 94TH ST. Eastbound					Int. Total
	Left	Thru	Right	Peds	App. Total	Left	Thru	Right	Peds	App. Total	Left	Thru	Right	Peds	App. Total	Left	Thru	Right	Peds	App. Total	
Peak Hour Analysis From 06:00 to 08:45 - Peak 1 of 1																					
Peak Hour for Entire Intersection Begins at 07:30																					
07:30	0	0	0	0	0	0	50	25	1	76	47	6	31	0	84	39	68	0	1	108	268
07:45	0	0	0	0	0	0	64	33	1	98	73	7	22	0	102	32	75	0	1	108	308
08:00	0	0	0	0	0	0	43	37	0	80	59	5	32	0	96	36	57	0	0	93	269
08:15	0	0	0	0	0	0	58	25	0	83	70	13	34	0	117	30	62	0	2	94	294
Total Volume	0	0	0	0	0	0	215	120	2	337	249	31	119	0	399	137	262	0	4	403	1139
% App. Total																					
PHF	.000	.000	.000	.000	.000	.000	.840	.811	.500	.860	.853	.596	.875	.000	.853	.878	.873	.000	.500	.933	.925





MINNESOTA DEPT OF TRANSPORTATION

TRAFFIC DATA COLLECTION - METRO

I-35W AT W 94TH ST., EAST RAMP
 REF.PT.: 006.738
 JAMAR # 631 RE
 TURN MOVEMENT COUNT

File Name : I-35W AT W 94TH ST east ramps 2007
 Site Code : 00000000
 Start Date : 6/14/2007
 Page No : 3

Start Time	ramp to I-35W NB Southbound					W 94TH ST. Westbound					ramp from I-35W NB Northbound					W 94TH ST. Eastbound					Int. Total
	Left	Thru	Right	Peds	App. Total	Left	Thru	Right	Peds	App. Total	Left	Thru	Right	Peds	App. Total	Left	Thru	Right	Peds	App. Total	
Peak Hour Analysis From 14:30 to 17:45 - Peak 1 of 1																					
Peak Hour for Entire Intersection Begins at 16:00																					
16:00	0	0	0	0	0	0	82	43	1	126	14	2	17	0	33	117	97	0	1	215	374
16:15	0	0	0	0	0	0	61	38	0	99	11	2	12	0	25	90	89	0	5	184	308
16:30	0	0	0	0	0	0	56	34	0	90	8	3	16	0	27	123	130	0	3	256	373
16:45	0	0	0	0	0	0	65	32	0	97	8	2	12	0	22	111	110	0	2	223	342
Total Volume	0	0	0	0	0	0	264	147	1	412	41	9	57	0	107	441	426	0	11	878	1397
% App. Total																					
PHF	.000	.000	.000	.000	.000	.000	.805	.855	.250	.817	.732	.750	.838	.000	.811	.896	.819	.000	.550	.857	.934

