

Albeck Gerken, Inc

Transportation Engineers

Traffic Data Collection

I-394 at Xenia Ave S., N ramps

Ref.Pt.: 005.413

Data by: Albeck Gerken Inc

TURN MOVEMENT COUNT

File Name : I-394 at Xenia Ave N ramps 2007

Site Code : 00182712

Start Date : 4/10/2007

Page No : 1

Groups Printed- Unshifted

Start Time	Xenia Ave S. Southbound				ramp from WB I-394 Westbound				Xenia Ave S. Northbound				ramp to WB I-394 Eastbound				Int. Total
	Left	Thru	Right	Peds	Left	Thru	Right	Peds	Left	Thru	Right	Peds	Left	Thru	Right	Peds	
06:00	0	14	2	0	31	0	39	0	6	17	0	0	0	0	0	0	109
06:15	0	23	7	0	34	0	51	0	5	26	0	0	0	0	0	0	146
06:30	0	30	16	0	65	0	49	0	13	42	0	0	0	0	0	0	215
06:45	0	40	9	0	129	0	117	0	12	41	0	0	0	0	0	0	348
Total	0	107	34	0	259	0	256	0	36	126	0	0	0	0	0	0	818
07:00	0	52	15	1	86	0	106	1	20	70	0	0	0	0	0	1	352
07:15	0	69	25	0	124	0	130	1	23	52	0	0	0	0	0	1	425
07:30	0	67	32	0	142	0	145	0	25	74	0	0	0	0	0	0	485
07:45	0	106	24	0	148	1	161	0	41	107	0	0	0	0	0	0	588
Total	0	294	96	1	500	1	542	2	109	303	0	0	0	0	0	2	1850
08:00	0	99	23	1	183	0	182	1	25	102	0	0	0	0	0	0	616
08:15	0	87	40	1	137	0	141	3	28	89	0	0	0	0	0	0	526
08:30	0	72	28	1	134	0	138	1	25	71	0	0	0	0	0	0	470
08:45	0	74	18	0	104	0	123	0	22	88	0	0	0	0	0	0	429
Total	0	332	109	3	558	0	584	5	100	350	0	0	0	0	0	0	2041
*** BREAK ***																	
11:00	0	110	29	0	108	3	57	0	60	57	0	0	0	0	0	0	424
11:15	0	118	35	0	131	1	66	1	70	81	0	0	0	0	0	0	503
11:30	0	117	33	0	123	1	69	2	57	80	0	0	0	0	0	0	482
11:45	0	126	35	0	117	0	53	0	73	96	0	0	0	0	0	0	500
Total	0	471	132	0	479	5	245	3	260	314	0	0	0	0	0	0	1909
12:00	0	125	43	0	112	0	67	0	88	88	0	0	0	0	0	0	523
12:15	0	131	30	0	130	0	44	0	73	93	0	0	0	0	0	0	501
12:30	0	115	26	0	113	1	53	1	95	104	0	0	0	0	0	0	508
12:45	0	116	18	0	120	0	57	1	93	95	0	0	0	0	0	0	500
Total	0	487	117	0	475	1	221	2	349	380	0	0	0	0	0	0	2032
*** BREAK ***																	
15:00	0	124	34	0	83	0	35	3	67	61	0	0	0	0	0	0	407
15:15	0	101	41	1	80	1	44	1	71	38	0	0	0	0	0	1	379
15:30	0	123	45	0	88	0	29	1	80	52	0	0	0	0	0	1	419
15:45	0	117	24	0	98	0	52	0	68	71	0	0	0	0	0	0	430
Total	0	465	144	1	349	1	160	5	286	222	0	0	0	0	0	2	1635
16:00	0	181	68	0	80	0	30	0	98	77	0	0	0	0	0	2	536
16:15	0	144	52	0	82	1	37	0	75	73	0	0	0	0	0	0	464
16:30	0	191	47	0	92	1	33	0	87	71	0	0	0	0	0	0	522
16:45	0	148	57	0	98	1	45	0	77	92	0	0	0	0	0	1	519
Total	0	664	224	0	352	3	145	0	337	313	0	0	0	0	0	3	2041
17:00	0	223	78	0	90	0	34	1	90	92	0	0	0	0	0	1	609
17:15	0	178	55	0	96	1	45	0	92	80	0	0	0	0	0	1	548
17:30	0	144	52	0	76	0	37	1	94	65	0	0	0	0	0	1	470
17:45	0	162	49	0	88	1	28	0	56	61	0	0	0	0	0	0	445
Total	0	707	234	0	350	2	144	2	332	298	0	0	0	0	0	3	2072
Grand Total	0	3527	1090	5	3322	13	2297	19	1809	2306	0	0	0	0	0	10	14398
Apprch %	0	76.3	23.6	0.1	58.8	0.2	40.6	0.3	44	56	0	0	0	0	0	100	
Total %	0	24.5	7.6	0	23.1	0.1	16	0.1	12.6	16	0	0	0	0	0	0.1	

Albeck Gerken, Inc

Transportation Engineers

Traffic Data Collection

I-394 at Xenia Ave S., N ramps

Ref.Pt.: 005.413

Data by: Albeck Gerken Inc

TURN MOVEMENT COUNT

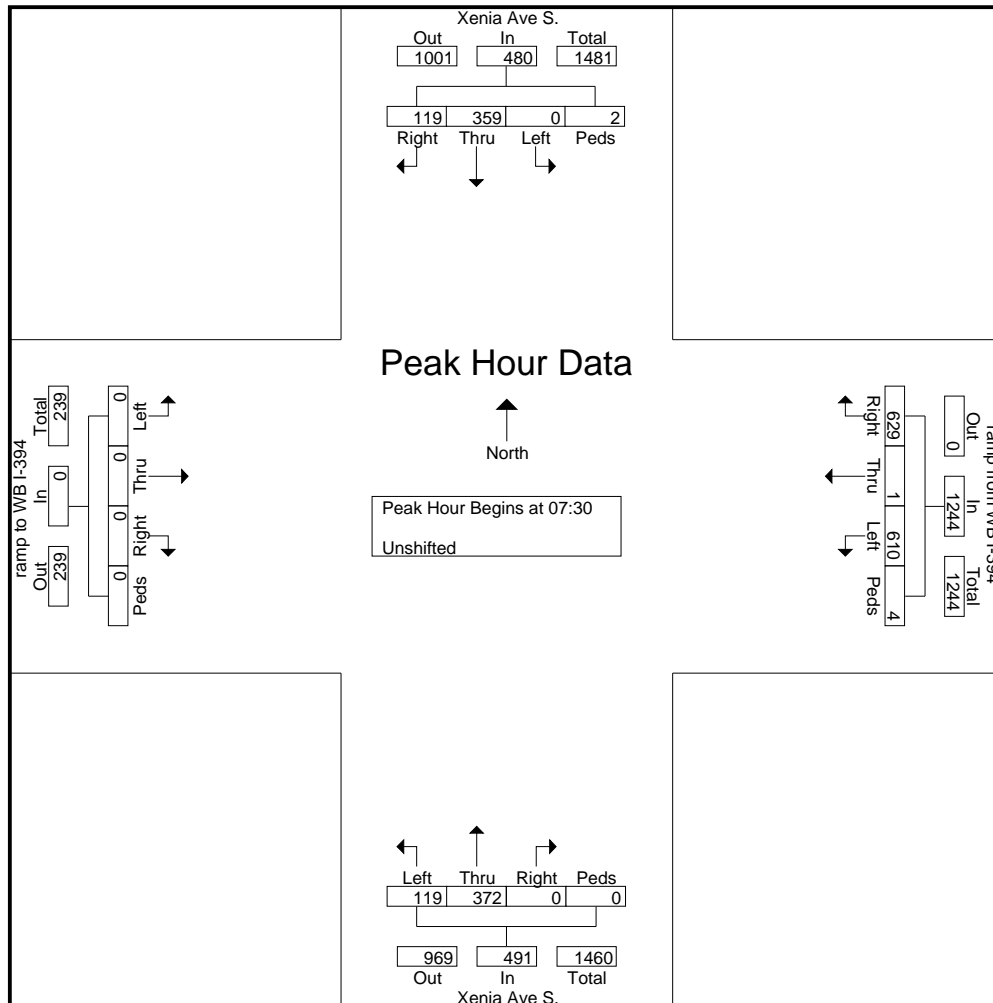
File Name : I-394 at Xenia Ave N ramps 2007

Site Code : 00182712

Start Date : 4/10/2007

Page No : 2

Start Time	Xenia Ave S. Southbound					ramp from WB I-394 Westbound					Xenia Ave S. Northbound					ramp to WB I-394 Eastbound					Int. Total
	Left	Thru	Right	Peds	App. Total	Left	Thru	Right	Peds	App. Total	Left	Thru	Right	Peds	App. Total	Left	Thru	Right	Peds	App. Total	
Peak Hour Analysis From 06:00 to 08:45 - Peak 1 of 1																					
Peak Hour for Entire Intersection Begins at 07:30																					
07:30	0	67	32	0	99	142	0	145	0	287	25	74	0	0	99	0	0	0	0	0	485
07:45	0	106	24	0	130	148	1	161	0	310	41	107	0	0	148	0	0	0	0	0	588
08:00	0	99	23	1	123	183	0	182	1	366	25	102	0	0	127	0	0	0	0	0	616
08:15	0	87	40	1	128	137	0	141	3	281	28	89	0	0	117	0	0	0	0	0	526
Total Volume	0	359	119	2	480	610	1	629	4	1244	119	372	0	0	491	0	0	0	0	0	2215
% App. Total	0	74.8	24.8	0.4		49	0.1	50.6	0.3		24.2	75.8	0	0		0	0	0	0		
PHF	.000	.847	.744	.500	.923	.833	.250	.864	.333	.850	.726	.869	.000	.000	.829	.000	.000	.000	.000	.000	.899



Albeck Gerken, Inc

Transportation Engineers

Traffic Data Collection

I-394 at Xenia Ave S., N ramps

Ref.Pt.: 005.413

Data by: Albeck Gerken Inc

TURN MOVEMENT COUNT

File Name : I-394 at Xenia Ave N ramps 2007

Site Code : 00182712

Start Date : 4/10/2007

Page No : 3

Start Time	Xenia Ave S. Southbound					ramp from WB I-394 Westbound					Xenia Ave S. Northbound					ramp to WB I-394 Eastbound					Int. Total
	Left	Thru	Right	Peds	App. Total	Left	Thru	Right	Peds	App. Total	Left	Thru	Right	Peds	App. Total	Left	Thru	Right	Peds	App. Total	
Peak Hour Analysis From 15:00 to 17:45 - Peak 1 of 1																					
Peak Hour for Entire Intersection Begins at 16:30																					
16:30	0	191	47	0	238	92	1	33	0	126	87	71	0	0	158	0	0	0	0	0	522
16:45	0	148	57	0	205	98	1	45	0	144	77	92	0	0	169	0	0	0	1	1	519
17:00	0	223	78	0	301	90	0	34	1	125	90	92	0	0	182	0	0	0	1	1	609
17:15	0	178	55	0	233	96	1	45	0	142	92	80	0	0	172	0	0	0	1	1	548
Total Volume	0	740	237	0	977	376	3	157	1	537	346	335	0	0	681	0	0	0	3	3	2198
% App. Total	0	75.7	24.3	0		70	0.6	29.2	0.2		50.8	49.2	0	0		0	0	0	100		
PHF	.000	.830	.760	.000	.811	.959	.750	.872	.250	.932	.940	.910	.000	.000	.935	.000	.000	.000	.750	.750	.902

