



MINNESOTA DEPT OF TRANSPORTATION

TRAFFIC DATA COLLECTION - METRO

I-394 at Xenia Ave/Park PI Blvd, S ramps

Ref.Pt.: 005.370

video MR

TURN MOVEMENT COUNT

File Name : I-394 at Xenia Ave So Ramp 2013

Site Code :

Start Date : 8/21/2013

Page No : 1

Groups Printed- Cars +

Start Time	Park Place Blvd Southbound				ramp to EB I-394 Westbound				Xenia Ave Northbound				ramp from EB I-394 Eastbound				Int. Total
	Right	Thru	Left	Peds	Right	Thru	Left	Peds	Right	Thru	Left	Peds	Right	Thru	Left	Peds	
06:00	0	35	5	0	0	0	0	1	24	14	0	0	29	0	15	0	123
06:15	0	47	5	0	0	0	0	1	16	21	0	0	29	1	22	0	142
06:30	0	74	18	0	0	0	0	2	28	20	0	0	64	1	27	0	234
06:45	0	105	14	0	0	0	0	1	41	43	0	0	63	0	44	0	311
Total	0	261	42	0	0	0	0	5	109	98	0	0	185	2	108	0	810
07:00	0	104	23	0	0	0	0	3	54	41	0	0	63	0	31	0	319
07:15	0	119	33	0	0	0	0	0	79	62	0	0	54	1	45	0	393
07:30	0	151	23	0	0	0	0	3	79	62	0	0	67	0	57	1	443
07:45	0	175	20	0	0	0	0	3	71	76	0	0	102	3	60	1	511
Total	0	549	99	0	0	0	0	9	283	241	0	0	286	4	193	2	1666
08:00	1	172	33	0	0	0	0	3	85	98	0	0	104	3	62	1	562
08:15	0	178	41	0	0	0	0	1	59	76	0	0	73	1	40	1	470
08:30	0	164	37	0	0	0	0	1	57	74	0	0	97	5	53	1	489
08:45	0	168	37	0	0	0	0	7	61	60	0	0	93	3	56	0	485
Total	1	682	148	0	0	0	0	12	262	308	0	0	367	12	211	3	2006
***** BREAK *****																	
11:00	0	184	50	0	0	0	0	0	120	125	0	0	110	7	21	1	618
11:15	0	237	56	0	0	0	0	2	126	131	0	0	120	5	31	0	708
11:30	0	267	67	0	0	0	0	3	156	134	0	0	110	7	20	1	765
11:45	0	214	58	0	0	0	0	1	151	152	0	1	112	8	13	2	712
Total	0	902	231	0	0	0	0	6	553	542	0	1	452	27	85	4	2803
12:00	0	218	59	0	0	0	0	3	143	164	0	0	120	4	17	0	728
12:15	0	204	63	0	0	0	0	2	164	181	0	0	118	6	18	0	756
12:30	0	221	62	0	0	0	0	3	157	148	0	0	126	3	29	5	754
12:45	0	189	45	0	0	0	0	3	191	208	0	0	122	12	34	4	808
Total	0	832	229	0	0	0	0	11	655	701	0	0	486	25	98	9	3046
***** BREAK *****																	
15:00	0	139	77	0	0	0	0	0	173	135	0	0	95	7	13	0	639
15:15	0	144	68	0	0	0	0	0	154	152	0	0	94	12	10	0	634
15:30	0	174	70	0	0	0	0	0	133	126	0	0	103	23	25	0	654
15:45	0	161	66	0	0	0	0	0	149	164	0	0	108	33	17	0	698
Total	0	618	281	0	0	0	0	0	609	577	0	0	400	75	65	0	2625
16:00	0	172	109	0	0	0	0	0	155	178	0	0	93	24	17	0	748
16:15	0	199	97	0	0	0	0	0	139	154	0	0	91	21	19	0	720
16:30	0	201	80	0	0	0	0	0	162	140	0	0	129	30	23	0	765
16:45	0	249	79	0	0	0	0	0	144	184	0	0	148	29	31	0	864
Total	0	821	365	0	0	0	0	0	600	656	0	0	461	104	90	0	3097
17:00	0	248	96	0	0	0	0	0	168	207	0	0	120	18	24	0	881
17:15	0	246	78	0	0	0	0	0	148	194	0	0	153	33	28	0	880
17:30	0	222	66	0	0	0	0	0	154	174	0	0	143	21	17	0	797
17:45	0	236	50	0	0	0	0	0	120	147	0	0	119	2	20	0	694
Total	0	952	290	0	0	0	0	0	590	722	0	0	535	74	89	0	3252
Grand Total	1	5617	1685	0	0	0	0	43	3661	3845	0	1	3172	323	939	18	19305
Apprch %	0	76.9	23.1	0	0	0	0	100	48.8	51.2	0	0	71.2	7.3	21.1	0.4	
Total %	0	29.1	8.7	0	0	0	0	0.2	19	19.9	0	0	16.4	1.7	4.9	0.1	



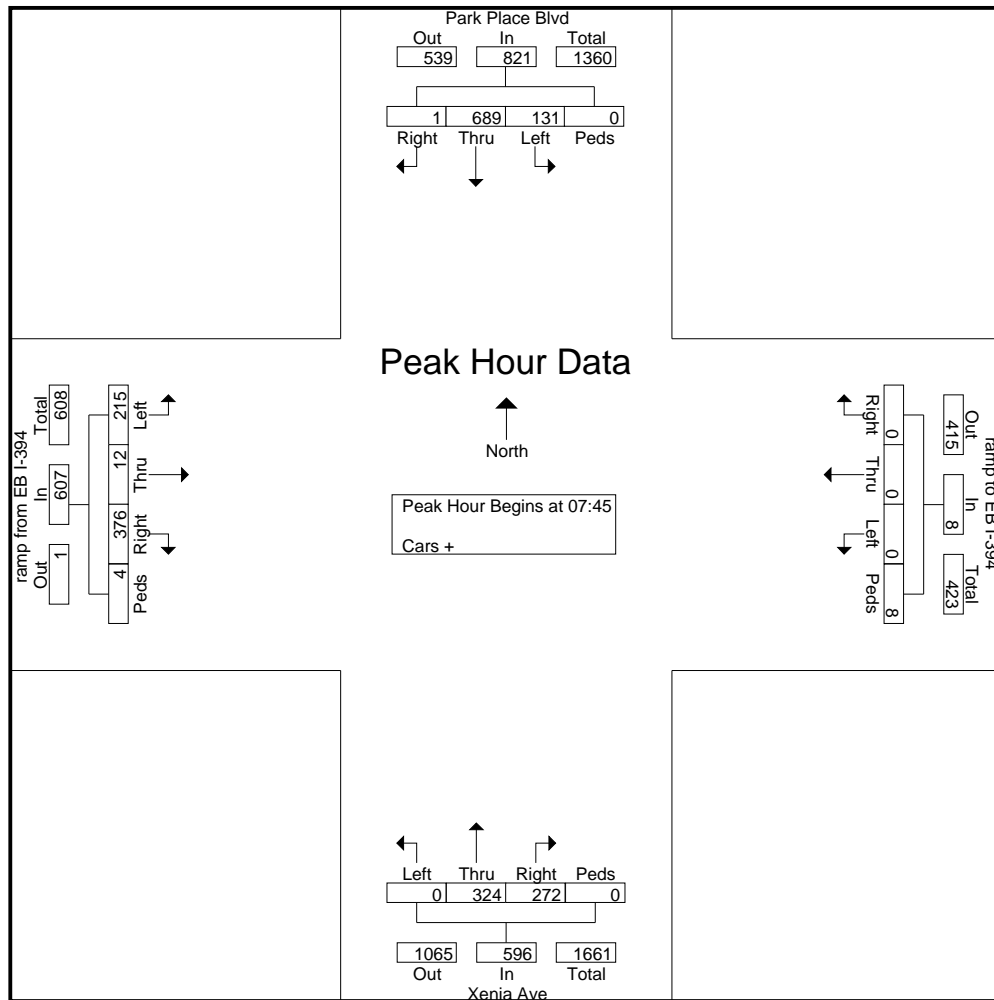
MINNESOTA DEPT OF TRANSPORTATION

TRAFFIC DATA COLLECTION - METRO

I-394 at Xenia Ave/Park PI Blvd, S ramps
 Ref.Pt.: 005.370
 video MR
 TURN MOVEMENT COUNT

File Name : I-394 at Xenia Ave So Ramp 2013
 Site Code :
 Start Date : 8/21/2013
 Page No : 2

Start Time	Park Place Blvd Southbound					ramp to EB I-394 Westbound					Xenia Ave Northbound					ramp from EB I-394 Eastbound					Int. Total
	Right	Thru	Left	Peds	App. Total	Right	Thru	Left	Peds	App. Total	Right	Thru	Left	Peds	App. Total	Right	Thru	Left	Peds	App. Total	
Peak Hour Analysis From 06:00 to 08:45 - Peak 1 of 1																					
Peak Hour for Entire Intersection Begins at 07:45																					
07:45	0	175	20	0	195	0	0	0	3	3	71	76	0	0	147	102	3	60	1	166	511
08:00	1	172	33	0	206	0	0	0	3	3	85	98	0	0	183	104	3	62	1	170	562
08:15	0	178	41	0	219	0	0	0	1	1	59	76	0	0	135	73	1	40	1	115	470
08:30	0	164	37	0	201	0	0	0	1	1	57	74	0	0	131	97	5	53	1	156	489
Total Volume	1	689	131	0	821	0	0	0	8	8	272	324	0	0	596	376	12	215	4	607	2032
% App. Total	0.1	83.9	16	0		0	0	0	100		45.6	54.4	0	0		61.9	2	35.4	0.7		
PHF	.250	.968	.799	.000	.937	.000	.000	.000	.667	.667	.800	.827	.000	.000	.814	.904	.600	.867	1.000		





MINNESOTA DEPT OF TRANSPORTATION

TRAFFIC DATA COLLECTION - METRO

I-394 at Xenia Ave/Park PI Blvd, S ramps
 Ref.Pt.: 005.370
 video MR
 TURN MOVEMENT COUNT

File Name : I-394 at Xenia Ave So Ramp 2013
 Site Code :
 Start Date : 8/21/2013
 Page No : 3

Start Time	Park Place Blvd Southbound					ramp to EB I-394 Westbound					Xenia Ave Northbound					ramp from EB I-394 Eastbound					Int. Total
	Right	Thru	Left	Peds	App. Total	Right	Thru	Left	Peds	App. Total	Right	Thru	Left	Peds	App. Total	Right	Thru	Left	Peds	App. Total	
Peak Hour Analysis From 15:00 to 17:45 - Peak 1 of 1																					
Peak Hour for Entire Intersection Begins at 16:45																					
16:45	0	249	79	0	328	0	0	0	0	0	144	184	0	0	328	148	29	31	0	208	864
17:00	0	248	96	0	344	0	0	0	0	0	168	207	0	0	375	120	18	24	0	162	881
17:15	0	246	78	0	324	0	0	0	0	0	148	194	0	0	342	153	33	28	0	214	880
17:30	0	222	66	0	288	0	0	0	0	0	154	174	0	0	328	143	21	17	0	181	797
Total Volume	0	965	319	0	1284	0	0	0	0	0	614	759	0	0	1373	564	101	100	0	765	3422
% App. Total	0	75.2	24.8	0		0	0	0	0	0	44.7	55.3	0	0		73.7	13.2	13.1	0		
PHF	.000	.969	.831	.000	.933	.000	.000	.000	.000	.000	.914	.917	.000	.000	.915	.922	.765	.806	.000	.894	.971

