

ALLIANT ENGINEERING, INC.

733 S Marquette Ave #700, Minneapolis, MN 55402

Park Place Blvd & 16th St
 City: St. Louis Park
 data by: Alliant Engineering, Inc.
 TURN MOVEMENT COUNT

File Name : Park Place Blvd & 16th St_2021
 Site Code : 1735824
 Start Date : 10/27/2021
 Page No : 1

Groups Printed- Cars - Trucks

Start Time	Park Place Blvd Southbound					16th St Westbound					Park Place Blvd Northbound					16th St Eastbound					Int. Total
	Left	Thru	Right	Peds	App. Total	Left	Thru	Right	Peds	App. Total	Left	Thru	Right	Peds	App. Total	Left	Thru	Right	Peds	App. Total	
06:00 AM	8	27	14	0	49	0	2	0	0	2	0	18	2	0	20	6	0	1	0	7	78
06:15 AM	5	25	13	0	43	2	1	6	0	9	3	15	6	0	24	14	1	2	0	17	93
06:30 AM	16	27	8	0	51	6	2	10	0	18	2	30	4	0	36	13	1	1	0	15	120
06:45 AM	35	47	25	0	107	2	0	5	0	7	2	31	2	0	35	13	2	1	2	18	167
Total	64	126	60	0	250	10	5	21	0	36	7	94	14	0	115	46	4	5	2	57	458
07:00 AM	18	36	25	0	79	7	4	14	1	26	1	26	11	1	39	18	5	5	0	28	172
07:15 AM	26	48	17	1	92	1	4	19	0	24	4	50	6	0	60	17	2	2	0	21	197
07:30 AM	22	61	36	4	123	7	2	10	2	21	2	53	7	0	62	29	6	3	3	41	247
07:45 AM	23	62	34	4	123	2	2	17	0	21	7	53	6	0	66	31	4	6	1	42	252
Total	89	207	112	9	417	17	12	60	3	92	14	182	30	1	227	95	17	16	4	132	868
08:00 AM	36	86	42	2	166	6	5	29	1	41	4	64	4	0	72	39	7	4	0	50	329
08:15 AM	27	55	45	0	127	2	6	25	2	35	3	59	7	2	71	18	7	1	1	27	260
08:30 AM	25	68	40	4	137	6	9	17	1	33	3	41	16	1	61	37	8	4	1	50	281
08:45 AM	31	70	59	2	162	4	12	15	0	31	2	52	11	1	66	23	5	2	0	30	289
Total	119	279	186	8	592	18	32	86	4	140	12	216	38	4	270	117	27	11	2	157	1159
09:00 AM	25	69	46	0	140	2	7	15	0	24	3	40	7	1	51	31	3	4	0	38	253
09:15 AM	27	78	59	0	164	2	5	12	0	19	6	62	11	2	81	33	6	4	1	44	308
*** BREAK ***																					
Total	52	147	105	0	304	4	12	27	0	43	9	102	18	3	132	64	9	8	1	82	561
*** BREAK ***																					
10:30 AM	22	81	78	2	183	7	3	19	1	30	4	68	10	0	82	62	6	4	2	74	369
10:45 AM	37	85	94	0	216	5	11	33	0	49	2	86	25	0	113	83	11	5	0	99	477
Total	59	166	172	2	399	12	14	52	1	79	6	154	35	0	195	145	17	9	2	173	846
11:00 AM	39	82	92	0	213	10	10	36	0	56	4	92	19	1	116	85	9	4	1	99	484
11:15 AM	72	89	111	0	272	4	18	37	2	61	5	90	16	1	112	88	16	6	0	110	555
11:30 AM	53	104	88	0	245	12	14	28	1	55	6	98	18	3	125	104	29	4	0	137	562
11:45 AM	58	83	115	4	260	13	18	29	0	60	6	83	21	6	116	108	25	8	3	144	580
Total	222	358	406	4	990	39	60	130	3	232	21	363	74	11	469	385	79	22	4	490	2181
12:00 PM	39	87	99	2	227	6	20	47	0	73	6	97	21	4	128	117	19	10	1	147	575
12:15 PM	48	90	106	1	245	12	19	40	4	75	8	84	22	4	118	137	23	13	3	176	614
12:30 PM	35	109	113	1	258	12	11	47	0	70	5	91	22	2	120	136	12	6	3	157	605
12:45 PM	39	87	100	2	228	11	19	69	0	99	4	108	20	3	135	118	21	4	0	143	605
Total	161	373	418	6	958	41	69	203	4	317	23	380	85	13	501	508	75	33	7	623	2399
*** BREAK ***																					
02:30 PM	17	75	86	1	179	7	16	42	0	65	5	90	13	1	109	121	13	11	1	146	499
02:45 PM	38	76	87	1	202	9	10	45	2	66	11	78	13	0	102	110	12	7	0	129	499
Total	55	151	173	2	381	16	26	87	2	131	16	168	26	1	211	231	25	18	1	275	998
03:00 PM	36	80	69	4	189	8	13	45	2	68	6	113	23	0	142	119	21	8	0	148	547
03:15 PM	48	97	87	0	232	11	11	48	1	71	7	101	19	0	127	90	13	3	0	106	536
03:30 PM	41	98	100	3	242	8	7	52	0	67	5	103	13	4	125	100	22	11	0	133	567
03:45 PM	55	109	98	0	262	10	16	41	0	67	7	86	19	0	112	102	18	9	0	129	570
Total	180	384	354	7	925	37	47	186	3	273	25	403	74	4	506	411	74	31	0	516	2220
04:00 PM	75	87	94	2	258	15	10	57	0	82	1	111	35	2	149	107	15	11	0	133	622
04:15 PM	52	79	86	0	217	8	18	64	0	90	6	100	31	2	139	79	23	4	0	106	552
04:30 PM	64	100	83	0	247	19	20	51	0	90	12	87	31	0	130	98	35	10	0	143	610

ALLIANT ENGINEERING, INC.

733 S Marquette Ave #700, Minneapolis, MN 55402

Park Place Blvd & 16th St
 City: St. Louis Park
 data by: Alliant Engineering, Inc.
 TURN MOVEMENT COUNT

File Name : Park Place Blvd & 16th St_2021
 Site Code : 1735824
 Start Date : 10/27/2021
 Page No : 2

Groups Printed- Cars - Trucks

Start Time	Park Place Blvd Southbound					16th St Westbound					Park Place Blvd Northbound					16th St Eastbound					Int. Total
	Left	Thru	Right	Peds	App. Total	Left	Thru	Right	Peds	App. Total	Left	Thru	Right	Peds	App. Total	Left	Thru	Right	Peds	App. Total	
04:45 PM	73	158	81	4	316	19	17	70	0	106	7	112	31	3	153	90	19	9	0	118	693
Total	264	424	344	6	1038	61	65	242	0	368	26	410	128	7	571	374	92	34	0	500	2477
05:00 PM	78	151	114	0	343	21	24	77	1	123	2	133	25	0	160	112	29	22	0	163	789
05:15 PM	99	130	103	2	334	14	32	71	0	117	9	110	40	0	159	89	27	8	0	124	734
05:30 PM	65	107	108	2	282	19	19	68	0	106	5	134	31	0	170	84	26	5	0	115	673
05:45 PM	66	72	70	7	215	14	20	66	2	102	6	115	42	0	163	91	23	5	0	119	599
Total	308	460	395	11	1174	68	95	282	3	448	22	492	138	0	652	376	105	40	0	521	2795
06:00 PM	63	76	83	4	226	11	15	79	0	105	4	99	26	2	131	136	27	4	0	167	629
06:15 PM	74	86	116	3	279	20	18	62	0	100	10	92	36	0	138	96	18	5	0	119	636
Grand Total	1710	3237	2924	62	7933	354	470	1517	23	2364	195	3155	722	46	4118	2984	569	236	23	3812	18227
Apprch %	21.6	40.8	36.9	0.8		15	19.9	64.2	1		4.7	76.6	17.5	1.1		78.3	14.9	6.2	0.6		
Total %	9.4	17.8	16	0.3	43.5	1.9	2.6	8.3	0.1	13	1.1	17.3	4	0.3	22.6	16.4	3.1	1.3	0.1	20.9	
Cars	1690	3178	2855	59	7782	326	464	1497	22	2309	191	3090	691	45	4017	2936	562	232	19	3749	17857
% Cars	98.8	98.2	97.6	95.2	98.1	92.1	98.7	98.7	95.7	97.7	97.9	97.9	95.7	97.8	97.5	98.4	98.8	98.3	82.6	98.3	98
Trucks	20	59	69	3	151	28	6	20	1	55	4	65	31	1	101	48	7	4	4	63	370
% Trucks	1.2	1.8	2.4	4.8	1.9	7.9	1.3	1.3	4.3	2.3	2.1	2.1	4.3	2.2	2.5	1.6	1.2	1.7	17.4	1.7	2

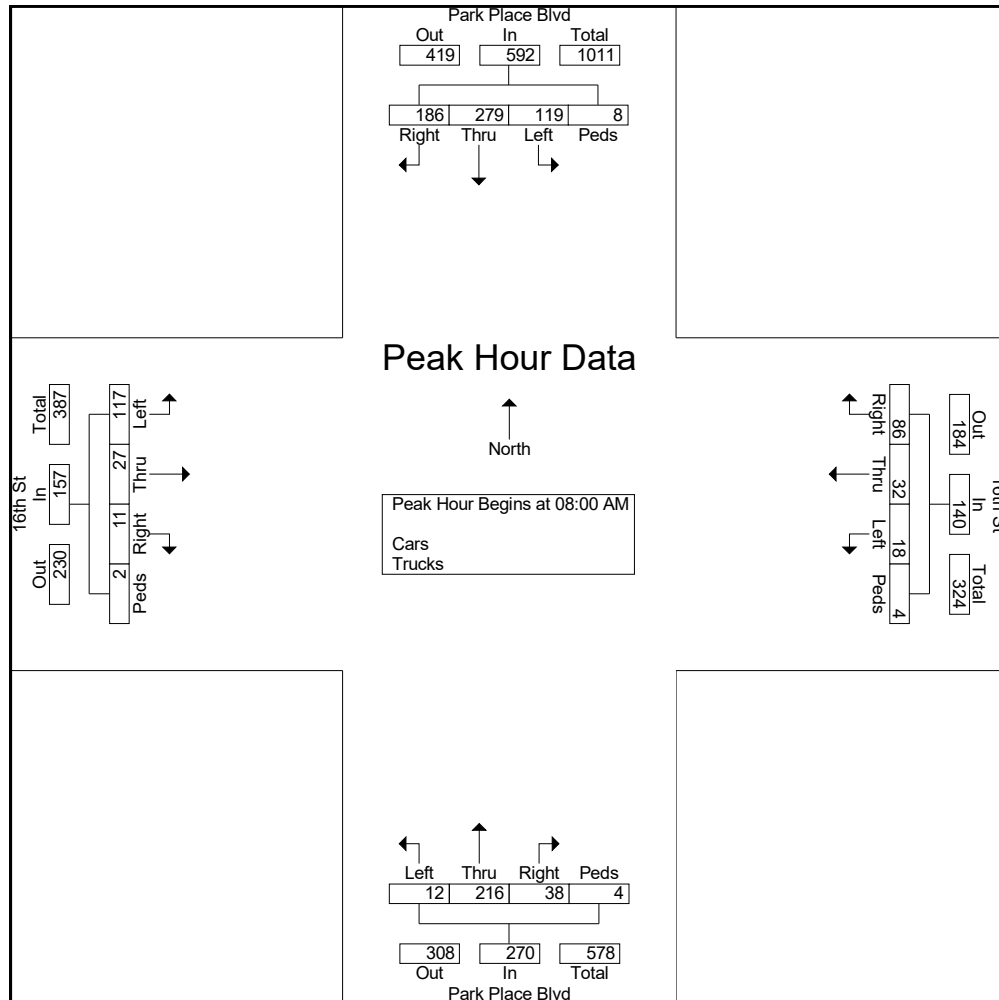
ALLIANT ENGINEERING, INC.

733 S Marquette Ave #700, Minneapolis, MN 55402

Park Place Blvd & 16th St
 City: St. Louis Park
 data by: Alliant Engineering, Inc.
 TURN MOVEMENT COUNT

File Name : Park Place Blvd & 16th St_2021
 Site Code : 1735824
 Start Date : 10/27/2021
 Page No : 3

Start Time	Park Place Blvd Southbound					16th St Westbound					Park Place Blvd Northbound					16th St Eastbound					Int. Total
	Left	Thru	Right	Peds	App. Total	Left	Thru	Right	Peds	App. Total	Left	Thru	Right	Peds	App. Total	Left	Thru	Right	Peds	App. Total	
Peak Hour Analysis From 06:00 AM to 09:45 AM - Peak 1 of 1																					
Peak Hour for Entire Intersection Begins at 08:00 AM																					
08:00 AM	36	86	42	2	166	6	5	29	1	41	4	64	4	0	72	39	7	4	0	50	329
08:15 AM	27	55	45	0	127	2	6	25	2	35	3	59	7	2	71	18	7	1	1	27	260
08:30 AM	25	68	40	4	137	6	9	17	1	33	3	41	16	1	61	37	8	4	1	50	281
08:45 AM	31	70	59	2	162	4	12	15	0	31	2	52	11	1	66	23	5	2	0	30	289
Total Volume	119	279	186	8	592	18	32	86	4	140	12	216	38	4	270	117	27	11	2	157	1159
% App. Total	20.1	47.1	31.4	1.4		12.9	22.9	61.4	2.9		4.4	80	14.1	1.5		74.5	17.2	7	1.3		
PHF	.826	.811	.788	.500	.892	.750	.667	.741	.500	.854	.750	.844	.594	.500	.938	.750	.844	.688	.500	.785	.881



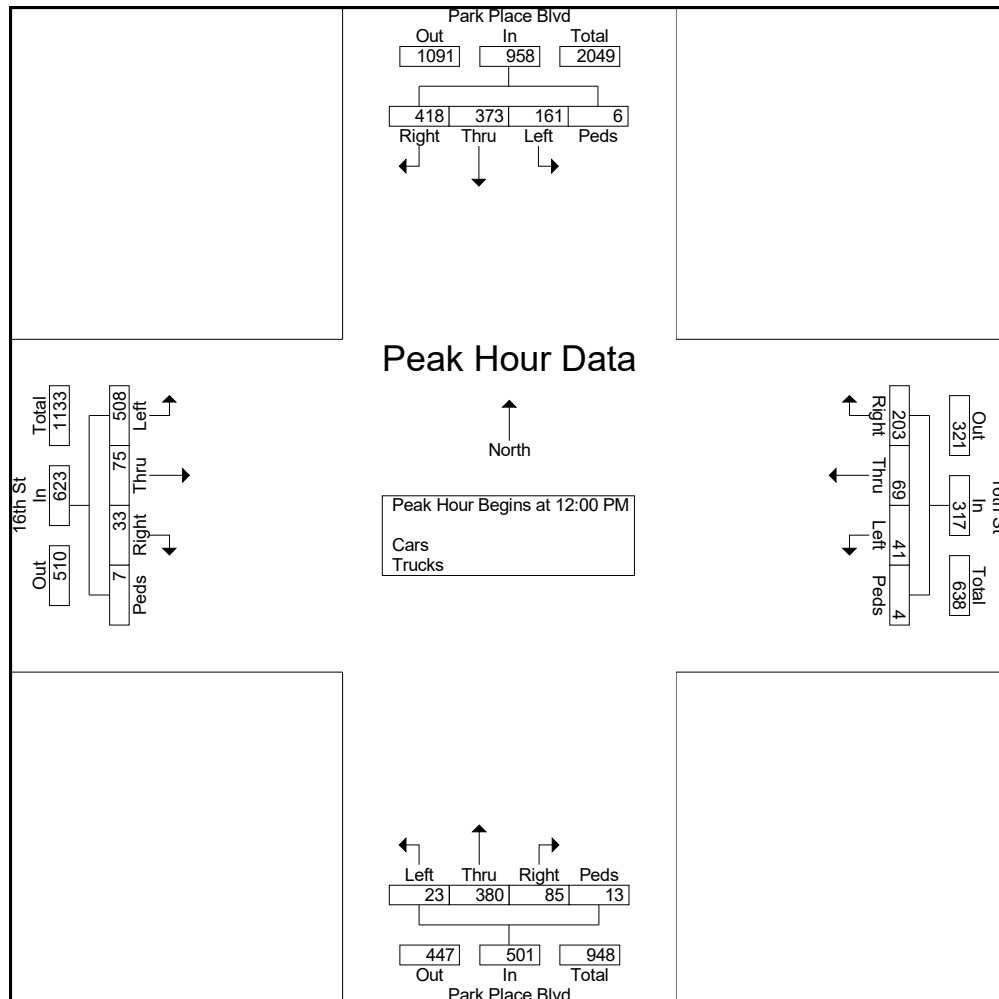
ALLIANT ENGINEERING, INC.

733 S Marquette Ave #700, Minneapolis, MN 55402

Park Place Blvd & 16th St
 City: St. Louis Park
 data by: Alliant Engineering, Inc.
 TURN MOVEMENT COUNT

File Name : Park Place Blvd & 16th St_2021
 Site Code : 1735824
 Start Date : 10/27/2021
 Page No : 4

Start Time	Park Place Blvd Southbound					16th St Westbound					Park Place Blvd Northbound					16th St Eastbound					Int. Total
	Left	Thru	Right	Peds	App. Total	Left	Thru	Right	Peds	App. Total	Left	Thru	Right	Peds	App. Total	Left	Thru	Right	Peds	App. Total	
Peak Hour Analysis From 10:00 AM to 01:45 PM - Peak 1 of 1																					
Peak Hour for Entire Intersection Begins at 12:00 PM																					
12:00 PM	39	87	99	2	227	6	20	47	0	73	6	97	21	4	128	117	19	10	1	147	575
12:15 PM	48	90	106	1	245	12	19	40	4	75	8	84	22	4	118	137	23	13	3	176	614
12:30 PM	35	109	113	1	258	12	11	47	0	70	5	91	22	2	120	136	12	6	3	157	605
12:45 PM	39	87	100	2	228	11	19	69	0	99	4	108	20	3	135	118	21	4	0	143	605
Total Volume	161	373	418	6	958	41	69	203	4	317	23	380	85	13	501	508	75	33	7	623	2399
% App. Total	16.8	38.9	43.6	0.6		12.9	21.8	64	1.3		4.6	75.8	17	2.6		81.5	12	5.3	1.1		
PHF	.839	.856	.925	.750	.928	.854	.863	.736	.250	.801	.719	.880	.966	.813	.928	.927	.815	.635	.583	.885	.977



ALLIANT ENGINEERING, INC.

733 S Marquette Ave #700, Minneapolis, MN 55402

Park Place Blvd & 16th St
 City: St. Louis Park
 data by: Alliant Engineering, Inc.
 TURN MOVEMENT COUNT

File Name : Park Place Blvd & 16th St_2021
 Site Code : 1735824
 Start Date : 10/27/2021
 Page No : 5

Start Time	Park Place Blvd Southbound					16th St Westbound					Park Place Blvd Northbound					16th St Eastbound					Int. Total
	Left	Thru	Right	Peds	App. Total	Left	Thru	Right	Peds	App. Total	Left	Thru	Right	Peds	App. Total	Left	Thru	Right	Peds	App. Total	
Peak Hour Analysis From 02:00 PM to 06:15 PM - Peak 1 of 1																					
Peak Hour for Entire Intersection Begins at 04:45 PM																					
04:45 PM	73	158	81	4	316	19	17	70	0	106	7	112	31	3	153	90	19	9	0	118	693
05:00 PM	78	151	114	0	343	21	24	77	1	123	2	133	25	0	160	112	29	22	0	163	789
05:15 PM	99	130	103	2	334	14	32	71	0	117	9	110	40	0	159	89	27	8	0	124	734
05:30 PM	65	107	108	2	282	19	19	68	0	106	5	134	31	0	170	84	26	5	0	115	673
Total Volume	315	546	406	8	1275	73	92	286	1	452	23	489	127	3	642	375	101	44	0	520	2889
% App. Total	24.7	42.8	31.8	0.6		16.2	20.4	63.3	0.2		3.6	76.2	19.8	0.5		72.1	19.4	8.5	0		
PHF	.795	.864	.890	.500	.929	.869	.719	.929	.250	.919	.639	.912	.794	.250	.944	.837	.871	.500	.000	.798	.915

