



# MINNESOTA DEPT OF TRANSPORTATION

## TRAFFIC DATA COLLECTION - METRO

TH-120 /CENTURY AVE AT BROOKVIEW DR. File Name : TH-120 AT BROOKVIEW DRIVE 2006  
 REF.PT.: 001.990 Site Code : 00000012  
 JAMAR # 631 BO Start Date : 8/9/2006  
 TURN MOVEMENT COUNT Page No : 1

### Groups Printed- Cars & Trucks

Start Time	TH-120 / CENTURY AVE. Southbound				HUDSON RD./ WOODBINE AVE. Westbound				TH-120 / CENTURY AVE. Northbound				BROOKVIEW DR. Eastbound				Int. Total
	Left	Thru	Right	Peds	Left	Thru	Right	Peds	Left	Thru	Right	Peds	Left	Thru	Right	Peds	
06:00	6	39	1	0	1	1	8	0	1	60	2	0	1	0	2	0	122
06:15	2	47	0	0	2	0	17	0	3	91	2	0	3	0	1	0	168
06:30	9	44	2	0	1	0	19	0	0	94	1	0	3	0	1	0	174
06:45	12	53	4	0	4	0	11	0	4	128	5	0	2	1	1	0	225
Total	29	183	7	0	8	1	55	0	8	373	10	0	9	1	5	0	689
07:00	12	35	5	0	7	1	14	0	6	117	2	0	1	0	2	0	202
07:15	10	47	2	0	2	0	18	0	7	157	7	0	7	1	7	0	265
07:30	18	42	1	0	3	0	23	0	5	164	4	0	5	1	2	0	268
07:45	24	70	3	0	3	1	30	0	2	177	11	0	4	0	0	0	325
Total	64	194	11	0	15	2	85	0	20	615	24	0	17	2	11	0	1060
08:00	19	62	1	0	5	0	26	0	4	138	4	0	4	0	3	0	266
08:15	11	59	3	0	3	1	22	1	3	114	7	0	3	0	4	0	231
08:30	22	36	2	0	2	1	11	0	4	129	6	0	6	1	0	0	220
08:45	25	89	1	0	3	4	9	0	5	102	8	0	4	0	2	0	252
Total	77	246	7	0	13	6	68	1	16	483	25	0	17	1	9	0	969
*** BREAK ***																	
15:00	29	104	2	0	4	5	24	0	5	112	7	0	4	1	2	0	299
15:15	29	113	9	0	7	0	22	0	5	88	4	0	4	0	3	0	284
15:30	44	123	1	0	5	1	20	1	7	107	6	0	5	1	3	0	324
15:45	40	111	7	0	9	1	23	0	6	95	8	0	8	0	3	0	311
Total	142	451	19	0	25	7	89	1	23	402	25	0	21	2	11	0	1218
16:00	41	112	5	0	13	0	27	1	3	77	5	0	6	1	2	0	293
16:15	40	130	5	0	10	4	29	0	5	59	11	0	5	1	4	0	303
16:30	43	156	7	0	6	1	29	0	6	102	8	0	2	1	4	0	365
16:45	28	138	6	0	5	1	30	0	12	87	8	0	6	1	3	0	325
Total	152	536	23	0	34	6	115	1	26	325	32	0	19	4	13	0	1286
17:00	32	143	4	0	12	1	35	0	8	65	5	0	8	1	5	0	319
17:15	37	155	3	0	9	2	25	0	8	83	6	0	3	0	2	0	333
17:30	32	134	6	0	7	1	26	0	1	87	3	0	5	2	2	0	306
17:45	25	128	7	0	5	1	18	0	8	73	4	0	7	0	5	0	281
Total	126	560	20	0	33	5	104	0	25	308	18	0	23	3	14	0	1239
Grand Total	590	2170	87	0	128	27	516	3	118	2506	134	0	106	13	63	0	6461
Apprch %	20.7	76.2	3.1	0	19	4	76.6	0.4	4.3	90.9	4.9	0	58.2	7.1	34.6	0	
Total %	9.1	33.6	1.3	0	2	0.4	8	0	1.8	38.8	2.1	0	1.6	0.2	1	0	

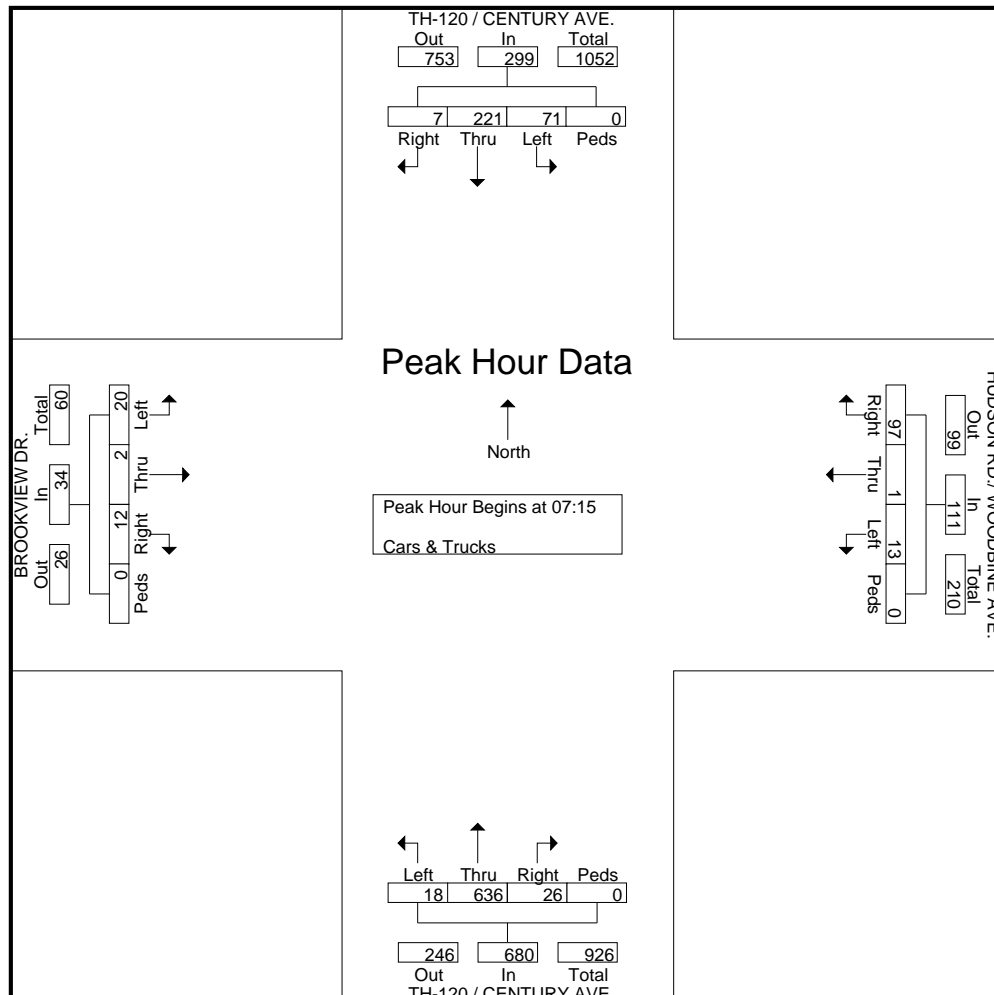


# MINNESOTA DEPT OF TRANSPORTATION

## TRAFFIC DATA COLLECTION - METRO

TH-120 /CENTURY AVE AT BROOKVIEW DR. File Name : TH-120 AT BROOKVIEW DRIVE 2006  
 REF.PT.: 001.990 Site Code : 00000012  
 JAMAR # 631 BO Start Date : 8/9/2006  
 TURN MOVEMENT COUNT Page No : 2

Start Time	TH-120 / CENTURY AVE. Southbound					HUDSON RD./ WOODBINE AVE. Westbound					TH-120 / CENTURY AVE. Northbound					BROOKVIEW DR. Eastbound					Int. Total
	Left	Thru	Right	Peds	App. Total	Left	Thru	Right	Peds	App. Total	Left	Thru	Right	Peds	App. Total	Left	Thru	Right	Peds	App. Total	
Peak Hour Analysis From 06:00 to 08:45 - Peak 1 of 1																					
Peak Hour for Entire Intersection Begins at 07:15																					
07:15	10	47	2	0	59	2	0	18	0	20	7	157	7	0	171	7	1	7	0	15	265
07:30	18	42	1	0	61	3	0	23	0	26	5	164	4	0	173	5	1	2	0	8	268
07:45	<b>24</b>	<b>70</b>	<b>3</b>	<b>0</b>	<b>97</b>	<b>3</b>	<b>1</b>	<b>30</b>	<b>0</b>	<b>34</b>	<b>2</b>	<b>177</b>	<b>11</b>	<b>0</b>	<b>190</b>	<b>4</b>	<b>0</b>	<b>0</b>	<b>0</b>	<b>4</b>	<b>325</b>
08:00	19	62	1	0	82	5	0	26	0	31	4	138	4	0	146	4	0	3	0	7	266
Total Volume	71	221	7	0	299	13	1	97	0	111	18	636	26	0	680	20	2	12	0	34	1124
% App. Total	23.7	73.9	2.3	0		11.7	0.9	87.4	0		2.6	93.5	3.8	0		58.8	5.9	35.3	0		
PHF	.740	.789	.583	.000	.771	.650	.250	.808	.000	.816	.643	.898	.591	.000	.895	.714	.500	.429	.000	.567	.865





# MINNESOTA DEPT OF TRANSPORTATION

## TRAFFIC DATA COLLECTION - METRO

TH-120 /CENTURY AVE AT BROOKVIEW DR. File Name : TH-120 AT BROOKVIEW DRIVE 2006  
 REF.PT.: 001.990 Site Code : 00000012  
 JAMAR # 631 BO Start Date : 8/9/2006  
 TURN MOVEMENT COUNT Page No : 3

Start Time	TH-120 / CENTURY AVE. Southbound					HUDSON RD./ WOODBINE AVE. Westbound					TH-120 / CENTURY AVE. Northbound					BROOKVIEW DR. Eastbound					Int. Total
	Left	Thru	Right	Peds	App. Total	Left	Thru	Right	Peds	App. Total	Left	Thru	Right	Peds	App. Total	Left	Thru	Right	Peds	App. Total	
Peak Hour Analysis From 15:00 to 17:45 - Peak 1 of 1																					
Peak Hour for Entire Intersection Begins at 16:30																					
16:30	43	156	7	0	206	6	1	29	0	36	6	102	8	0	116	2	1	4	0	7	365
16:45	28	138	6	0	172	5	1	30	0	36	12	87	8	0	107	6	1	3	0	10	325
17:00	32	143	4	0	179	12	1	35	0	48	8	65	5	0	78	8	1	5	0	14	319
17:15	37	155	3	0	195	9	2	25	0	36	8	83	6	0	97	3	0	2	0	5	333
Total Volume	140	592	20	0	752	32	5	119	0	156	34	337	27	0	398	19	3	14	0	36	1342
% App. Total	18.6	78.7	2.7	0		20.5	3.2	76.3	0		8.5	84.7	6.8	0		52.8	8.3	38.9	0		
PHF	.814	.949	.714	.000	.913	.667	.625	.850	.000	.813	.708	.826	.844	.000	.858	.594	.750	.700	.000	.643	.919

