

MN Dept of Transportation

TRAFFIC DATA COLLECTION - Metro

TH-120 at Maryland Ave E /CSAH-31
 Ref. Pt.: 004.205
 video AL
 TURN MOVEMENT COUNT

File Name : TH-120 at Maryland Ave 2016
 Site Code :
 Start Date : 5/3/2016
 Page No : 1

Groups Printed- Cars +

Start Time	TH-120 / Century Ave Southbound				Driveway / business parking Westbound				TH-120 / Century Ave Northbound				Maryland Ave / CSAH-31 Eastbound				Int. Total
	Left	Thru	Right	Peds	Left	Thru	Right	Peds	Left	Thru	Right	Peds	Left	Thru	Right	Peds	
06:00	0	29	2	0	0	0	0	0	3	36	0	0	2	0	3	0	75
06:15	0	68	0	0	0	0	0	0	7	43	0	0	2	0	10	0	130
06:30	0	84	3	0	0	0	0	0	10	42	0	0	4	0	11	0	154
06:45	0	98	2	0	0	0	0	0	6	56	1	0	4	0	16	0	183
Total	0	279	7	0	0	0	0	0	26	177	1	0	12	0	40	0	542
07:00	0	104	4	0	0	0	0	0	9	73	1	0	5	0	12	0	208
07:15	0	109	4	0	0	0	0	0	14	103	0	0	7	0	8	0	245
07:30	0	141	2	0	0	0	0	0	9	102	1	0	1	0	17	0	273
07:45	1	133	8	0	0	0	0	0	9	101	0	0	4	0	19	0	275
Total	1	487	18	0	0	0	0	0	41	379	2	0	17	0	56	0	1001
08:00	0	102	7	0	1	0	0	0	15	75	0	0	4	0	11	0	215
08:15	1	105	6	0	3	0	1	0	13	74	4	0	8	0	25	0	240
08:30	1	97	1	0	0	0	1	0	9	82	1	0	7	0	17	0	216
08:45	0	99	6	0	1	0	1	0	12	78	0	0	4	0	13	0	214
Total	2	403	20	0	5	0	3	0	49	309	5	0	23	0	66	0	885
09:00	2	72	4	0	0	0	3	0	9	65	1	0	9	1	10	0	176
09:15	0	110	2	0	0	0	1	0	11	75	0	0	4	0	8	0	211
09:30	1	92	4	0	1	0	1	0	4	64	1	0	11	0	6	0	185
09:45	0	82	3	0	1	0	1	0	5	67	1	0	3	0	7	0	170
Total	3	356	13	0	2	0	6	0	29	271	3	0	27	1	31	0	742
10:00	1	71	2	0	0	0	1	0	12	75	0	0	0	1	9	0	172
10:15	1	72	4	0	1	0	1	0	9	61	1	0	3	0	19	0	172
10:30	0	58	3	0	1	0	0	0	3	74	0	0	7	0	14	0	160
10:45	2	69	5	0	2	1	1	0	16	74	1	0	2	0	13	0	186
Total	4	270	14	0	4	1	3	0	40	284	2	0	12	1	55	0	690
11:00	1	96	2	0	0	0	0	0	12	74	0	0	4	0	11	0	200
11:15	0	71	2	0	1	0	0	0	9	91	1	0	4	0	15	0	194
11:30	0	65	4	0	0	1	0	0	6	65	2	0	1	0	16	0	160
11:45	0	73	1	0	1	0	0	0	8	61	1	0	6	0	12	0	163
Total	1	305	9	0	2	1	0	0	35	291	4	0	15	0	54	0	717
12:00	0	94	7	0	1	0	1	0	9	82	1	0	4	0	10	0	209
12:15	0	75	2	0	1	0	1	0	6	73	0	0	6	0	6	0	170
12:30	0	99	3	0	0	0	0	0	11	85	0	0	2	0	6	0	206
12:45	1	82	3	0	2	0	0	0	12	102	1	0	4	0	11	0	218
Total	1	350	15	0	4	0	2	0	38	342	2	0	16	0	33	0	803
13:00	1	78	3	0	0	1	0	0	10	76	0	0	4	1	17	0	191
13:15	0	91	4	0	2	0	1	0	8	84	1	0	5	1	17	0	214
13:30	0	92	4	0	1	0	1	0	10	91	1	0	5	0	17	0	222
13:45	1	100	1	0	1	0	0	0	10	81	0	0	4	0	19	0	217
Total	2	361	12	0	4	1	2	0	38	332	2	0	18	2	70	0	844
14:00	1	80	3	0	1	0	2	0	10	105	0	0	3	0	10	0	215
14:15	3	106	8	0	1	0	0	0	7	88	0	0	6	0	12	0	231
14:30	0	94	5	0	0	0	0	0	11	107	1	0	1	0	13	0	232
14:45	1	122	5	0	0	0	1	0	12	106	1	0	5	1	21	0	275
Total	5	402	21	0	2	0	3	0	40	406	2	0	15	1	56	0	953
15:00	1	111	6	0	3	0	0	0	8	116	4	0	4	0	17	0	270
15:15	0	106	2	0	3	0	0	0	17	113	3	0	6	0	17	0	267
15:30	1	125	6	0	1	0	0	0	4	143	1	0	4	0	16	0	301
15:45	1	143	4	0	1	0	0	0	21	152	1	0	4	0	14	0	341
Total	3	485	18	0	8	0	0	0	50	524	9	0	18	0	64	0	1179

MN Dept of Transportation

TRAFFIC DATA COLLECTION - Metro

TH-120 at Maryland Ave E /CSAH-31
 Ref. Pt.: 004.205
 video AL
 TURN MOVEMENT COUNT

File Name : TH-120 at Maryland Ave 2016
 Site Code :
 Start Date : 5/3/2016
 Page No : 2

Groups Printed- Cars +

Start Time	TH-120 / Century Ave Southbound				Driveway / business parking Westbound				TH-120 / Century Ave Northbound				Maryland Ave / CSAH-31 Eastbound				Int. Total
	Left	Thru	Right	Peds	Left	Thru	Right	Peds	Left	Thru	Right	Peds	Left	Thru	Right	Peds	
16:00	0	120	14	0	3	0	0	0	18	162	0	0	7	0	18	0	342
16:15	0	135	8	0	4	0	1	0	13	132	1	0	10	1	20	0	325
16:30	0	132	13	0	2	0	0	0	15	167	0	0	15	0	23	0	367
16:45	0	138	16	0	2	0	0	0	26	163	1	0	8	0	25	0	379
Total	0	525	51	0	11	0	1	0	72	624	2	0	40	1	86	0	1413
17:00	0	134	14	0	0	0	0	0	23	136	0	0	13	1	21	0	342
17:15	1	123	18	0	0	0	0	0	24	154	0	0	26	0	22	0	368
17:30	0	143	21	0	3	0	0	0	13	153	0	0	24	0	19	0	376
17:45	0	153	11	0	0	0	1	0	10	146	1	0	9	0	22	0	353
Total	1	553	64	0	3	0	1	0	70	589	1	0	72	1	84	0	1439
Grand Total	23	4776	262	0	45	3	21	0	528	4528	35	0	285	7	695	0	11208
Apprch %	0.5	94.4	5.2	0	65.2	4.3	30.4	0	10.4	88.9	0.7	0	28.9	0.7	70.4	0	
Total %	0.2	42.6	2.3	0	0.4	0	0.2	0	4.7	40.4	0.3	0	2.5	0.1	6.2	0	

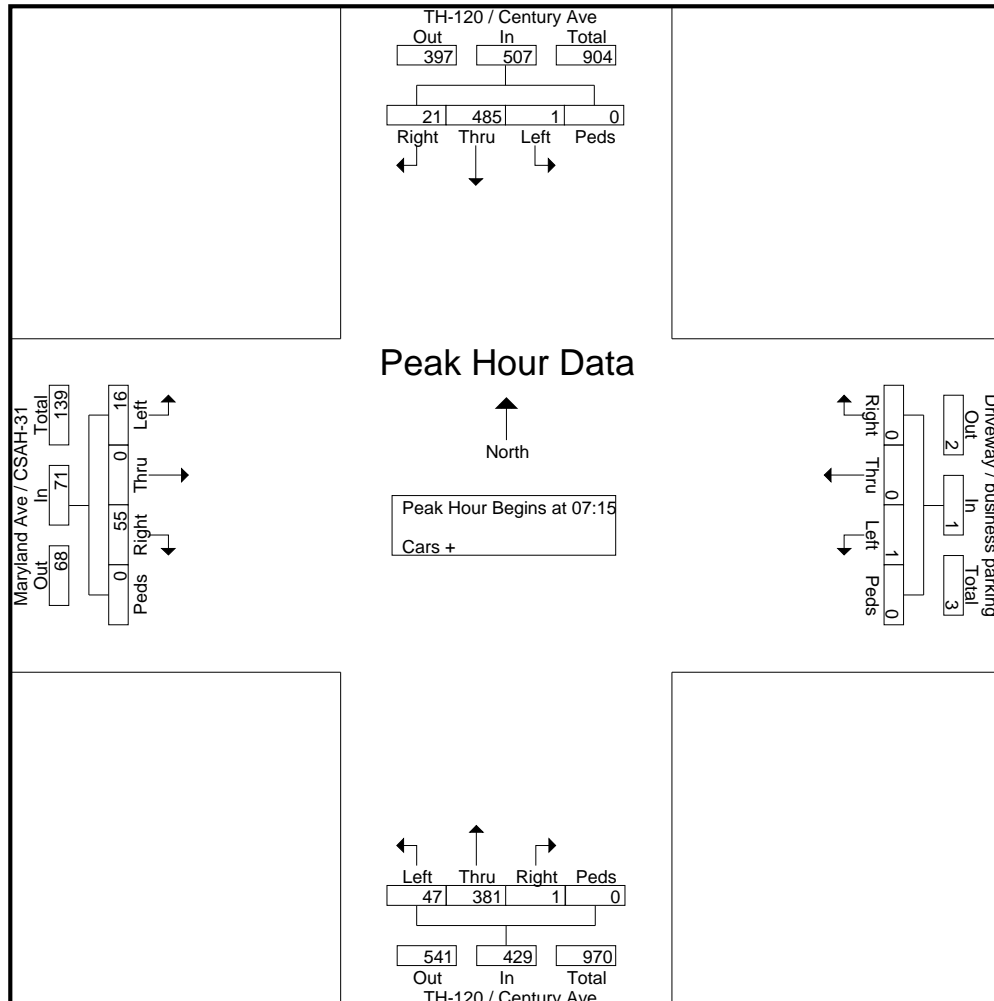
MN Dept of Transportation

TRAFFIC DATA COLLECTION - Metro

TH-120 at Maryland Ave E /CSAH-31
 Ref. Pt.: 004.205
 video AL
 TURN MOVEMENT COUNT

File Name : TH-120 at Maryland Ave 2016
 Site Code :
 Start Date : 5/3/2016
 Page No : 3

Start Time	TH-120 / Century Ave Southbound					Driveway / business parking Westbound					TH-120 / Century Ave Northbound					Maryland Ave / CSAH-31 Eastbound					Int. Total
	Left	Thru	Right	Peds	App. Total	Left	Thru	Right	Peds	App. Total	Left	Thru	Right	Peds	App. Total	Left	Thru	Right	Peds	App. Total	
Peak Hour Analysis From 06:00 to 11:45 - Peak 1 of 1																					
Peak Hour for Entire Intersection Begins at 07:15																					
07:15	0	109	4	0	113	0	0	0	0	0	14	103	0	0	117	7	0	8	0	15	245
07:30	0	141	2	0	143	0	0	0	0	0	9	102	1	0	112	1	0	17	0	18	273
07:45	1	133	8	0	142	0	0	0	0	0	9	101	0	0	110	4	0	19	0	23	275
08:00	0	102	7	0	109	1	0	0	0	1	15	75	0	0	90	4	0	11	0	15	215
Total Volume	1	485	21	0	507	1	0	0	0	1	47	381	1	0	429	16	0	55	0	71	1008
% App. Total	0.2	95.7	4.1	0		100	0	0	0		11	88.8	0.2	0		22.5	0	77.5	0		
PHF	.250	.860	.656	.000	.886	.250	.000	.000	.000	.250	.783	.925	.250	.000	.917	.571	.000	.724	.000	.772	.916



MN Dept of Transportation

TRAFFIC DATA COLLECTION - Metro

TH-120 at Maryland Ave E /CSAH-31
 Ref. Pt.: 004.205
 video AL
 TURN MOVEMENT COUNT

File Name : TH-120 at Maryland Ave 2016
 Site Code :
 Start Date : 5/3/2016
 Page No : 4

Start Time	TH-120 / Century Ave Southbound					Driveway / business parking Westbound					TH-120 / Century Ave Northbound					Maryland Ave / CSAH-31 Eastbound					Int. Total
	Left	Thru	Right	Peds	App. Total	Left	Thru	Right	Peds	App. Total	Left	Thru	Right	Peds	App. Total	Left	Thru	Right	Peds	App. Total	
Peak Hour Analysis From 12:00 to 17:45 - Peak 1 of 1																					
Peak Hour for Entire Intersection Begins at 16:45																					
16:45	0	138	16	0	154	2	0	0	0	2	26	163	1	0	190	8	0	25	0	33	379
17:00	0	134	14	0	148	0	0	0	0	0	23	136	0	0	159	13	1	21	0	35	342
17:15	1	123	18	0	142	0	0	0	0	0	24	154	0	0	178	26	0	22	0	48	368
17:30	0	143	21	0	164	3	0	0	0	3	13	153	0	0	166	24	0	19	0	43	376
Total Volume	1	538	69	0	608	5	0	0	0	5	86	606	1	0	693	71	1	87	0	159	1465
% App. Total	0.2	88.5	11.3	0		100	0	0	0		12.4	87.4	0.1	0		44.7	0.6	54.7	0		
PHF	.250	.941	.821	.000	.927	.417	.000	.000	.000	.417	.827	.929	.250	.000	.912	.683	.250	.870	.000	.828	.966

