



MINNESOTA DEPT OF TRANSPORTATION

TRAFFIC DATA COLLECTION - METRO

TH-120 at 17th Ave E/50th St N
 Ref.Pt.: 007.218
 Data by: JI
 TURN MOVEMENT COUNT

File Name : TH-120 at 17th Ave-50th St 2013
 Site Code :
 Start Date : 4/3/2013
 Page No : 1

Groups Printed- Cars +

Start Time	TH-120 / Century Ave. Southbound				50th St N Westbound				TH-120 / Century Ave. Northbound				17th Ave.E Eastbound				Int. Total
	Left	Thru	Right	Peds	Left	Thru	Right	Peds	Left	Thru	Right	Peds	Left	Thru	Right	Peds	
06:00	0	31	6	0	0	0	0	0	3	35	2	0	5	0	10	0	92
06:15	1	49	6	0	0	1	0	0	7	35	2	0	7	1	13	0	122
06:30	1	47	6	0	2	0	1	0	4	40	0	0	5	2	12	0	120
06:45	0	66	10	0	1	1	1	0	10	37	1	0	8	0	10	0	145
Total	2	193	28	0	3	2	2	0	24	147	5	0	25	3	45	0	479
07:00	0	74	13	0	0	0	0	0	10	56	0	0	10	1	10	0	174
07:15	0	71	15	0	1	1	1	0	14	95	1	0	10	1	21	0	231
07:30	2	75	16	0	1	4	1	0	8	108	3	0	14	1	18	0	251
07:45	2	68	25	0	5	0	3	0	32	106	2	0	19	1	18	0	281
Total	4	288	69	0	7	5	5	0	64	365	6	0	53	4	67	0	937
08:00	2	68	17	0	2	0	2	0	20	83	2	0	10	2	18	0	226
08:15	2	53	8	0	3	1	4	0	14	100	3	0	6	2	10	0	206
08:30	4	74	6	0	4	4	1	0	16	102	2	0	10	0	19	0	242
08:45	2	83	10	0	2	2	1	0	30	85	5	0	7	4	25	0	256
Total	10	278	41	0	11	7	8	0	80	370	12	0	33	8	72	0	930
*****BREAK*****																	
15:00	0	102	15	0	7	0	2	0	17	73	1	0	10	1	24	0	252
15:15	0	108	20	0	1	0	3	0	24	78	2	0	10	0	14	0	260
15:30	3	112	12	0	1	0	0	0	24	113	7	0	9	0	15	0	296
15:45	1	105	18	0	0	0	4	0	21	119	5	0	6	0	32	0	311
Total	4	427	65	0	9	0	9	0	86	383	15	0	35	1	85	0	1119
16:00	4	88	16	0	8	0	2	0	14	75	8	0	10	1	26	0	252
16:15	2	90	15	0	8	2	3	0	14	77	12	0	7	1	18	0	249
16:30	1	113	15	0	9	0	1	0	15	86	1	0	8	2	22	0	273
16:45	2	112	10	0	4	0	2	0	22	108	0	0	5	2	22	0	289
Total	9	403	56	0	29	2	8	0	65	346	21	0	30	6	88	0	1063
17:00	1	106	10	0	1	2	2	0	22	87	3	0	9	1	20	0	264
17:15	2	83	11	0	4	0	3	0	16	105	4	0	4	1	30	0	263
17:30	6	94	12	0	3	2	1	0	22	140	4	0	15	1	23	0	323
17:45	3	81	13	0	4	1	5	0	45	114	6	0	17	0	31	0	320
Total	12	364	46	0	12	5	11	0	105	446	17	0	45	3	104	0	1170
Grand Total	41	1953	305	0	71	21	43	0	424	2057	76	0	221	25	461	0	5698
Apprch %	1.8	84.9	13.3	0	52.6	15.6	31.9	0	16.6	80.4	3	0	31.3	3.5	65.2	0	
Total %	0.7	34.3	5.4	0	1.2	0.4	0.8	0	7.4	36.1	1.3	0	3.9	0.4	8.1	0	



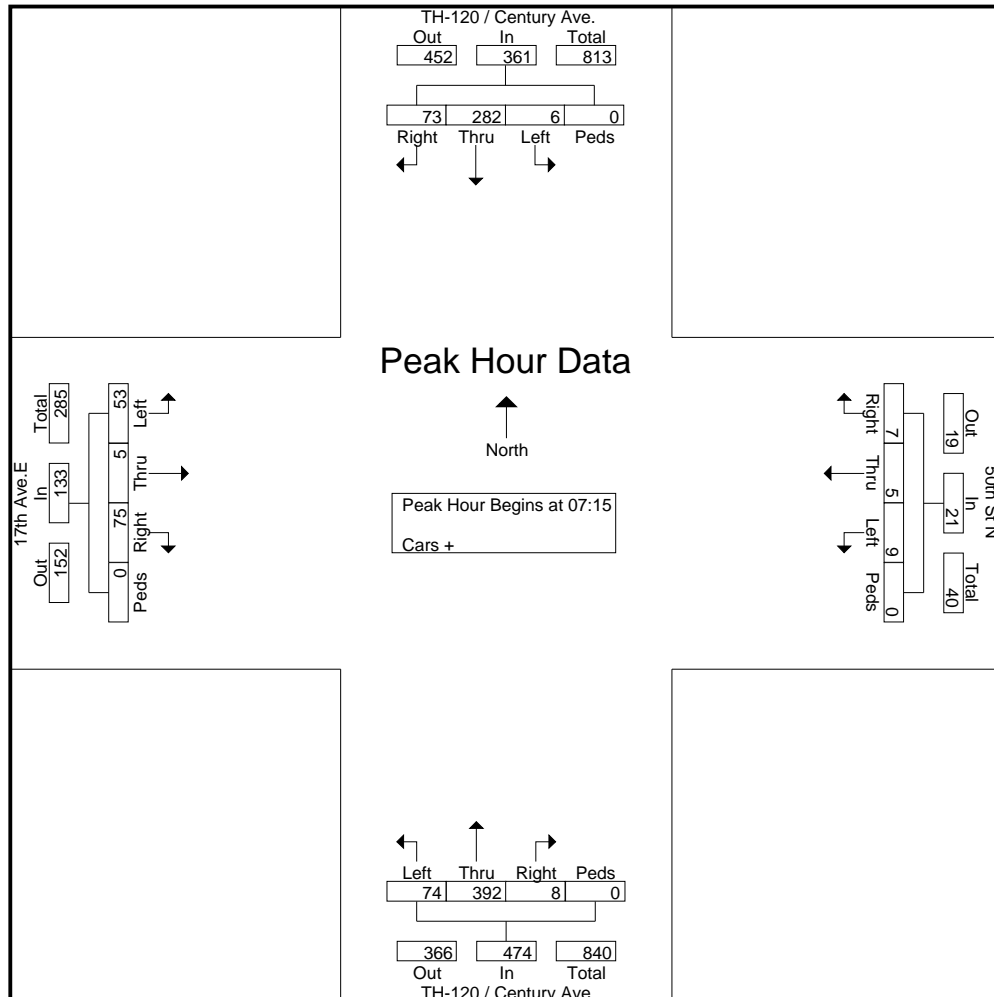
MINNESOTA DEPT OF TRANSPORTATION

TRAFFIC DATA COLLECTION - METRO

TH-120 at 17th Ave E/50th St N
 Ref.Pt.: 007.218
 Data by: JI
 TURN MOVEMENT COUNT

File Name : TH-120 at 17th Ave-50th St 2013
 Site Code :
 Start Date : 4/3/2013
 Page No : 2

Start Time	TH-120 / Century Ave. Southbound					50th St N Westbound					TH-120 / Century Ave. Northbound					17th Ave.E Eastbound					Int. Total
	Left	Thru	Right	Peds	App. Total	Left	Thru	Right	Peds	App. Total	Left	Thru	Right	Peds	App. Total	Left	Thru	Right	Peds	App. Total	
Peak Hour Analysis From 06:00 to 08:45 - Peak 1 of 1																					
Peak Hour for Entire Intersection Begins at 07:15																					
07:15	0	71	15	0	86	1	1	1	0	3	14	95	1	0	110	10	1	21	0	32	231
07:30	2	75	16	0	93	1	4	1	0	6	8	108	3	0	119	14	1	18	0	33	251
07:45	2	68	25	0	95	5	0	3	0	8	32	106	2	0	140	19	1	18	0	38	281
08:00	2	68	17	0	87	2	0	2	0	4	20	83	2	0	105	10	2	18	0	30	226
Total Volume	6	282	73	0	361	9	5	7	0	21	74	392	8	0	474	53	5	75	0	133	989
% App. Total	1.7	78.1	20.2	0		42.9	23.8	33.3	0		15.6	82.7	1.7	0		39.8	3.8	56.4	0		
PHF	.750	.940	.730	.000	.950	.450	.313	.583	.000	.656	.578	.907	.667	.000	.846	.697	.625	.893	.000	.875	.880





MINNESOTA DEPT OF TRANSPORTATION

TRAFFIC DATA COLLECTION - METRO

TH-120 at 17th Ave E/50th St N
 Ref.Pt.: 007.218
 Data by: JI
 TURN MOVEMENT COUNT

File Name : TH-120 at 17th Ave-50th St 2013
 Site Code :
 Start Date : 4/3/2013
 Page No : 3

Start Time	TH-120 / Century Ave. Southbound					50th St N Westbound					TH-120 / Century Ave. Northbound					17th Ave.E Eastbound					Int. Total
	Left	Thru	Right	Peds	App. Total	Left	Thru	Right	Peds	App. Total	Left	Thru	Right	Peds	App. Total	Left	Thru	Right	Peds	App. Total	
Peak Hour Analysis From 15:00 to 17:45 - Peak 1 of 1																					
Peak Hour for Entire Intersection Begins at 17:00																					
17:00	1	106	10	0	117	1	2	2	0	5	22	87	3	0	112	9	1	20	0	30	264
17:15	2	83	11	0	96	4	0	3	0	7	16	105	4	0	125	4	1	30	0	35	263
17:30	6	94	12	0	112	3	2	1	0	6	22	140	4	0	166	15	1	23	0	39	323
17:45	3	81	13	0	97	4	1	5	0	10	45	114	6	0	165	17	0	31	0	48	320
Total Volume	12	364	46	0	422	12	5	11	0	28	105	446	17	0	568	45	3	104	0	152	1170
% App. Total	2.8	86.3	10.9	0		42.9	17.9	39.3	0		18.5	78.5	3	0		29.6	2	68.4	0		
PHF	.500	.858	.885	.000	.902	.750	.625	.550	.000	.700	.583	.796	.708	.000	.855	.662	.750	.839	.000	.792	.906

