



# MINNESOTA DEPT OF TRANSPORTATION

## TRAFFIC DATA COLLECTION - METRO

TH-13 at 150th St. PRIOR LAKE  
 Ref.Pt. 087.348  
 video MR  
 TURN MOVEMENT COUNT

File Name : TH-13 at 150th St 2014  
 Site Code :  
 Start Date : 2/12/2014  
 Page No : 1

Groups Printed- Cars +

Start Time	TH-13 Southbound				150th St Westbound				TH-13 Northbound				150th St Eastbound				Int. Total
	Right	Thru	Left	Peds	Right	Thru	Left	Peds	Right	Thru	Left	Peds	Right	Thru	Left	Peds	
06:00	0	13	3	0	2	0	1	0	4	94	0	0	0	0	7	0	124
06:15	2	25	5	0	3	0	1	0	5	159	0	0	0	3	10	0	213
06:30	0	35	7	0	2	0	3	0	6	174	0	0	0	2	8	0	237
06:45	4	79	25	0	4	2	3	0	22	207	0	0	4	1	13	0	364
Total	6	152	40	0	11	2	8	0	37	634	0	0	4	6	38	0	938
07:00	3	107	20	0	4	0	4	0	36	191	0	0	1	2	6	0	374
07:15	4	84	49	0	3	0	2	0	48	259	1	0	1	2	1	0	454
07:30	4	54	63	0	5	0	0	0	71	160	1	0	2	1	3	0	364
07:45	6	76	84	0	5	0	3	0	90	163	0	0	3	1	3	0	434
Total	17	321	216	0	17	0	9	0	245	773	2	0	7	6	13	0	1626
08:00	2	83	50	0	14	7	10	0	52	163	1	0	0	2	2	0	386
08:15	4	88	37	0	42	0	6	0	30	154	3	0	0	0	3	0	367
08:30	4	68	6	0	22	1	9	0	10	192	1	0	0	1	3	0	317
08:45	1	89	10	0	4	0	3	0	13	147	1	0	0	3	15	0	286
Total	11	328	103	0	82	8	28	0	105	656	6	0	0	6	23	0	1356
09:00	6	89	15	0	5	1	6	0	7	128	1	0	2	0	8	0	268
09:15	5	58	6	0	4	1	3	0	9	146	2	0	0	0	7	0	241
09:30	4	85	8	0	4	0	1	0	5	133	0	0	0	1	3	0	244
09:45	4	84	11	0	2	0	4	0	3	131	1	0	0	1	9	0	250
Total	19	316	40	0	15	2	14	0	24	538	4	0	2	2	27	0	1003
10:00	7	73	6	0	1	1	3	0	2	85	1	0	2	2	6	0	189
10:15	4	81	7	0	4	1	3	0	5	122	0	0	0	0	3	0	230
10:30	3	71	8	0	3	1	3	0	3	118	1	0	1	1	5	0	218
10:45	8	82	7	0	3	0	3	0	3	118	0	0	0	0	7	0	231
Total	22	307	28	0	11	3	12	0	13	443	2	0	3	3	21	0	868
11:00	5	103	10	0	2	2	2	0	5	120	0	0	2	2	5	0	258
11:15	6	107	14	0	0	1	1	0	11	136	1	0	0	2	5	0	284
11:30	4	104	7	0	4	1	3	0	5	128	1	0	0	0	2	0	259
11:45	8	88	25	0	3	0	5	0	4	82	1	0	3	0	3	0	222
Total	23	402	56	0	9	4	11	0	25	466	3	0	5	4	15	0	1023
12:00	9	131	18	0	7	1	5	0	5	124	2	0	0	1	1	0	304
12:15	3	125	11	0	0	0	2	0	2	119	2	0	0	1	5	0	270
12:30	4	107	10	0	1	0	2	0	2	103	2	0	0	1	6	0	238
12:45	3	114	10	0	4	0	1	0	5	116	0	0	3	1	2	0	259
Total	19	477	49	0	12	1	10	0	14	462	6	0	3	4	14	0	1071
13:00	4	103	3	0	2	2	4	0	6	132	2	0	0	1	4	0	263
13:15	5	100	12	0	6	2	1	0	4	101	1	0	1	0	5	0	238
13:30	6	113	18	1	3	0	5	0	1	123	0	0	1	2	4	0	277
13:45	15	129	11	0	1	3	2	0	3	96	0	1	0	1	5	1	268
Total	30	445	44	1	12	7	12	0	14	452	3	1	2	4	18	1	1046
14:00	6	135	7	0	3	2	9	1	3	98	1	0	0	1	4	0	270
14:15	6	157	11	0	3	1	6	0	8	120	0	0	0	0	6	0	318
14:30	10	156	17	0	4	3	0	0	5	130	1	0	1	0	5	0	332
14:45	10	157	30	0	4	1	3	0	15	115	2	0	1	1	3	0	342
Total	32	605	65	0	14	7	18	1	31	463	4	0	2	2	18	0	1262



# MINNESOTA DEPT OF TRANSPORTATION

## TRAFFIC DATA COLLECTION - METRO

TH-13 at 150th St. PRIOR LAKE  
 Ref.Pt. 087.348  
 video MR  
 TURN MOVEMENT COUNT

File Name : TH-13 at 150th St 2014  
 Site Code :  
 Start Date : 2/12/2014  
 Page No : 2

Groups Printed- Cars +

Start Time	TH-13 Southbound				150th St Westbound				TH-13 Northbound				150th St Eastbound				Int. Total
	Right	Thru	Left	Peds	Right	Thru	Left	Peds	Right	Thru	Left	Peds	Right	Thru	Left	Peds	
15:00	13	129	32	0	5	5	16	0	22	141	1	0	0	0	4	0	368
15:15	19	178	28	0	10	6	10	0	17	153	0	0	1	3	1	0	426
15:30	18	179	55	0	5	4	8	0	22	119	0	0	2	2	4	0	418
15:45	10	192	33	0	27	5	14	0	18	135	2	0	1	0	2	0	439
Total	60	678	148	0	47	20	48	0	79	548	3	0	4	5	11	0	1651
16:00	15	204	34	0	15	2	4	0	9	154	6	0	0	3	3	0	449
16:15	23	209	34	0	0	2	7	0	7	150	0	0	0	2	5	0	439
16:30	19	208	32	0	3	1	3	0	13	138	2	0	0	1	0	0	420
16:45	12	241	40	0	7	3	7	0	11	145	3	0	2	1	1	0	473
Total	69	862	140	0	25	8	21	0	40	587	11	0	2	7	9	0	1781
17:00	29	235	27	0	7	2	7	0	9	128	0	0	2	1	3	0	450
17:15	24	235	55	0	7	1	3	0	9	133	4	0	1	2	4	0	478
17:30	19	220	24	0	2	1	5	0	13	138	1	0	0	0	2	0	425
17:45	19	229	31	0	7	0	10	0	9	145	2	0	0	0	0	0	452
Total	91	919	137	0	23	4	25	0	40	544	7	0	3	3	9	0	1805
Grand Total	399	5812	1066	1	278	66	216	1	667	6566	51	1	37	52	216	1	15430
Apprch %	5.5	79.9	14.6	0	49.6	11.8	38.5	0.2	9.2	90.1	0.7	0	12.1	17	70.6	0.3	
Total %	2.6	37.7	6.9	0	1.8	0.4	1.4	0	4.3	42.6	0.3	0	0.2	0.3	1.4	0	



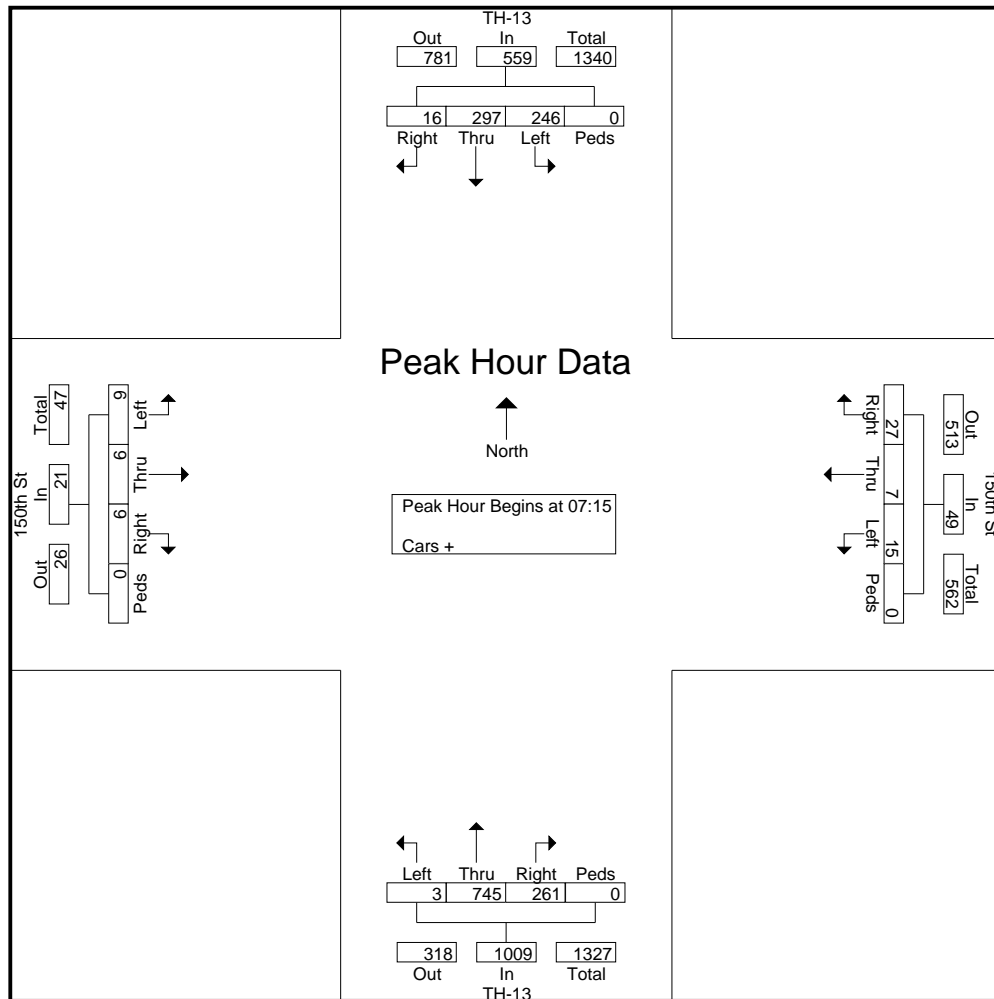
# MINNESOTA DEPT OF TRANSPORTATION

## TRAFFIC DATA COLLECTION - METRO

TH-13 at 150th St. PRIOR LAKE  
 Ref.Pt. 087.348  
 video MR  
 TURN MOVEMENT COUNT

File Name : TH-13 at 150th St 2014  
 Site Code :  
 Start Date : 2/12/2014  
 Page No : 3

Start Time	TH-13 Southbound					150th St Westbound					TH-13 Northbound					150th St Eastbound					Int. Total
	Right	Thru	Left	Peds	App. Total	Right	Thru	Left	Peds	App. Total	Right	Thru	Left	Peds	App. Total	Right	Thru	Left	Peds	App. Total	
Peak Hour Analysis From 06:00 to 08:45 - Peak 1 of 1																					
Peak Hour for Entire Intersection Begins at 07:15																					
07:15	4	84	49	0	137	3	0	2	0	5	48	259	1	0	308	1	2	1	0	4	454
07:30	4	54	63	0	121	5	0	0	0	5	71	160	1	0	232	2	1	3	0	6	364
07:45	6	76	84	0	166	5	0	3	0	8	90	163	0	0	253	3	1	3	0	7	434
08:00	2	83	50	0	135	14	7	10	0	31	52	163	1	0	216	0	2	2	0	4	386
Total Volume	16	297	246	0	559	27	7	15	0	49	261	745	3	0	1009	6	6	9	0	21	1638
% App. Total	2.9	53.1	44	0		55.1	14.3	30.6	0		25.9	73.8	0.3	0		28.6	28.6	42.9	0		
PHF	.667	.884	.732	.000	.842	.482	.250	.375	.000	.395	.725	.719	.750	.000	.819	.500	.750	.750	.000	.750	.902





# MINNESOTA DEPT OF TRANSPORTATION

## TRAFFIC DATA COLLECTION - METRO

TH-13 at 150th St. PRIOR LAKE  
 Ref.Pt. 087.348  
 video MR  
 TURN MOVEMENT COUNT

File Name : TH-13 at 150th St 2014  
 Site Code :  
 Start Date : 2/12/2014  
 Page No : 4

Start Time	TH-13 Southbound					150th St Westbound					TH-13 Northbound					150th St Eastbound					Int. Total
	Rig ht	Thr u	Left	Ped s	App. Total	Rig ht	Thr u	Left	Ped s	App. Total	Right	Thr u	Left	Peds	App. Total	Right	Thr u	Left	Peds	App. Total	
Peak Hour Analysis From 15:00 to 17:45 - Peak 1 of 1																					
Peak Hour for Entire Intersection Begins at 16:45																					
16:45	12	241	40	0	293	7	3	7	0	17	11	145	3	0	159	2	1	1	0	4	473
17:00	29	235	27	0	291	7	2	7	0	16	9	128	0	0	137	2	1	3	0	6	450
17:15	24	235	55	0	314	7	1	3	0	11	9	133	4	0	146	1	2	4	0	7	478
17:30	19	220	24	0	263	2	1	5	0	8	13	138	1	0	152	0	0	2	0	2	425
Total Volume	84	931	146	0	1161	23	7	22	0	52	42	544	8	0	594	5	4	10	0	19	1826
% App. Total	7.2	80.2	12.6	0		44.2	13.5	42.3	0		7.1	91.6	1.3	0		26.3	21.1	52.6	0		
PHF	.724	.966	.664	.000	.924	.821	.583	.786	.000	.765	.808	.938	.500	.000	.934	.625	.500	.625	.000	.679	.955

