



MINNESOTA DEPT OF TRANSPORTATION

TRAFFIC DATA COLLECTION - METRO

TH-13 at Connelly Pkwy
 Ref.Pt.: 088.779
 JAMAR # D4-3365 CH
 TURN MOVEMENT COUNT

File Name : TH-13 at CONNELLY PKWY 2008
 Site Code : 00000000
 Start Date : 11/6/2008
 Page No : 1

Groups Printed- Cars & Trucks

Start Time	TH-13 Southbound				CONNELLY PKWY Westbound				TH-13 Northbound				CONNELLY PKWY Eastbound				Int. Total
	Left	Thru	Right	Peds	Left	Thru	Right	Peds	Left	Thru	Right	Peds	Left	Thru	Right	Peds	
06:00	6	37	2	0	4	6	22	0	1	138	12	0	8	8	2	0	246
06:15	5	27	4	0	8	3	38	0	0	153	15	0	9	3	5	0	270
06:30	9	49	3	0	3	5	38	0	2	247	23	0	10	6	12	0	407
06:45	15	65	7	0	7	14	43	0	4	226	43	0	17	9	21	0	471
Total	35	178	16	0	22	28	141	0	7	764	93	0	44	26	40	0	1394
07:00	6	62	2	0	5	11	49	0	6	278	29	0	8	10	9	0	475
07:15	14	66	4	0	19	14	49	0	7	299	32	0	26	26	21	0	577
07:30	8	68	6	0	13	15	50	0	2	250	30	0	8	15	8	0	473
07:45	12	74	7	0	14	12	40	0	6	218	25	0	18	15	9	0	450
Total	40	270	19	0	51	52	188	0	21	1045	116	0	60	66	47	0	1975
08:00	17	47	9	0	11	11	41	0	5	160	23	0	13	14	6	0	357
08:15	26	74	3	0	18	19	41	0	7	198	31	0	13	42	13	0	485
08:30	20	81	8	0	19	25	35	0	9	160	30	0	13	10	14	0	424
08:45	29	84	8	0	20	11	42	0	14	176	33	0	12	17	9	0	455
Total	92	286	28	0	68	66	159	0	35	694	117	0	51	83	42	0	1721
*** BREAK ***																	
15:00	42	140	16	0	38	37	28	0	7	112	17	0	18	32	22	0	509
15:15	35	170	19	0	60	32	40	0	9	105	9	0	12	20	23	0	534
15:30	44	183	21	0	51	21	26	0	12	98	15	0	10	26	29	0	536
15:45	37	174	38	0	39	31	25	0	12	107	11	0	10	24	29	0	537
Total	158	667	94	0	188	121	119	0	40	422	52	0	50	102	103	0	2116
16:00	46	208	46	0	54	30	23	0	8	93	11	0	17	20	22	0	578
16:15	38	201	35	0	39	23	23	1	8	100	15	0	8	29	32	0	552
16:30	44	213	48	0	49	30	32	0	11	90	19	0	12	33	22	0	603
16:45	42	186	41	0	58	46	33	0	12	87	15	0	16	31	32	0	599
Total	170	808	170	0	200	129	111	1	39	370	60	0	53	113	108	0	2332
17:00	46	214	50	0	60	37	20	0	20	89	8	0	13	33	36	0	626
17:15	42	227	54	0	48	37	20	0	13	101	12	0	15	31	24	0	624
17:30	51	190	39	0	48	47	27	0	13	90	17	0	20	31	41	0	614
17:45	48	240	51	0	42	52	35	0	10	109	14	0	15	30	44	0	690
Total	187	871	194	0	198	173	102	0	56	389	51	0	63	125	145	0	2554
Grand Total	682	3080	521	0	727	569	820	1	198	3684	489	0	321	515	485	0	12092
Apprch %	15.9	71.9	12.2	0	34.3	26.9	38.7	0	4.5	84.3	11.2	0	24.3	39	36.7	0	
Total %	5.6	25.5	4.3	0	6	4.7	6.8	0	1.6	30.5	4	0	2.7	4.3	4	0	



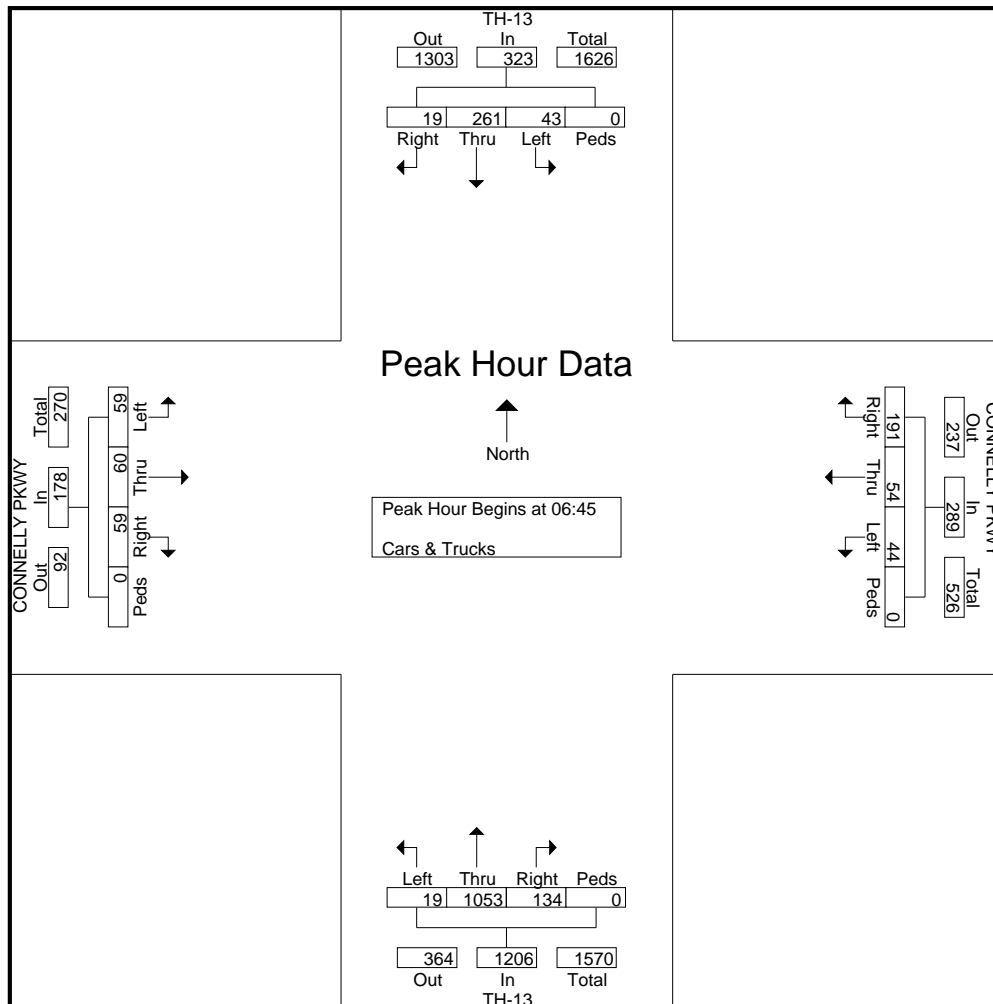
MINNESOTA DEPT OF TRANSPORTATION

TRAFFIC DATA COLLECTION - METRO

TH-13 at Connelly Pkwy
 Ref.Pt.: 088.779
 JAMAR # D4-3365 CH
 TURN MOVEMENT COUNT

File Name : TH-13 at CONNELLY PKWY 2008
 Site Code : 00000000
 Start Date : 11/6/2008
 Page No : 2

Start Time	TH-13 Southbound					CONNELLY PKWY Westbound					TH-13 Northbound					CONNELLY PKWY Eastbound					Int. Total
	Left	Thru	Right	Peds	App. Total	Left	Thru	Right	Peds	App. Total	Left	Thru	Right	Peds	App. Total	Left	Thru	Right	Peds	App. Total	
Peak Hour Analysis From 06:00 to 08:45 - Peak 1 of 1																					
Peak Hour for Entire Intersection Begins at 06:45																					
06:45	15	65	7	0	87	7	14	43	0	64	4	226	43	0	273	17	9	21	0	47	471
07:00	6	62	2	0	70	5	11	49	0	65	6	278	29	0	313	8	10	9	0	27	475
07:15	14	66	4	0	84	19	14	49	0	82	7	299	32	0	338	26	26	21	0	73	577
07:30	8	68	6	0	82	13	15	50	0	78	2	250	30	0	282	8	15	8	0	31	473
Total Volume	43	261	19	0	323	44	54	191	0	289	19	1053	134	0	1206	59	60	59	0	178	1996
% App. Total	13.3	80.8	5.9	0		15.2	18.7	66.1	0		1.6	87.3	11.1	0		33.1	33.7	33.1	0		
PHF	.717	.960	.679	.000	.928	.579	.900	.955	.000	.881	.679	.880	.779	.000	.892	.567	.577	.702	.000	.610	.865





MINNESOTA DEPT OF TRANSPORTATION

TRAFFIC DATA COLLECTION - METRO

TH-13 at Connelly Pkwy
 Ref.Pt.: 088.779
 JAMAR # D4-3365 CH
 TURN MOVEMENT COUNT

File Name : TH-13 at CONNELLY PKWY 2008
 Site Code : 00000000
 Start Date : 11/6/2008
 Page No : 3

Start Time	TH-13 Southbound					CONNELLY PKWY Westbound					TH-13 Northbound					CONNELLY PKWY Eastbound					Int. Total
	Left	Thru	Right	Peds	App. Total	Left	Thru	Right	Peds	App. Total	Left	Thru	Right	Peds	App. Total	Left	Thru	Right	Peds	App. Total	
Peak Hour Analysis From 15:00 to 17:45 - Peak 1 of 1																					
Peak Hour for Entire Intersection Begins at 17:00																					
17:00	46	214	50	0	310	60	37	20	0	117	20	89	8	0	117	13	33	36	0	82	626
17:15	42	227	54	0	323	48	37	20	0	105	13	101	12	0	126	15	31	24	0	70	624
17:30	51	190	39	0	280	48	47	27	0	122	13	90	17	0	120	20	31	41	0	92	614
17:45	48	240	51	0	339	42	52	35	0	129	10	109	14	0	133	15	30	44	0	89	690
Total Volume	187	871	194	0	1252	198	173	102	0	473	56	389	51	0	496	63	125	145	0	333	2554
% App. Total	14.9	69.6	15.5	0		41.9	36.6	21.6	0		11.3	78.4	10.3	0		18.9	37.5	43.5	0		
PHF	.917	.907	.898	.000	.923	.825	.832	.729	.000	.917	.700	.892	.750	.000	.932	.788	.947	.824	.000	.905	.925

