

TRAFFIC DATA INC.

3268 Xenwood Ave S
St Louis Park, MN 55416

Williams Drive at CSAH-5 BURNSVILLE

File Name : Williams Drive at CSAH-5 2009

(S of TH-13)

Site Code : 01829119

Data by: Traffic Data Inc

Start Date : 5/12/2009

TURN MOVEMENT COUNT

Page No : 1

Groups Printed- Unshifted

Start Time	CSAH-5 Southbound				Williams Drive Westbound				CSAH-5 Northbound				Williams Drive Eastbound				Int. Total
	Left	Thru	Right	Peds	Left	Thru	Right	Peds	Left	Thru	Right	Peds	Left	Thru	Right	Peds	
06:00	4	11	8	0	0	0	2	0	18	82	0	0	118	4	4	0	251
06:15	7	20	8	0	0	2	2	0	19	115	0	1	134	5	17	0	330
06:30	9	19	16	0	1	8	1	0	23	110	0	0	145	12	23	0	367
06:45	7	28	36	0	1	3	4	0	31	132	2	0	155	16	20	0	435
Total	27	78	68	0	2	13	9	0	91	439	2	1	552	37	64	0	1383
07:00	6	31	13	2	2	1	5	0	36	160	1	0	134	48	29	0	468
07:15	8	42	31	0	0	5	4	0	60	168	3	0	114	59	34	0	528
07:30	10	28	20	1	0	5	1	0	64	166	2	0	139	51	39	0	526
07:45	9	46	25	1	2	5	3	0	43	125	1	0	142	42	36	0	480
Total	33	147	89	4	4	16	13	0	203	619	7	0	529	200	138	0	2002
08:00	8	53	20	0	2	5	3	0	38	116	2	0	147	27	34	0	455
08:15	12	56	35	0	0	7	3	1	40	97	3	0	150	20	33	0	457
08:30	7	41	33	0	1	5	2	0	30	77	4	0	136	10	24	0	370
08:45	7	40	32	0	3	7	1	1	28	64	6	0	126	8	23	0	346
Total	34	190	120	0	6	24	9	2	136	354	15	0	559	65	114	0	1628
*** BREAK ***																	
11:00	11	64	38	0	3	3	3	0	19	49	8	0	55	2	23	0	278
11:15	11	60	46	0	2	3	0	0	43	50	4	0	73	2	37	0	331
11:30	10	60	47	0	2	0	0	0	28	53	4	0	68	5	39	0	316
11:45	10	68	42	0	3	1	5	0	43	59	3	0	65	3	38	0	340
Total	42	252	173	0	10	7	8	0	133	211	19	0	261	12	137	0	1265
12:00	12	75	49	2	4	2	3	1	28	63	5	1	51	3	43	1	343
12:15	11	54	49	1	1	5	1	1	25	60	2	0	62	1	36	1	310
12:30	15	53	54	0	3	3	4	0	42	61	0	1	73	4	34	2	349
12:45	19	65	45	0	2	4	4	0	37	49	3	0	58	2	39	0	327
Total	57	247	197	3	10	14	12	2	132	233	10	2	244	10	152	4	1329
*** BREAK ***																	
15:00	15	97	87	3	3	4	4	1	29	58	1	0	93	9	53	0	457
15:15	9	107	92	1	4	2	8	0	48	54	2	0	81	3	49	1	461
15:30	10	104	89	0	1	1	2	2	51	67	6	1	63	3	90	0	490
15:45	12	107	103	0	2	9	3	1	54	72	11	1	83	2	80	0	540
Total	46	415	371	4	10	16	17	4	182	251	20	2	320	17	272	1	1948
16:00	13	100	93	0	2	4	4	0	49	61	2	0	80	5	61	0	474
16:15	13	93	85	0	2	3	2	3	39	80	2	1	99	6	61	1	490
16:30	2	136	100	0	5	2	4	0	50	79	1	0	99	7	68	0	553
16:45	7	125	95	0	2	5	3	2	80	70	4	1	70	6	65	0	535
Total	35	454	373	0	11	14	13	5	218	290	9	2	348	24	255	1	2052
17:00	9	121	101	0	3	4	1	3	60	90	3	0	116	17	69	0	597
17:15	10	129	120	1	3	9	2	1	80	70	4	0	98	12	90	1	630
17:30	9	109	105	0	0	10	8	1	53	64	1	0	97	8	75	0	540
17:45	19	133	100	0	1	7	2	0	47	69	1	0	82	0	53	0	514
Total	47	492	426	1	7	30	13	5	240	293	9	0	393	37	287	1	2281
Grand Total	321	2275	1817	12	60	134	94	18	1335	2690	91	7	3206	402	1419	7	13888
Apprch %	7.3	51.4	41.1	0.3	19.6	43.8	30.7	5.9	32.4	65.2	2.2	0.2	63.7	8	28.2	0.1	
Total %	2.3	16.4	13.1	0.1	0.4	1	0.7	0.1	9.6	19.4	0.7	0.1	23.1	2.9	10.2	0.1	

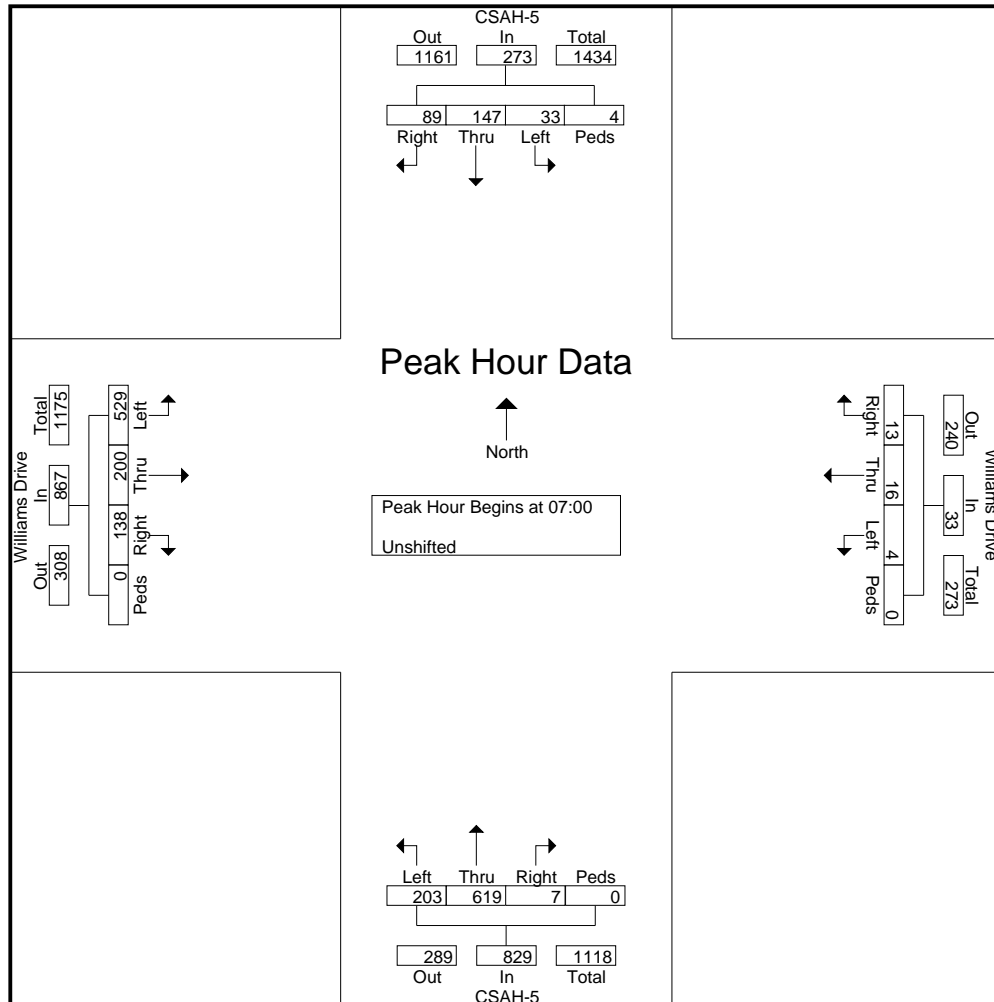
TRAFFIC DATA INC.

3268 Xenwood Ave S
St Louis Park, MN 55416

Williams Drive at CSAH-5 BURNSVILLE
(S of TH-13)
Data by: Traffic Data Inc
TURN MOVEMENT COUNT

File Name : Williams Drive at CSAH-5 2009
Site Code : 01829119
Start Date : 5/12/2009
Page No : 3

Start Time	CSAH-5 Southbound					Williams Drive Westbound					CSAH-5 Northbound					Williams Drive Eastbound					Int. Total
	Left	Thru	Right	Peds	App. Total	Left	Thru	Right	Peds	App. Total	Left	Thru	Right	Peds	App. Total	Left	Thru	Right	Peds	App. Total	
Peak Hour Analysis From 06:00 to 08:45 - Peak 1 of 1																					
Peak Hour for Entire Intersection Begins at 07:00																					
07:00	6	31	13	2	52	2	1	5	0	8	36	160	1	0	197	134	48	29	0	211	468
07:15	8	42	31	0	81	0	5	4	0	9	60	168	3	0	231	114	59	34	0	207	528
07:30	10	28	20	1	59	0	5	1	0	6	64	166	2	0	232	139	51	39	0	229	526
07:45	9	46	25	1	81	2	5	3	0	10	43	125	1	0	169	142	42	36	0	220	480
Total Volume	33	147	89	4	273	4	16	13	0	33	203	619	7	0	829	529	200	138	0	867	2002
% App. Total	12.1	53.8	32.6	1.5		12.1	48.5	39.4	0		24.5	74.7	0.8	0		61	23.1	15.9	0		
PHF	.825	.799	.718	.500	.843	.500	.800	.650	.000	.825	.793	.921	.583	.000	.893	.931	.847	.885	.000	.947	.948



TRAFFIC DATA INC.

3268 Xenwood Ave S
St Louis Park, MN 55416

Williams Drive at CSAH-5 BURNSVILLE
(S of TH-13)
Data by: Traffic Data Inc
TURN MOVEMENT COUNT

File Name : Williams Drive at CSAH-5 2009
Site Code : 01829119
Start Date : 5/12/2009
Page No : 4

Start Time	CSAH-5 Southbound					Williams Drive Westbound					CSAH-5 Northbound					Williams Drive Eastbound					Int. Total
	Left	Thru	Right	Peds	App. Total	Left	Thru	Right	Peds	App. Total	Left	Thru	Right	Peds	App. Total	Left	Thru	Right	Peds	App. Total	
Peak Hour Analysis From 15:00 to 17:45 - Peak 1 of 1																					
Peak Hour for Entire Intersection Begins at 16:30																					
16:30	2	136	100	0	238	5	2	4	0	11	50	79	1	0	130	99	7	68	0	174	553
16:45	7	125	95	0	227	2	5	3	2	12	80	70	4	1	155	70	6	65	0	141	535
17:00	9	121	101	0	231	3	4	1	3	11	60	90	3	0	153	116	17	69	0	202	597
17:15	10	129	120	1	260	3	9	2	1	15	80	70	4	0	154	98	12	90	1	201	630
Total Volume	28	511	416	1	956	13	20	10	6	49	270	309	12	1	592	383	42	292	1	718	2315
% App. Total	2.9	53.5	43.5	0.1		26.5	40.8	20.4	12.2		45.6	52.2	2	0.2		53.3	5.8	40.7	0.1		
PHF	.700	.939	.867	.250	.919	.650	.556	.625	.500	.817	.844	.858	.750	.250	.955	.825	.618	.811	.250	.889	.919

