

Alliant Engineering, Inc

233 Park Ave Suite 300
 Minneapolis, MN 55415

--TRAFFIC DATA --

TH-13 at Silver Bell Road
 Ref.Pt.:102+00.567
 data by : Alliant Inc.
 TURN MOVEMENT COUNT

File Name : 540_TH 13 & Silver Bell Rd
 Site Code : 540
 Start Date : 1/26/2017
 Page No : 1

Groups Printed- Vehicles - Trucks

Start Time	TH 13 From North					Silver Bell Rd From East					TH 13 From South					Silver Bell Rd From West					Int. Total
	Other	Rght	Thru	Left	App. Total	Other	Rght	Thru	Left	App. Total	Other	Rght	Thru	Left	App. Total	Other	Rght	Thru	Left	App. Total	
06:00 AM	0	3	65	4	72	0	12	3	48	63	0	10	85	7	102	0	5	1	4	10	247
06:15 AM	0	1	85	7	93	0	27	5	72	104	0	13	101	14	128	0	7	0	3	10	335
06:30 AM	0	2	102	7	111	0	33	2	91	126	2	33	156	2	193	0	8	0	3	11	441
06:45 AM	0	8	92	9	109	0	30	7	88	125	0	18	212	13	243	0	11	1	3	15	492
Total	0	14	344	27	385	0	102	17	299	418	2	74	554	36	666	0	31	2	13	46	1515
07:00 AM	0	13	120	11	144	0	41	8	102	151	0	26	231	14	271	0	16	3	9	28	594
07:15 AM	0	7	111	7	125	0	48	5	137	190	0	23	281	19	323	0	18	1	4	23	661
07:30 AM	0	9	149	10	168	0	66	2	138	206	0	46	352	15	413	0	13	2	5	20	807
07:45 AM	0	14	151	15	180	0	64	8	107	179	0	49	359	36	444	0	17	4	6	27	830
Total	0	43	531	43	617	0	219	23	484	726	0	144	1223	84	1451	0	64	10	24	98	2892
08:00 AM	0	24	107	17	148	1	29	17	86	133	3	53	261	38	355	0	17	2	6	25	661
08:15 AM	0	30	120	12	162	0	27	10	89	126	1	43	234	48	326	0	15	6	7	28	642
08:30 AM	0	17	112	23	152	0	37	11	53	101	4	41	185	42	272	0	30	5	13	48	573
08:45 AM	0	16	112	23	151	2	36	14	76	128	2	51	174	23	250	0	25	6	15	46	575
Total	0	87	451	75	613	3	129	52	304	488	10	188	854	151	1203	0	87	19	41	147	2451
09:00 AM	0	7	113	17	137	0	30	8	49	87	0	43	154	17	214	0	16	5	8	29	467
09:15 AM	0	12	101	15	128	0	25	19	48	92	1	39	136	11	187	0	13	9	5	27	434
*** BREAK ***																					
Total	0	19	214	32	265	0	55	27	97	179	1	82	290	28	401	0	29	14	13	56	901
*** BREAK ***																					
10:30 AM	0	4	99	23	126	1	16	2	34	53	0	56	79	11	146	0	20	10	9	39	364
10:45 AM	0	8	99	24	131	0	33	4	58	95	0	64	111	5	180	0	24	2	10	36	442
Total	0	12	198	47	257	1	49	6	92	148	0	120	190	16	326	0	44	12	19	75	806
11:00 AM	0	13	94	57	164	0	24	3	34	61	0	61	87	4	152	0	18	13	7	38	415
11:15 AM	0	15	89	43	147	0	34	15	49	98	4	79	99	17	199	0	14	11	11	36	480
11:30 AM	0	8	132	52	192	3	36	7	53	99	1	55	68	9	133	0	18	9	11	38	462
11:45 AM	0	15	124	29	168	2	37	15	49	103	1	51	95	11	158	0	12	22	11	45	474
Total	0	51	439	181	671	5	131	40	185	361	6	246	349	41	642	0	62	55	40	157	1831
12:00 PM	0	7	128	57	192	0	30	13	58	101	1	82	97	2	182	0	20	16	8	44	519
12:15 PM	0	13	100	37	150	1	40	16	48	105	1	71	86	11	169	0	22	21	5	48	472
12:30 PM	0	9	112	45	166	1	47	16	64	128	1	73	112	7	193	0	29	20	10	59	546
12:45 PM	0	12	101	50	163	0	32	18	70	120	0	75	113	23	211	0	15	12	4	31	525
Total	0	41	441	189	671	2	149	63	240	454	3	301	408	43	755	0	86	69	27	182	2062
01:00 PM	0	8	117	54	179	0	49	12	38	99	0	70	112	11	193	0	19	18	6	43	514
01:15 PM	0	9	106	33	148	3	51	10	60	124	2	72	112	8	194	0	10	14	10	34	500
*** BREAK ***																					
Total	0	17	223	87	327	3	100	22	98	223	2	142	224	19	387	0	29	32	16	77	1014
*** BREAK ***																					
02:30 PM	0	9	158	38	205	4	30	7	63	104	2	89	98	12	201	0	17	4	12	33	543
02:45 PM	0	6	141	44	191	4	27	10	70	111	0	89	120	9	218	0	21	4	7	32	552
Total	0	15	299	82	396	8	57	17	133	215	2	178	218	21	419	0	38	8	19	65	1095
03:00 PM	0	8	181	41	230	1	33	13	45	92	4	89	112	14	219	0	23	8	9	40	581
03:15 PM	0	15	175	40	230	1	36	8	60	105	0	100	136	17	253	0	31	10	13	54	642
03:30 PM	0	12	212	57	281	1	30	17	48	96	1	99	142	25	267	0	28	12	21	61	705
03:45 PM	0	9	210	49	268	2	31	15	59	107	2	125	134	22	283	0	62	16	28	106	764
Total	0	44	778	187	1009	5	130	53	212	400	7	413	524	78	1022	0	144	46	71	261	2692
04:00 PM	0	15	268	49	332	0	43	12	44	99	2	125	165	10	302	0	64	17	21	102	835
04:15 PM	0	11	231	64	306	2	27	20	60	109	1	103	171	19	294	0	46	12	17	75	784
04:30 PM	0	10	390	66	466	0	28	11	55	94	1	117	169	25	312	0	28	13	14	55	927
04:45 PM	0	17	282	66	365	0	37	15	63	115	0	139	183	22	344	0	44	21	20	85	909
Total	0	53	1171	245	1469	2	135	58	222	417	4	484	688	76	1252	0	182	63	72	317	3455

Alliant Engineering, Inc

233 Park Ave Suite 300

Minneapolis, MN 55415

--TRAFFIC DATA --

TH-13 at Silver Bell Road
 Ref.Pt.:102+00.567
 data by : Alliant Inc.
 TURN MOVEMENT COUNT

File Name : 540_TH 13 & Silver Bell Rd
 Site Code : 540
 Start Date : 1/26/2017
 Page No : 2

Groups Printed- Vehicles - Trucks

Start Time	TH 13 From North					Silver Bell Rd From East					TH 13 From South					Silver Bell Rd From West					Int. Total
	Other	Rght	Thru	Left	App. Total	Other	Rght	Thru	Left	App. Total	Other	Rght	Thru	Left	App. Total	Other	Rght	Thru	Left	App. Total	
05:00 PM	0	5	271	104	380	0	54	20	86	160	0	156	148	16	320	0	66	50	39	155	1015
05:15 PM	0	9	263	100	372	0	37	10	58	105	0	160	191	8	359	0	32	16	18	66	902
05:30 PM	0	6	221	67	294	0	54	9	84	147	0	159	146	8	313	0	40	22	10	72	826
05:45 PM	0	6	179	59	244	2	39	14	98	153	1	145	164	5	315	0	31	19	15	65	777
Total	0	26	934	330	1290	2	184	53	326	565	1	620	649	37	1307	0	169	107	82	358	3520
Grand Total	0	422	6023	1525	7970	31	1440	431	2692	4594	38	2992	6171	630	9831	0	965	437	437	1839	24234
Apprch %	0	5.3	75.6	19.1		0.7	31.3	9.4	58.6		0.4	30.4	62.8	6.4		0	52.5	23.8	23.8		
Total %	0	1.7	24.9	6.3	32.9	0.1	5.9	1.8	11.1	19	0.2	12.3	25.5	2.6	40.6	0	4	1.8	1.8	7.6	
Vehicles	0	401	5637	1487	7525	0	1422	405	2689	4516	1	2695	6079	625	9400	0	890	422	405	1717	23158
% Vehicles	0	95	93.6	97.5	94.4	0	98.8	94	99.9	98.3	2.6	90.1	98.5	99.2	95.6	0	92.2	96.6	92.7	93.4	95.6
Trucks	0	21	386	38	445	31	18	26	3	78	37	297	92	5	431	0	75	15	32	122	1076
% Trucks	0	5	6.4	2.5	5.6	100	1.2	6	0.1	1.7	97.4	9.9	1.5	0.8	4.4	0	7.8	3.4	7.3	6.6	4.4

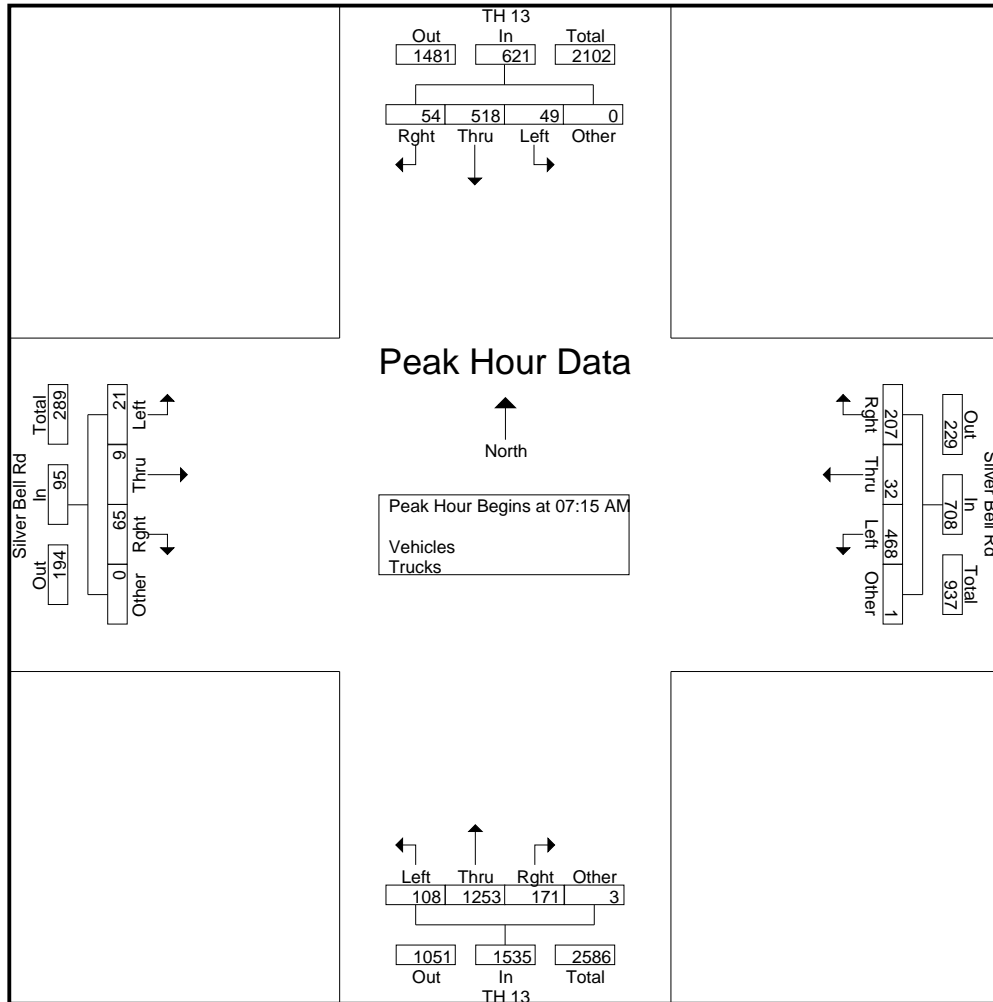
Alliant Engineering, Inc

233 Park Ave Suite 300
 Minneapolis, MN 55415
 --TRAFFIC DATA --

TH-13 at Silver Bell Road
 Ref.Pt.:102+00.567
 data by : Alliant Inc.
 TURN MOVEMENT COUNT

File Name : 540_TH 13 & Silver Bell Rd
 Site Code : 540
 Start Date : 1/26/2017
 Page No : 3

Start Time	TH 13 From North					Silver Bell Rd From East					TH 13 From South					Silver Bell Rd From West					Int. Total
	Other	Rght	Thru	Left	App. Total	Other	Rght	Thru	Left	App. Total	Other	Rght	Thru	Left	App. Total	Other	Rght	Thru	Left	App. Total	
Peak Hour Analysis From 06:00 AM to 11:45 AM - Peak 1 of 1																					
Peak Hour for Entire Intersection Begins at 07:15 AM																					
07:15 AM	0	7	111	7	125	0	48	5	137	190	0	23	281	19	323	0	18	1	4	23	661
07:30 AM	0	9	149	10	168	0	66	2	138	206	0	46	352	15	413	0	13	2	5	20	807
07:45 AM	0	14	151	15	180	0	64	8	107	179	0	49	359	36	444	0	17	4	6	27	830
08:00 AM	0	24	107	17	148	1	29	17	86	133	3	53	261	38	355	0	17	2	6	25	661
Total Volume	0	54	518	49	621	1	207	32	468	708	3	171	1253	108	1535	0	65	9	21	95	2959
% App. Total	0	8.7	83.4	7.9		0.1	29.2	4.5	66.1		0.2	11.1	81.6	7		0	68.4	9.5	22.1		
PHF	.000	.563	.858	.721	.863	.250	.784	.471	.848	.859	.250	.807	.873	.711	.864	.000	.903	.563	.875	.880	.891



Alliant Engineering, Inc

233 Park Ave Suite 300
 Minneapolis, MN 55415
 --TRAFFIC DATA --

TH-13 at Silver Bell Road
 Ref.Pt.:102+00.567
 data by : Alliant Inc.
 TURN MOVEMENT COUNT

File Name : 540_TH 13 & Silver Bell Rd
 Site Code : 540
 Start Date : 1/26/2017
 Page No : 4

Start Time	TH 13 From North					Silver Bell Rd From East					TH 13 From South					Silver Bell Rd From West					Int. Total
	Other	Rgh t	Thr u	Left	App. Total	Other	Rgh t	Thr u	Left	App. Total	Other	Rgh t	Thr u	Left	App. Total	Other	Rgh t	Thr u	Left	App. Total	
Peak Hour Analysis From 12:00 PM to 05:45 PM - Peak 1 of 1																					
Peak Hour for Entire Intersection Begins at 04:30 PM																					
04:30 PM	0	10	390	66	466	0	28	11	55	94	1	117	169	25	312	0	28	13	14	55	927
04:45 PM	0	17	282	66	365	0	37	15	63	115	0	139	183	22	344	0	44	21	20	85	909
05:00 PM	0	5	271	104	380	0	54	20	86	160	0	156	148	16	320	0	66	50	39	155	1015
05:15 PM	0	9	263	100	372	0	37	10	58	105	0	160	191	8	359	0	32	16	18	66	902
Total Volume	0	41	1206	336	1583	0	156	56	262	474	1	572	691	71	1335	0	170	100	91	361	3753
% App. Total	0	2.6	76.2	21.2		0	32.9	11.8	55.3		0.1	42.8	51.8	5.3		0	47.1	27.7	25.2		
PHF	.000	.603	.773	.808	.849	.000	.722	.700	.762	.741	.250	.894	.904	.710	.930	.000	.644	.500	.583	.582	.924

