



MINNESOTA DEPT OF TRANSPORTATION

TRAFFIC COLLECTION - METRO

Location: TH 284 AT CR 153
 REF.PT: 001+00.493
 JAMAR#632\DR
 TURN MOVEMENT COUNT

File Name : TH 284 AT CR 153 2006
 Site Code : 00000000
 Start Date : 2/14/2006
 Page No : 1

Groups Printed- Cars & Trucks

Start Time	TH 284 Southbound					CR 153 Westbound					TH 284 Northbound					CR 153 Eastbound					Int. Total
	Right	Thru	Left	Peds	App. Total	Right	Thru	Left	Peds	App. Total	Right	Thru	Left	Peds	App. Total	Right	Thru	Left	Peds	App. Total	
06:00	0	8	0	0	8	0	0	1	0	1	1	13	0	0	14	0	0	0	0	0	23
06:15	0	5	0	0	5	0	0	0	0	0	0	21	0	0	21	0	1	2	0	3	29
06:30	1	14	0	0	15	0	0	0	0	0	0	16	0	0	16	0	0	2	0	2	33
06:45	0	9	0	0	9	0	0	1	0	1	0	17	0	0	17	0	0	8	0	8	35
Total	1	36	0	0	37	0	0	2	0	2	1	67	0	0	68	0	1	12	0	13	120
07:00	1	13	1	0	15	0	0	1	0	1	2	24	0	0	26	1	1	1	0	3	45
07:15	1	8	1	0	10	0	0	0	0	0	0	18	0	0	18	0	2	3	0	5	33
07:30	4	20	0	0	24	1	0	0	0	1	1	35	0	0	36	0	1	3	0	4	65
07:45	4	16	0	0	20	1	0	1	0	2	1	35	1	0	37	0	1	4	0	5	64
Total	10	57	2	0	69	2	0	2	0	4	4	112	1	0	117	1	5	11	0	17	207
08:00	1	18	1	0	20	0	0	0	0	0	0	23	0	0	23	1	0	0	0	1	44
08:15	0	8	0	0	8	1	0	0	0	1	0	16	0	0	16	1	1	1	0	3	28
08:30	1	5	1	0	7	1	0	0	0	1	0	15	0	0	15	0	0	1	0	1	24
08:45	2	15	0	0	17	0	0	0	0	0	0	14	0	0	14	0	0	2	0	2	33
Total	4	46	2	0	52	2	0	0	0	2	0	68	0	0	68	2	1	4	0	7	129
15:00	3	20	1	0	24	0	0	0	0	0	0	17	0	0	17	1	0	4	0	5	46
15:15	4	17	0	0	21	0	0	0	0	0	2	16	0	0	18	0	0	0	0	0	39
15:30	6	29	0	0	35	1	0	0	0	1	0	14	0	0	14	0	0	1	0	1	51
15:45	3	34	0	0	37	0	1	1	0	2	0	12	0	0	12	0	0	1	0	1	52
Total	16	100	1	0	117	1	1	1	0	3	2	59	0	0	61	1	0	6	0	7	188
16:00	2	34	0	0	36	0	0	0	0	0	0	25	2	0	27	0	0	3	0	3	66
16:15	5	20	0	0	25	0	0	0	0	0	0	19	1	0	20	0	1	2	0	3	48
16:30	5	36	0	0	41	0	1	0	0	1	0	18	0	0	18	1	0	0	0	1	61
16:45	3	23	1	0	27	0	0	0	0	0	0	17	0	0	17	1	0	3	0	4	48
Total	15	113	1	0	129	0	1	0	0	1	0	79	3	0	82	2	1	8	0	11	223
17:00	7	33	0	0	40	0	1	0	0	1	2	28	2	0	32	0	0	0	0	0	73
17:15	1	21	0	0	22	1	0	1	0	2	1	20	0	0	21	0	0	2	0	2	47
17:30	1	37	0	0	38	0	0	0	0	0	1	16	0	0	17	2	0	2	0	4	59
17:45	3	19	1	0	23	1	2	1	0	4	0	19	1	0	20	3	0	1	0	4	51
Total	12	110	1	0	123	2	3	2	0	7	4	83	3	0	90	5	0	5	0	10	230
Grand Total	58	462	7	0	527	7	5	7	0	19	11	468	7	0	486	11	8	46	0	65	1097
Apprch %	11	87.7	1.3	0		36.8	26.3	36.8	0		2.3	96.3	1.4	0		16.9	12.3	70.8	0		
Total %	5.3	42.1	0.6	0	48	0.6	0.5	0.6	0	1.7	1	42.7	0.6	0	44.3	1	0.7	4.2	0	5.9	



MINNESOTA DEPT OF TRANSPORTATION

TRAFFIC COLLECTION - METRO

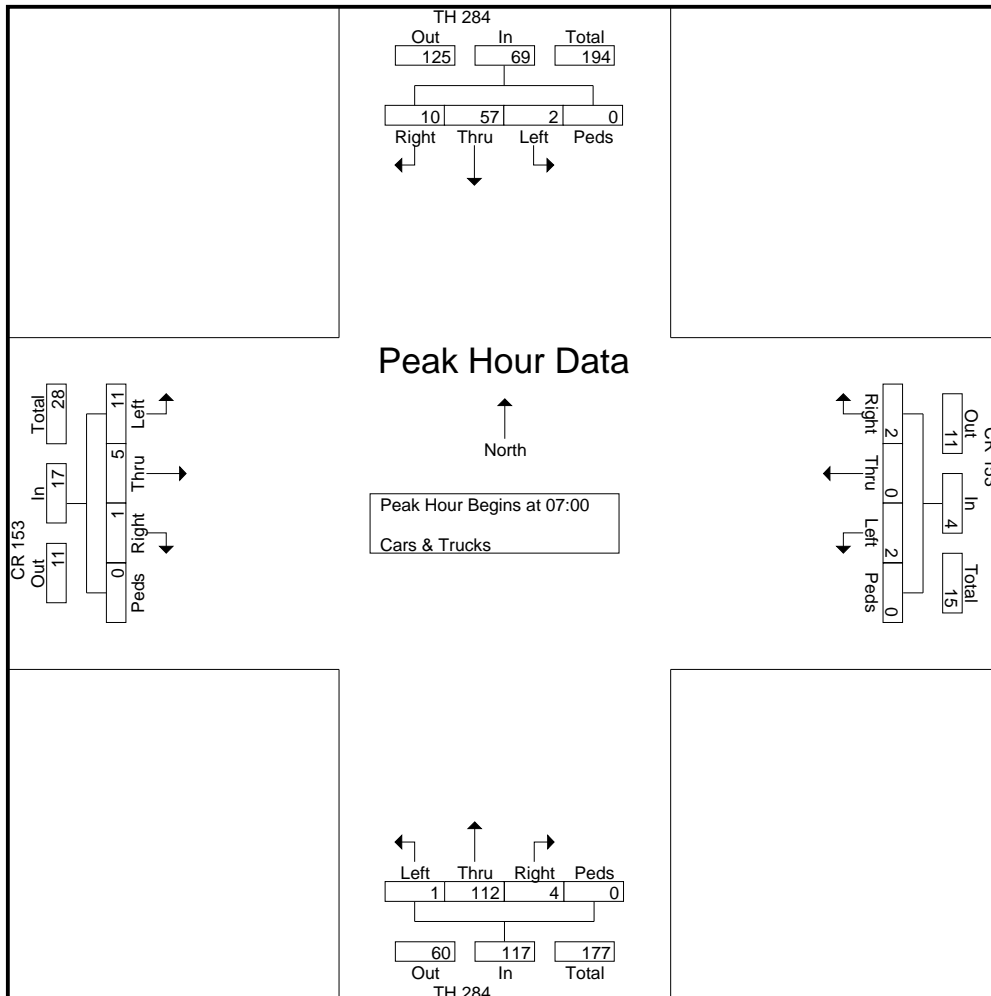
File Name : TH 284 AT CR 153 2006

Site Code : 00000000

Start Date : 2/14/2006

Page No : 2

Start Time	TH 284 Southbound					CR 153 Westbound					TH 284 Northbound					CR 153 Eastbound					Int. Total
	Right	Thru	Left	Peds	App. Total	Right	Thru	Left	Peds	App. Total	Right	Thru	Left	Peds	App. Total	Right	Thru	Left	Peds	App. Total	
Peak Hour Analysis From 06:00 to 08:45 - Peak 1 of 1																					
Peak Hour for Entire Intersection Begins at 07:00																					
07:00	1	13	1	0	15	0	0	1	0	1	2	24	0	0	26	1	1	1	0	3	45
07:15	1	8	1	0	10	0	0	0	0	0	0	18	0	0	18	0	2	3	0	5	33
07:30	4	20	0	0	24	1	0	0	0	1	1	35	0	0	36	0	1	3	0	4	65
07:45	4	16	0	0	20	1	0	1	0	2	1	35	1	0	37	0	1	4	0	5	64
Total Volume	10	57	2	0	69	2	0	2	0	4	4	112	1	0	117	1	5	11	0	17	207
% App. Total	14.5	82.6	2.9	0		50	0	50	0		3.4	95.7	0.9	0		5.9	29.4	64.7	0		
PHF	.625	.713	.500	.000	.719	.500	.000	.500	.000	.500	.500	.800	.250	.000	.791	.250	.625	.688	.000	.850	.796





MINNESOTA DEPT OF TRANSPORTATION

TRAFFIC COLLECTION - METRO

File Name : TH 284 AT CR 153 2006

Site Code : 00000000

Start Date : 2/14/2006

Page No : 3

Start Time	TH 284 Southbound					CR 153 Westbound					TH 284 Northbound					CR 153 Eastbound					Int. Total
	Right	Thru	Left	Peds	App. Total	Right	Thru	Left	Peds	App. Total	Right	Thru	Left	Peds	App. Total	Right	Thru	Left	Peds	App. Total	
Peak Hour Analysis From 15:00 to 17:45 - Peak 1 of 1																					
Peak Hour for Entire Intersection Begins at 16:15																					
16:15	5	20	0	0	25	0	0	0	0	0	0	19	1	0	20	0	1	2	0	3	48
16:30	5	36	0	0	41	0	1	0	0	1	0	18	0	0	18	1	0	0	0	1	61
16:45	3	23	1	0	27	0	0	0	0	0	0	17	0	0	17	1	0	3	0	4	48
17:00	7	33	0	0	40	0	1	0	0	1	2	28	2	0	32	0	0	0	0	0	73
Total Volume	20	112	1	0	133	0	2	0	0	2	2	82	3	0	87	2	1	5	0	8	230
% App. Total	15	84.2	0.8	0		0	100	0	0		2.3	94.3	3.4	0		25	12.5	62.5	0		
PHF	.714	.778	.250	.000	.811	.000	.500	.000	.000	.500	.250	.732	.375	.000	.680	.500	.250	.417	.000	.500	.788

