

Alliant Engineering

Minneapolis, MN 55415

--TRAFFIC DATA --

TH-3 at Connemara Trail W ROSEMOUNT
 Ref.Pt.: 033.817
 data by Alliant Engineering
 TURN MOVEMENT COUNT

File Name : 305 - TH 3 and Connemara Trail
 Site Code : 305
 Start Date : 4/7/2015
 Page No : 1

Groups Printed- Cars - Trucks

Start Time	TH-3 Southbound				Connemara Trail W Westbound				TH-3 Northbound				Connemara Trail W Eastbound				Int. Total
	Left	Thru	Rght	Bikes	Left	Thru	Rght	Bikes	Left	Thru	Rght	Bikes	Left	Thru	Rght	Bikes	
06:00	0	34	1	0	8	4	36	0	0	59	1	0	6	6	8	0	163
06:15	2	27	2	0	7	1	30	0	2	95	8	0	4	9	11	0	198
06:30	3	39	5	0	13	3	50	1	3	93	2	0	15	7	10	0	244
06:45	16	84	7	0	19	10	59	0	6	124	6	0	30	15	26	0	402
Total	21	184	15	0	47	18	175	1	11	371	17	0	55	37	55	0	1007
07:00	9	106	7	1	35	16	72	0	6	140	5	0	27	12	55	0	491
07:15	11	110	1	0	46	15	65	0	4	158	4	0	31	18	72	0	535
07:30	19	66	4	0	35	17	50	0	10	188	11	0	55	15	38	0	508
07:45	15	86	10	0	28	20	72	0	7	174	5	0	44	15	33	0	509
Total	54	368	22	1	144	68	259	0	27	660	25	0	157	60	198	0	2043
08:00	22	84	2	0	25	21	53	0	12	117	11	0	20	16	20	0	403
08:15	9	42	4	0	11	13	42	0	3	104	10	0	25	16	16	0	295
08:30	13	45	9	0	10	11	40	0	7	97	8	0	20	8	8	0	276
08:45	7	38	10	0	16	13	25	0	5	80	9	0	10	9	9	0	231
Total	51	209	25	0	62	58	160	0	27	398	38	0	75	49	53	0	1205
09:00	6	66	8	0	15	29	29	0	10	77	9	0	22	12	16	0	299
09:15	12	87	11	0	26	19	25	0	9	78	13	0	14	13	21	0	328
*** BREAK ***																	
Total	18	153	19	0	41	48	54	0	19	155	22	0	36	25	37	0	627
*** BREAK ***																	
10:30	8	43	4	0	9	5	13	0	6	57	12	0	12	6	9	0	184
10:45	4	49	6	0	11	11	12	0	4	51	5	0	5	8	13	0	179
Total	12	92	10	0	20	16	25	0	10	108	17	0	17	14	22	0	363
11:00	3	47	8	0	9	1	4	0	2	58	9	0	7	6	12	0	166
11:15	10	48	4	0	4	5	8	0	6	41	7	0	4	7	16	0	160
11:30	8	57	7	0	5	5	14	0	5	49	9	0	9	9	18	0	195
11:45	6	61	6	0	10	5	8	0	11	42	9	0	10	6	8	0	182
Total	27	213	25	0	28	16	34	0	24	190	34	0	30	28	54	0	703
12:00	10	58	11	0	12	10	12	0	17	49	11	0	10	5	12	0	217
12:15	8	50	13	0	8	8	9	0	19	66	8	0	3	4	6	0	202
12:30	9	53	3	0	3	11	17	0	17	69	13	0	8	8	11	0	222
12:45	5	67	7	0	10	11	13	0	8	47	7	0	7	11	9	1	203
Total	32	228	34	0	33	40	51	0	61	231	39	0	28	28	38	1	844
13:00	6	45	3	0	5	7	8	0	8	58	8	0	6	9	9	0	172
13:15	13	53	7	0	11	11	12	0	13	61	7	0	5	3	7	0	203
*** BREAK ***																	
Total	19	98	10	0	16	18	20	0	21	119	15	0	11	12	16	0	375
*** BREAK ***																	
14:30	14	85	8	0	10	13	4	0	43	114	23	0	8	15	18	4	359
14:45	19	83	17	0	15	14	14	0	14	66	11	0	13	21	17	0	304
Total	33	168	25	0	25	27	18	0	57	180	34	0	21	36	35	4	663
15:00	11	82	17	1	15	15	12	1	14	80	17	0	9	9	23	0	306
15:15	29	90	13	0	11	19	17	0	15	80	12	0	7	9	16	0	318
15:30	24	106	13	0	2	19	14	0	22	99	17	0	12	16	21	1	366
15:45	33	145	16	0	10	16	26	0	22	75	16	0	6	28	17	0	410
Total	97	423	59	1	38	69	69	1	73	334	62	0	34	62	77	1	1400
16:00	30	123	24	0	19	16	16	0	17	81	9	0	7	22	22	0	386
16:15	29	164	27	0	11	18	14	0	25	90	27	0	13	13	15	0	446
16:30	34	146	20	0	27	16	29	0	31	98	18	0	14	17	22	0	472

Alliant Engineering

Minneapolis, MN 55415

--TRAFFIC DATA --

TH-3 at Connemara Trail W ROSEMOUNT
 Ref.Pt.: 033.817
 data by Alliant Engineering
 TURN MOVEMENT COUNT

File Name : 305 - TH 3 and Connemara Trail
 Site Code : 305
 Start Date : 4/7/2015
 Page No : 2

Groups Printed- Cars - Trucks

Start Time	TH-3 Southbound				Connemara Trail W Westbound				TH-3 Northbound				Connemara Trail W Eastbound				Int. Total
	Left	Thru	Rght	Bikes	Left	Thru	Rght	Bikes	Left	Thru	Rght	Bikes	Left	Thru	Rght	Bikes	
16:45	35	183	29	0	19	14	18	0	17	111	18	0	15	20	16	0	495
Total	128	616	100	0	76	64	77	0	90	380	72	0	49	72	75	0	1799
17:00	40	154	29	0	25	15	14	0	25	100	31	0	4	17	32	0	486
17:15	50	165	41	0	21	14	17	0	23	100	19	0	18	35	24	0	527
17:30	64	159	29	0	13	15	13	0	28	65	23	0	22	23	20	0	474
17:45	35	134	22	0	34	18	21	0	21	79	15	0	15	31	16	0	441
Total	189	612	121	0	93	62	65	0	97	344	88	0	59	106	92	0	1928
18:00	11	36	21	0	0	0	0	0	0	0	0	0	0	0	0	0	68
Grand Total	692	3400	486	2	623	504	1007	2	517	3470	463	0	572	529	752	6	13025
Apprch %	15.1	74.2	10.6	0	29.2	23.6	47.1	0.1	11.6	78	10.4	0	30.8	28.5	40.5	0.3	
Total %	5.3	26.1	3.7	0	4.8	3.9	7.7	0	4	26.6	3.6	0	4.4	4.1	5.8	0	
Cars	658	3218	472	0	606	486	985	0	508	3346	448	0	556	504	730	0	12517
% Cars	95.1	94.6	97.1	0	97.3	96.4	97.8	0	98.3	96.4	96.8	0	97.2	95.3	97.1	0	96.1
Trucks	34	182	14	2	17	18	22	2	9	124	15	0	16	25	22	6	508
% Trucks	4.9	5.4	2.9	100	2.7	3.6	2.2	100	1.7	3.6	3.2	0	2.8	4.7	2.9	100	3.9

Alliant Engineering

Minneapolis, MN 55415

--TRAFFIC DATA --

TH-3 at Connemara Trail W ROSEMOUNT

Ref.Pt.: 033.817

data by Alliant Engineering

TURN MOVEMENT COUNT

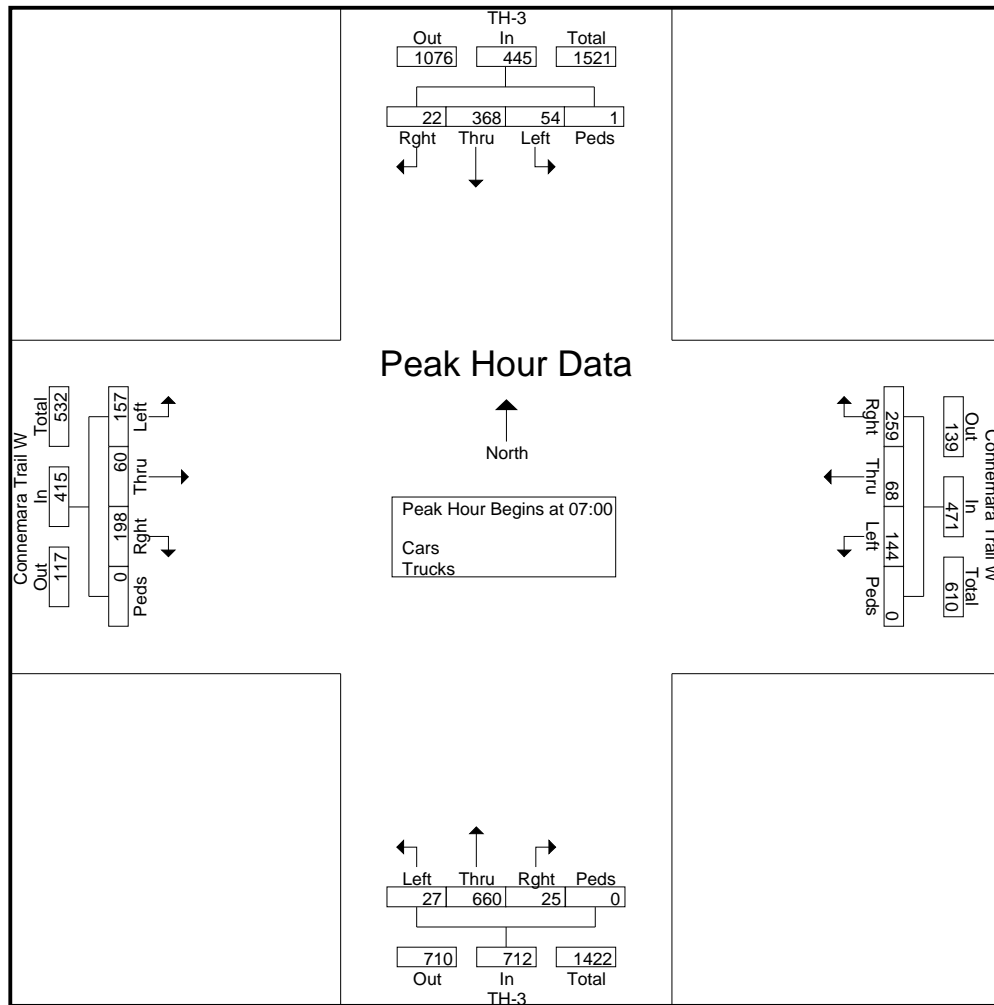
File Name : 305 - TH 3 and Connemara Trail

Site Code : 305

Start Date : 4/7/2015

Page No : 3

Start Time	TH-3 Southbound					Connemara Trail W Westbound					TH-3 Northbound					Connemara Trail W Eastbound					Int. Total
	Left	Thru	Right	Bikes	App. Total	Left	Thru	Right	Bikes	App. Total	Left	Thru	Right	Bikes	App. Total	Left	Thru	Right	Bikes	App. Total	
Peak Hour Analysis From 06:00 to 11:45 - Peak 1 of 1																					
Peak Hour for Entire Intersection Begins at 07:00																					
07:00	9	106	7	1	123	35	16	72	0	123	6	140	5	0	151	27	12	55	0	94	491
07:15	11	110	1	0	122	46	15	65	0	126	4	158	4	0	166	31	18	72	0	121	535
07:30	19	66	4	0	89	35	17	50	0	102	10	188	11	0	209	55	15	38	0	108	508
07:45	15	86	10	0	111	28	20	72	0	120	7	174	5	0	186	44	15	33	0	92	509
Total Volume	54	368	22	1	445	144	68	259	0	471	27	660	25	0	712	157	60	198	0	415	2043
% App. Total	12.1	82.7	4.9	0.2		30.6	14.4	55	0		3.8	92.7	3.5	0		37.8	14.5	47.7	0		
PHF	.711	.836	.550	.250	.904	.783	.850	.899	.000	.935	.675	.878	.568	.000	.852	.714	.833	.688	.000	.857	.955



Alliant Engineering

Minneapolis, MN 55415

--TRAFFIC DATA --

TH-3 at Connemara Trail W ROSEMOUNT
 Ref.Pt.: 033.817
 data by Alliant Engineering
 TURN MOVEMENT COUNT

File Name : 305 - TH 3 and Connemara Trail
 Site Code : 305
 Start Date : 4/7/2015
 Page No : 4

Start Time	TH-3 Southbound					Connemara Trail W Westbound					TH-3 Northbound					Connemara Trail W Eastbound					Int. Total
	Left	Thru	Rght	Bikes	App. Total	Left	Thru	Rght	Bikes	App. Total	Left	Thru	Rght	Bikes	App. Total	Left	Thru	Rght	Bikes	App. Total	
Peak Hour Analysis From 12:00 to 18:00 - Peak 1 of 1																					
Peak Hour for Entire Intersection Begins at 16:45																					
16:45	35	183	29	0	247	19	14	18	0	51	17	111	18	0	146	15	20	16	0	51	495
17:00	40	154	29	0	223	25	15	14	0	54	25	100	31	0	156	4	17	32	0	53	486
17:15	50	165	41	0	256	21	14	17	0	52	23	100	19	0	142	18	35	24	0	77	527
17:30	64	159	29	0	252	13	15	13	0	41	28	65	23	0	116	22	23	20	0	65	474
Total Volume	189	661	128	0	978	78	58	62	0	198	93	376	91	0	560	59	95	92	0	246	1982
% App. Total	19.3	67.6	13.1	0		39.4	29.3	31.3	0		16.6	67.1	16.2	0		24	38.6	37.4	0		
PHF	.738	.903	.780	.000	.955	.780	.967	.861	.000	.917	.830	.847	.734	.000	.897	.670	.679	.719	.000	.799	.940