



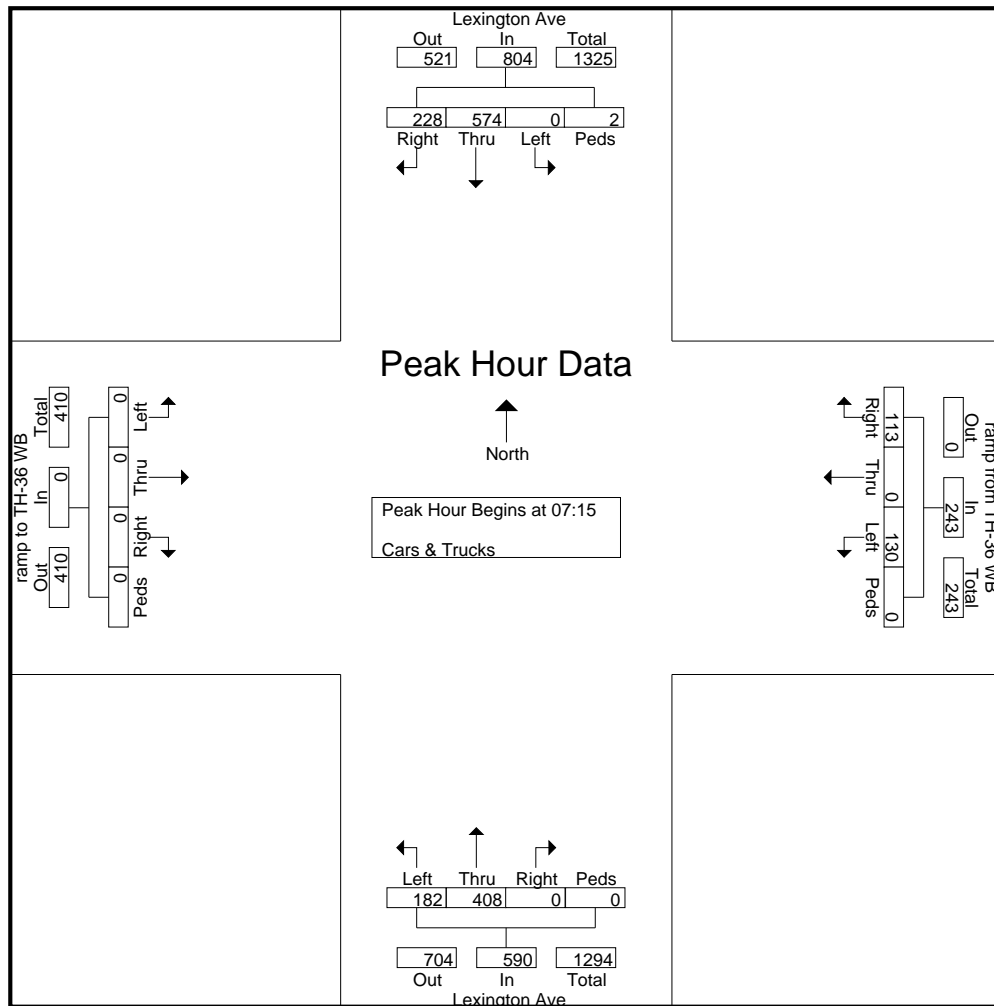
MINNESOTA DEPT OF TRANSPORTATION

TRAFFIC DATA COLLECTION - METRO

TH-36 at Lexington Ave, N ramps
 Ref.Pt.: 002.253
 JAMAR # D4-3365 MY
 TURN MOVEMENT COUNT

File Name : TH-36 at Lexington Ave N ramp 2010
 Site Code : 00000000
 Start Date : 2/24/2010
 Page No : 2

Start Time	Lexington Ave Southbound					ramp from TH-36 WB Westbound					Lexington Ave Northbound					ramp to TH-36 WB Eastbound					Int. Total
	Left	Thru	Right	Peds	App. Total	Left	Thru	Right	Peds	App. Total	Left	Thru	Right	Peds	App. Total	Left	Thru	Right	Peds	App. Total	
Peak Hour Analysis From 05:45 to 08:45 - Peak 1 of 1																					
Peak Hour for Entire Intersection Begins at 07:15																					
07:15	0	119	51	1	171	40	0	25	0	65	51	86	0	0	137	0	0	0	0	0	373
07:30	0	172	62	1	235	33	0	29	0	62	47	116	0	0	163	0	0	0	0	0	460
07:45	0	165	59	0	224	36	0	27	0	63	44	123	0	0	167	0	0	0	0	0	454
08:00	0	118	56	0	174	21	0	32	0	53	40	83	0	0	123	0	0	0	0	0	350
Total Volume	0	574	228	2	804	130	0	113	0	243	182	408	0	0	590	0	0	0	0	0	1637
% App. Total	0	71.4	28.4	0.2		53.5	0	46.5	0		30.8	69.2	0	0		0	0	0	0		
PHF	.000	.834	.919	.500	.855	.813	.000	.883	.000	.935	.892	.829	.000	.000	.883	.000	.000	.000	.000	.000	.890





MINNESOTA DEPT OF TRANSPORTATION

TRAFFIC DATA COLLECTION - METRO

TH-36 at Lexington Ave, N ramps
 Ref.Pt.: 002.253
 JAMAR # D4-3365 MY
 TURN MOVEMENT COUNT

File Name : TH-36 at Lexington Ave N ramp 2010
 Site Code : 00000000
 Start Date : 2/24/2010
 Page No : 3

Start Time	Lexington Ave Southbound					ramp from TH-36 WB Westbound					Lexington Ave Northbound					ramp to TH-36 WB Eastbound					Int. Total
	Left	Thru	Right	Peds	App. Total	Left	Thru	Right	Peds	App. Total	Left	Thru	Right	Peds	App. Total	Left	Thru	Right	Peds	App. Total	
16:45	0	123	30	0	153	51	0	52	0	103	30	175	0	0	205	0	0	0	0	0	461
17:00	0	134	30	2	166	43	0	67	0	110	29	170	0	0	199	0	0	0	0	0	475
17:15	0	148	27	0	175	43	0	62	0	105	24	168	0	0	192	0	0	0	0	0	472
17:30	0	134	22	0	156	34	0	62	0	96	34	152	0	0	186	0	0	0	0	0	438
Total Volume	0	539	109	2	650	171	0	243	0	414	117	665	0	0	782	0	0	0	0	0	1846
% App. Total	0	82.9	16.8	0.3		41.3	0	58.7	0		15	85	0	0		0	0	0	0		
PHF	.000	.910	.908	.250	.929	.838	.000	.907	.000	.941	.860	.950	.000	.000	.954	.000	.000	.000	.000	.000	.972

Peak Hour Analysis From 14:45 to 17:45 - Peak 1 of 1
 Peak Hour for Entire Intersection Begins at 16:45

