



MINNESOTA DEPT OF TRANSPORTATION

TRAFFIC DATA COLLECTION - METRO

TH-36 at Hadley Ave.

Ref.Pt.: 011.260

JAMAR # 632

MR / JI

TURN MOVEMENT COUNT - 12 hour

File Name : TH-36 at Hadley Ave 2013

Site Code : 00000000

Start Date : 1/8/2013

Page No : 1

Groups Printed- Cars & Trucks

Start Time	Hadley Ave Southbound				TH-36 Westbound				Hadley Ave Northbound				TH-36 Eastbound				Int. Total
	Left	Thru	Right	Peds	Left	Thru	Right	Peds	Left	Thru	Right	Peds	Left	Thru	Right	Peds	
06:15	15	11	6	0	9	249	9	0	30	11	27	0	5	58	3	0	433
06:30	15	5	12	0	10	300	10	0	44	17	32	0	1	83	16	0	545
06:45	12	7	17	0	16	359	16	0	45	11	36	0	4	128	19	0	670
Total	42	23	35	0	35	908	35	0	119	39	95	0	10	269	38	0	1648
07:00	9	9	11	0	23	374	11	0	34	13	31	0	3	104	15	0	637
07:15	12	7	10	1	8	370	17	0	48	20	53	0	5	141	12	0	704
07:30	14	13	13	0	21	339	17	0	45	15	50	1	5	173	17	0	723
07:45	14	13	14	0	16	319	26	0	50	19	40	0	7	212	14	0	744
Total	49	42	48	1	68	1402	71	0	177	67	174	1	20	630	58	0	2808
08:00	8	10	17	0	32	302	38	0	44	13	27	0	8	163	14	0	676
08:15	15	13	8	0	16	286	28	0	38	16	38	0	6	154	19	0	637
08:30	19	9	17	0	13	268	21	0	43	19	33	0	15	154	19	0	630
08:45	14	15	13	0	7	277	28	0	37	22	25	0	14	173	13	0	638
Total	56	47	55	0	68	1133	115	0	162	70	123	0	43	644	65	0	2581
09:00	16	9	17	0	10	236	26	0	45	16	29	0	9	131	16	0	560
09:15	22	12	13	0	18	223	36	0	26	11	22	0	13	111	15	0	522
09:30	11	13	16	0	19	176	25	0	19	15	14	0	11	129	18	0	466
09:45	16	9	21	0	8	168	34	0	23	20	24	0	19	128	9	0	479
Total	65	43	67	0	55	803	121	0	113	62	89	0	52	499	58	0	2027
10:00	24	13	13	0	9	141	20	0	19	18	13	0	20	91	9	0	390
10:15	16	10	21	0	12	128	23	0	19	20	14	0	39	100	17	0	419
10:30	33	10	19	0	13	149	27	0	21	23	15	0	28	125	10	0	473
10:45	33	13	22	0	7	151	29	0	19	13	23	0	30	157	10	0	507
Total	106	46	75	0	41	569	99	0	78	74	65	0	117	473	46	0	1789
11:00	28	13	21	2	10	125	41	0	27	19	13	0	20	132	17	0	468
11:15	33	11	35	0	19	145	41	0	25	15	15	0	24	158	14	0	535
11:30	38	12	25	0	7	152	37	0	26	19	21	0	26	135	20	0	518
11:45	27	15	24	0	17	136	27	0	20	18	17	0	39	125	12	0	477
Total	126	51	105	2	53	558	146	0	98	71	66	0	109	550	63	0	1998
12:00	32	22	24	0	11	165	39	0	22	23	22	0	34	110	19	0	523
12:15	29	17	20	0	12	129	49	0	15	12	18	0	26	138	18	0	483
12:30	30	13	24	0	14	144	36	0	18	13	14	0	38	175	25	0	544
12:45	35	22	33	1	16	144	49	1	19	20	9	0	40	160	9	0	558
Total	126	74	101	1	53	582	173	1	74	68	63	0	138	583	71	0	2108
13:00	39	29	27	0	18	146	44	0	18	14	12	0	29	141	17	0	534
13:15	36	16	28	0	16	147	52	1	22	20	12	0	25	126	19	0	520
13:30	33	25	17	0	6	149	42	0	21	14	16	0	32	167	18	0	540
13:45	32	20	33	0	15	147	52	0	11	17	16	0	32	172	12	0	559
Total	140	90	105	0	55	589	190	1	72	65	56	0	118	606	66	0	2153
14:00	44	13	29	0	17	132	41	0	13	11	18	0	30	185	18	0	551
14:15	52	27	34	0	15	150	43	0	25	25	27	0	40	180	9	0	627
14:30	47	22	31	0	11	157	41	0	29	13	23	0	22	245	21	0	662
14:45	45	23	38	0	22	178	49	1	22	20	33	0	36	218	25	0	710
Total	188	85	132	0	65	617	174	1	89	69	101	0	128	828	73	0	2550
15:00	48	18	29	0	23	164	42	0	25	17	22	0	20	204	36	0	648



MINNESOTA DEPT OF TRANSPORTATION

TRAFFIC DATA COLLECTION - METRO

TH-36 at Hadley Ave.
 Ref.Pt.: 011.260
 JAMAR # 632 MR / JI
 TURN MOVEMENT COUNT - 12 hour

File Name : TH-36 at Hadley Ave 2013
 Site Code : 00000000
 Start Date : 1/8/2013
 Page No : 2

Groups Printed- Cars & Trucks

Start Time	Hadley Ave Southbound				TH-36 Westbound				Hadley Ave Northbound				TH-36 Eastbound				Int. Total
	Left	Thru	Right	Peds	Left	Thru	Right	Peds	Left	Thru	Right	Peds	Left	Thru	Right	Peds	
15:15	53	24	27	0	12	149	53	0	33	32	36	0	57	289	33	0	798
15:30	51	20	30	0	15	225	52	0	24	23	30	0	34	304	32	0	840
15:45	49	41	21	0	39	207	36	0	40	23	27	0	20	316	35	0	854
Total	201	103	107	0	89	745	183	0	122	95	115	0	131	1113	136	0	3140
16:00	45	35	19	1	15	193	46	0	25	27	42	0	41	293	35	0	817
16:15	45	33	28	0	17	218	57	0	30	16	32	0	34	347	31	0	888
16:30	45	43	26	0	22	238	54	0	26	23	26	0	30	343	37	0	913
16:45	55	26	33	0	36	215	45	0	36	16	27	0	26	344	46	0	905
Total	190	137	106	1	90	864	202	0	117	82	127	0	131	1327	149	0	3523
17:00	43	34	23	0	15	192	41	0	37	27	43	0	25	329	60	0	869
17:15	39	30	17	1	18	252	46	0	26	21	20	0	32	353	36	0	891
17:30	43	24	34	1	29	281	34	0	25	31	19	0	21	345	33	0	920
17:45	41	32	23	0	23	192	49	1	24	17	19	0	21	316	45	0	803
Total	166	120	97	2	85	917	170	1	112	96	101	0	99	1343	174	0	3483
18:00	34	36	25	0	19	153	44	0	20	18	22	0	30	306	37	0	744
Grand Total	1489	897	1058	7	776	9840	1723	4	1353	876	1197	1	1126	9171	1034	0	30552
Apprch %	43.1	26	30.7	0.2	6.3	79.7	14	0	39.5	25.6	34.9	0	9.9	80.9	9.1	0	
Total %	4.9	2.9	3.5	0	2.5	32.2	5.6	0	4.4	2.9	3.9	0	3.7	30	3.4	0	



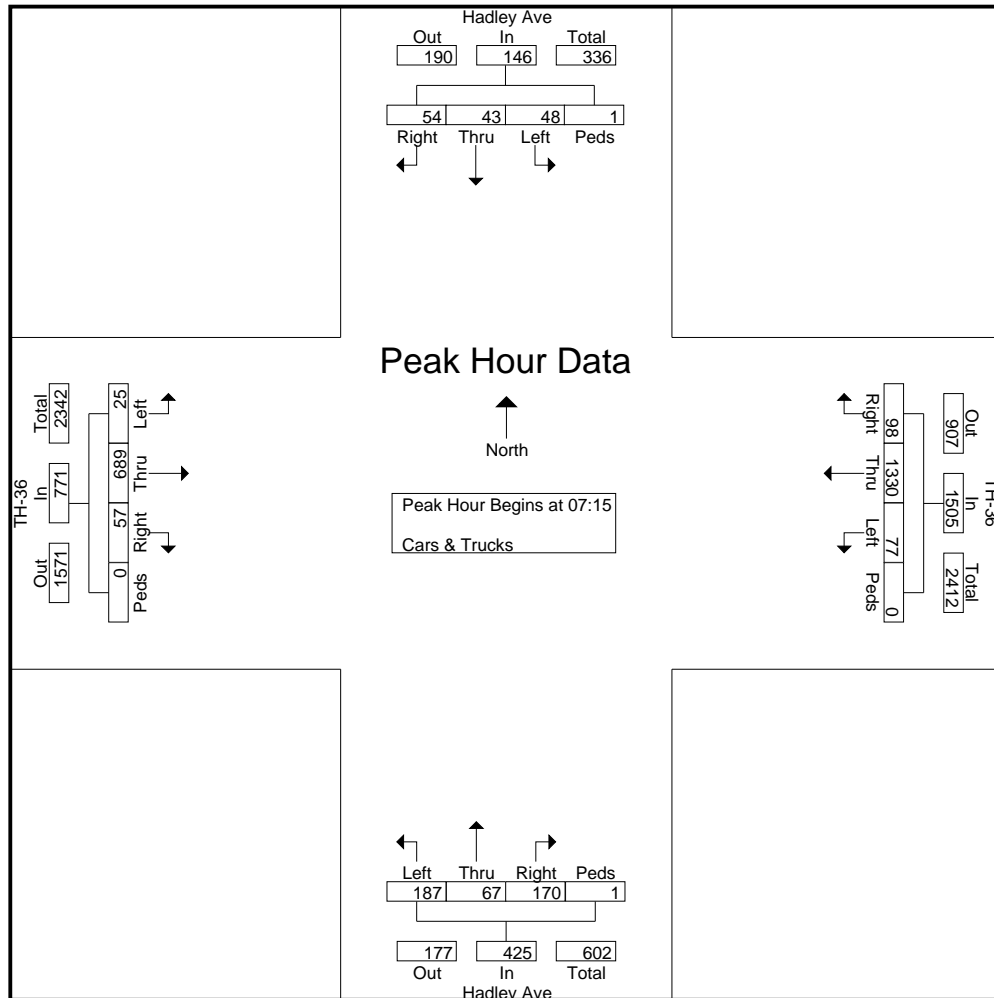
MINNESOTA DEPT OF TRANSPORTATION

TRAFFIC DATA COLLECTION - METRO

TH-36 at Hadley Ave.
 Ref.Pt.: 011.260
 JAMAR # 632 MR / JI
 TURN MOVEMENT COUNT - 12 hour

File Name : TH-36 at Hadley Ave 2013
 Site Code : 00000000
 Start Date : 1/8/2013
 Page No : 3

Start Time	Hadley Ave Southbound					TH-36 Westbound					Hadley Ave Northbound					TH-36 Eastbound					Int. Total
	Left	Thru	Right	Peds	App. Total	Left	Thru	Right	Peds	App. Total	Left	Thru	Right	Peds	App. Total	Left	Thru	Right	Peds	App. Total	
Peak Hour Analysis From 06:15 to 09:00 - Peak 1 of 1																					
Peak Hour for Entire Intersection Begins at 07:15																					
07:15	12	7	10	1	30	8	370	17	0	395	48	20	53	0	121	5	141	12	0	158	704
07:30	14	13	13	0	40	21	339	17	0	377	45	15	50	1	111	5	173	17	0	195	723
07:45	14	13	14	0	41	16	319	26	0	361	50	19	40	0	109	7	212	14	0	233	744
08:00	8	10	17	0	35	32	302	38	0	372	44	13	27	0	84	8	163	14	0	185	676
Total Volume	48	43	54	1	146	77	1330	98	0	1505	187	67	170	1	425	25	689	57	0	771	2847
% App. Total	32.9	29.5	37	0.7		5.1	88.4	6.5	0		4.4	15.8	4.0	0.2		3.2	89.4	7.4	0		
PHF	.857	.827	.794	.250	.890	.602	.899	.645	.000	.953	.935	.838	.802	.250	.878	.781	.813	.838	.000	.827	.957





MINNESOTA DEPT OF TRANSPORTATION

TRAFFIC DATA COLLECTION - METRO

TH-36 at Hadley Ave.
 Ref.Pt.: 011.260
 JAMAR # 632 MR / JI
 TURN MOVEMENT COUNT - 12 hour

File Name : TH-36 at Hadley Ave 2013
 Site Code : 00000000
 Start Date : 1/8/2013
 Page No : 4

Start Time	Hadley Ave Southbound					TH-36 Westbound					Hadley Ave Northbound					TH-36 Eastbound					Int. Total
	Left	Thru	Right	Peds	App. Total	Left	Thru	Right	Peds	App. Total	Left	Thru	Right	Peds	App. Total	Left	Thru	Right	Peds	App. Total	
16:45	55	26	33	0	114	36	215	45	0	296	36	16	27	0	79	26	344	46	0	416	905
17:00	43	34	23	0	100	15	192	41	0	248	37	27	43	0	107	25	329	60	0	414	869
17:15	39	30	17	1	87	18	252	46	0	316	26	21	20	0	67	32	353	36	0	421	891
17:30	43	24	34	1	102	29	281	34	0	344	25	31	19	0	75	21	345	33	0	399	920
Total Volume	180	114	107	2	403	98	940	166	0	1204	124	95	109	0	328	104	1371	175	0	1650	3585
% App. Total	44.7	28.3	26.6	0.5		8.1	78.1	13.8	0		37.8	29	33.2	0		6.3	83.1	10.6	0		
PHF	.818	.838	.787	.500	.884	.681	.836	.902	.000	.875	.838	.766	.634	.000	.766	.813	.971	.729	.000	.980	.974

Peak Hour Analysis From 15:00 to 18:00 - Peak 1 of 1
 Peak Hour for Entire Intersection Begins at 16:45

