

SEH CONSULTING
Traffic Data Collection
TURN MOVEMENT COUNT

TH-36 at Washington Ave / Norrell Ave
Ref.Pt.: 201.906
data by SEH
TURN MOVEMENT COUNT

File Name : TH-36 at Washington Ave-Norrell Ave 2008
Site Code : 00000008
Start Date : 12/17/2008
Page No : 1

Groups Printed- Unshifted - Heavy Veh

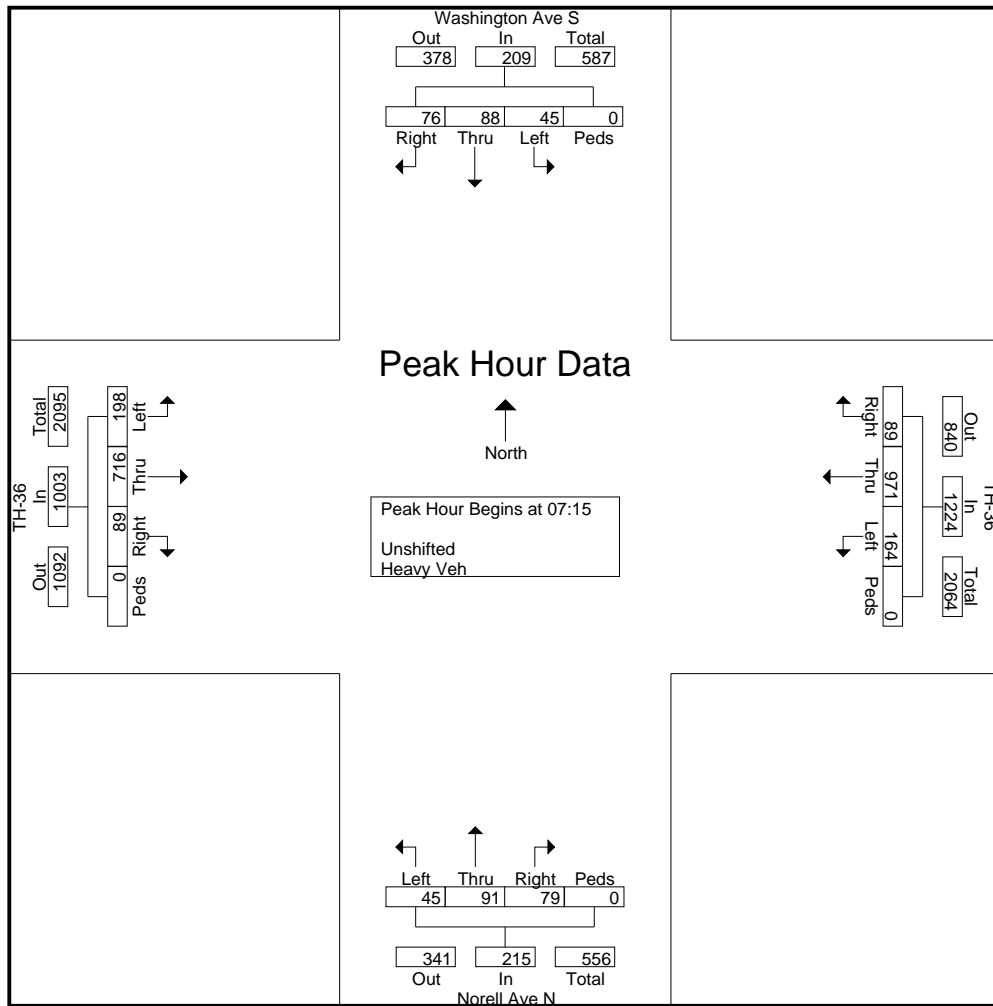
Start Time	Washington Ave S Southbound				TH-36 Westbound				Norell Ave N Northbound				TH-36 Eastbound				Int. Total
	Left	Thru	Right	Peds	Left	Thru	Right	Peds	Left	Thru	Right	Peds	Left	Thru	Right	Peds	
06:00	4	4	9	1	4	161	9	0	3	2	2	0	7	80	7	0	293
06:15	11	7	10	0	7	212	12	0	6	5	2	0	16	105	11	0	404
06:30	7	7	17	0	11	229	12	1	3	6	5	0	19	174	19	0	510
06:45	7	7	16	0	14	240	16	0	6	9	3	0	36	163	20	0	537
Total	29	25	52	1	36	842	49	1	18	22	12	0	78	522	57	0	1744
07:00	10	14	12	0	30	247	12	0	5	7	8	0	33	130	15	0	523
07:15	10	27	13	0	58	249	16	0	13	17	18	0	46	160	24	0	651
07:30	8	29	19	0	48	252	19	0	12	28	28	0	47	183	21	0	694
07:45	13	21	19	0	28	224	27	0	11	31	21	0	50	201	21	0	667
Total	41	91	63	0	164	972	74	0	41	83	75	0	176	674	81	0	2535
08:00	14	11	25	0	30	246	27	0	9	15	12	0	55	172	23	0	639
08:15	20	17	20	0	22	180	25	0	15	15	10	0	45	176	15	0	560
08:30	10	12	16	1	16	206	29	0	12	19	10	0	39	185	17	1	573
08:45	11	22	29	0	38	155	50	0	8	23	9	0	51	177	31	0	604
Total	55	62	90	1	106	787	131	0	44	72	41	0	190	710	86	1	2376
*** BREAK ***																	
11:00	37	74	38	0	48	161	54	0	30	58	28	0	51	127	50	0	756
11:15	36	84	38	0	34	130	42	0	35	53	40	0	50	114	35	0	691
11:30	26	56	40	0	65	148	47	0	35	58	34	0	46	156	24	0	735
11:45	33	78	35	0	55	125	47	0	32	79	47	0	51	112	41	0	735
Total	132	292	151	0	202	564	190	0	132	248	149	0	198	509	150	0	2917
12:00	46	80	35	0	48	128	44	0	37	72	30	0	48	148	35	0	751
12:15	36	89	58	1	48	155	44	2	48	79	47	0	40	127	32	0	806
12:30	35	94	38	0	45	142	42	0	36	57	49	0	44	176	37	0	795
12:45	52	83	33	0	51	132	46	0	38	81	37	0	53	153	36	0	795
Total	169	346	164	1	192	557	176	2	159	289	163	0	185	604	140	0	3147
*** BREAK ***																	
15:00	41	60	41	0	41	198	36	0	52	69	53	0	66	201	57	0	915
15:15	49	62	41	0	65	237	39	0	56	80	52	0	62	200	110	5	1058
15:30	49	78	41	0	49	205	35	0	41	75	51	0	58	206	59	0	947
15:45	38	60	50	0	64	209	24	0	49	77	55	0	66	252	53	3	1000
Total	177	260	173	0	219	849	134	0	198	301	211	0	252	859	279	8	3920
16:00	56	89	58	0	51	208	32	2	48	67	56	0	47	241	61	0	1016
16:15	42	68	55	0	49	190	35	5	62	83	44	0	71	212	50	0	966
16:30	49	80	74	0	54	231	20	0	54	83	62	0	66	301	77	1	1152
16:45	58	69	61	0	49	176	32	1	52	78	59	0	58	242	74	0	1009
Total	205	306	248	0	203	805	119	8	216	311	221	0	242	996	262	1	4143
17:00	37	63	69	0	52	200	28	0	44	80	48	0	77	223	46	0	967
17:15	40	83	52	0	50	189	23	0	52	68	41	0	48	235	66	1	948
17:30	39	64	63	7	45	170	29	0	66	72	75	0	47	189	59	2	927
17:45	58	78	49	0	41	117	18	0	50	71	48	0	51	266	53	0	900
Total	174	288	233	7	188	676	98	0	212	291	212	0	223	913	224	3	3742
Grand Total	982	1670	1174	10	1310	6052	971	11	1020	1617	1084	0	1544	5787	1279	13	24524
Apprch %	25.6	43.5	30.6	0.3	15.7	72.5	11.6	0.1	27.4	43.5	29.1	0	17.9	67.1	14.8	0.2	
Total %	4	6.8	4.8	0	5.3	24.7	4	0	4.2	6.6	4.4	0	6.3	23.6	5.2	0.1	
Unshifted	976	1668	1163	9	1309	5996	968	11	1010	1614	1084	0	1533	5735	1269	13	24358
% Unshifted	99.4	99.9	99.1	90	99.9	99.1	99.7	100	99	99.8	100	0	99.3	99.1	99.2	100	99.3
Heavy Veh	6	2	11	1	1	56	3	0	10	3	0	0	11	52	10	0	166
% Heavy Veh	0.6	0.1	0.9	10	0.1	0.9	0.3	0	1	0.2	0	0	0.7	0.9	0.8	0	0.7

SEH CONSULTING
Traffic Data Collection
TURN MOVEMENT COUNT

TH-36 at Washington Ave / Norrell Ave
Ref.Pt.: 201.906
data by SEH
TURN MOVEMENT COUNT

File Name : TH-36 at Washington Ave-Norrell Ave 2008
Site Code : 00000008
Start Date : 12/17/2008
Page No : 2

Start Time	Washington Ave S Southbound					TH-36 Westbound					Norell Ave N Northbound					TH-36 Eastbound					Int. Total
	Left	Thru	Right	Peds	App. Total	Left	Thru	Right	Peds	App. Total	Left	Thru	Right	Peds	App. Total	Left	Thru	Right	Peds	App. Total	
Peak Hour Analysis From 06:00 to 08:45 - Peak 1 of 1																					
Peak Hour for Entire Intersection Begins at 07:15																					
07:15	10	27	13	0	50	58	249	16	0	323	13	17	18	0	48	46	160	24	0	230	651
07:30	8	29	19	0	56	48	252	19	0	319	12	28	28	0	68	47	183	21	0	251	694
07:45	13	21	19	0	53	28	224	27	0	279	11	31	21	0	63	50	201	21	0	272	667
08:00	14	11	25	0	50	30	246	27	0	303	9	15	12	0	36	55	172	23	0	250	639
Total Volume	45	88	76	0	209	164	971	89	0	1224	45	91	79	0	215	198	716	89	0	1003	2651
% App. Total	21.5	42.1	36.4	0		13.4	79.3	7.3	0		20.9	42.3	36.7	0		19.7	71.4	8.9	0		
PHF	.804	.759	.760	.000	.933	.707	.963	.824	.000	.947	.865	.734	.705	.000	.790	.900	.891	.927	.000	.922	.955



SEH CONSULTING
Traffic Data Collection
TURN MOVEMENT COUNT

TH-36 at Washington Ave / Norrell Ave
Ref.Pt.: 201.906
data by SEH
TURN MOVEMENT COUNT

File Name : TH-36 at Washington Ave-Norrell Ave 2008
Site Code : 00000008
Start Date : 12/17/2008
Page No : 3

Start Time	Washington Ave S Southbound					TH-36 Westbound					Norell Ave N Northbound					TH-36 Eastbound					Int. Total
	Left	Thru	Right	Peds	App. Total	Left	Thru	Right	Peds	App. Total	Left	Thru	Right	Peds	App. Total	Left	Thru	Right	Peds	App. Total	
Peak Hour Analysis From 15:00 to 17:45 - Peak 1 of 1																					
Peak Hour for Entire Intersection Begins at 16:00																					
16:00	56	89	58	0	203	51	208	32	2	293	48	67	56	0	171	47	241	61	0	349	1016
16:15	42	68	55	0	165	49	190	35	5	279	62	83	44	0	189	71	212	50	0	333	966
16:30	49	80	74	0	203	54	231	20	0	305	54	83	62	0	199	66	301	77	1	445	1152
16:45	58	69	61	0	188	49	176	32	1	258	52	78	59	0	189	58	242	74	0	374	1009
Total Volume	205	306	248	0	759	203	805	119	8	1135	216	311	221	0	748	242	996	262	1	1501	4143
% App. Total	27	40.3	32.7	0		17.9	70.9	10.5	0.7		28.9	41.6	29.5	0		16.1	66.4	17.5	0.1		
PHF	.884	.860	.838	.000	.935	.940	.871	.850	.400	.930	.871	.937	.891	.000	.940	.852	.827	.851	.250	.843	.899

