

403_Th 41 & CR 61
Ref. Pt.: 2.027
data by: Alliant Inc.
TURN MOVEMENT COUNT

File Name : 403_TH 41 & CR 61
Site Code : 00000403
Start Date : 10/10/2018
Page No : 1

Groups Printed- Class 1 - Class 2

Start Time	TH 41 Southbound					CR 61 Westbound					TH 41 Northbound					CR 61 Eastbound					Int. Total
	Peds	Right	Thru	Left	App. Total	Peds	Right	Thru	Left	App. Total	Peds	Right	Thru	Left	App. Total	Peds	Right	Thru	Left	App. Total	
06:00 AM	0	8	45	2	55	0	3	5	10	18	0	8	33	20	61	0	33	19	24	76	210
06:15 AM	0	10	38	8	56	0	4	13	16	33	0	9	72	22	103	0	40	28	16	84	276
06:30 AM	0	6	53	7	66	0	5	6	15	26	0	15	86	33	134	0	47	42	22	111	337
06:45 AM	0	11	50	6	67	0	6	8	17	31	0	15	101	32	148	0	34	57	42	133	379
Total	0	35	186	23	244	0	18	32	58	108	0	47	292	107	446	0	154	146	104	404	1202
07:00 AM	0	8	62	10	80	0	4	21	17	42	0	15	102	40	157	0	29	59	35	123	402
07:15 AM	0	9	86	11	106	0	6	15	24	45	0	21	128	49	198	0	31	82	46	159	508
07:30 AM	0	8	107	15	130	0	7	16	12	35	0	26	194	38	258	0	24	76	55	155	578
07:45 AM	0	18	135	30	183	0	8	24	16	48	0	18	121	60	199	0	21	81	72	174	604
Total	0	43	390	66	499	0	25	76	69	170	0	80	545	187	812	0	105	298	208	611	2092
08:00 AM	0	20	87	22	129	0	2	22	22	46	0	16	128	46	190	0	29	59	51	139	504
08:15 AM	0	20	83	20	123	0	10	22	24	56	0	14	100	47	161	0	41	51	40	132	472
08:30 AM	0	32	77	12	121	0	9	33	19	61	0	16	113	36	165	0	35	38	33	106	453
08:45 AM	0	12	62	17	91	0	9	27	17	53	0	10	78	43	131	0	27	38	37	102	377
Total	0	84	309	71	464	0	30	104	82	216	0	56	419	172	647	0	132	186	161	479	1806
09:00 AM	0	16	80	8	104	0	8	12	17	37	0	13	94	31	138	0	29	28	38	95	374
09:15 AM	0	39	71	15	125	0	9	24	15	48	0	13	89	34	136	0	23	23	34	80	389
*** BREAK ***																					
Total	0	55	151	23	229	0	17	36	32	85	0	26	183	65	274	0	52	51	72	175	763
*** BREAK ***																					
10:30 AM	1	15	68	9	93	3	9	32	23	67	0	13	70	31	114	0	25	28	37	90	364
10:45 AM	0	11	79	8	98	0	10	29	19	58	0	10	86	23	119	0	29	27	28	84	359
Total	1	26	147	17	191	3	19	61	42	125	0	23	156	54	233	0	54	55	65	174	723
11:00 AM	0	17	79	11	107	2	8	28	14	52	0	15	71	34	120	0	23	26	36	85	364
11:15 AM	0	10	94	9	113	0	9	30	21	60	1	9	72	31	113	0	28	33	48	109	395
11:30 AM	0	32	83	6	121	0	6	32	12	50	0	20	73	41	134	0	27	28	43	98	403
11:45 AM	0	22	62	21	105	0	14	30	16	60	0	23	65	37	125	0	25	48	39	112	402
Total	0	81	318	47	446	2	37	120	63	222	1	67	281	143	492	0	103	135	166	404	1564
12:00 PM	2	25	84	22	133	1	9	38	17	65	0	11	67	38	116	0	32	35	29	96	410
12:15 PM	0	24	100	16	140	0	9	29	21	59	0	18	70	45	133	0	22	33	23	78	410
12:30 PM	1	23	65	15	104	0	12	39	26	77	0	24	75	30	129	1	27	35	30	93	403
12:45 PM	0	27	69	7	103	0	22	31	30	83	0	12	72	35	119	0	32	39	41	112	417
Total	3	99	318	60	480	1	52	137	94	284	0	65	284	148	497	1	113	142	123	379	1640
01:00 PM	2	25	89	12	128	0	17	28	20	65	1	13	70	39	123	2	32	25	39	98	414
01:15 PM	1	32	104	16	153	0	7	30	33	70	0	11	73	33	117	0	23	25	33	81	421
*** BREAK ***																					
Total	3	57	193	28	281	0	24	58	53	135	1	24	143	72	240	2	55	50	72	179	835
*** BREAK ***																					
02:30 PM	0	29	82	14	125	2	5	35	18	60	1	17	89	64	171	0	24	36	60	120	476
02:45 PM	0	42	79	15	136	0	4	35	27	66	0	21	92	58	171	0	19	40	43	102	475
Total	0	71	161	29	261	2	9	70	45	126	1	38	181	122	342	0	43	76	103	222	951
03:00 PM	0	21	86	13	120	0	8	65	27	100	0	13	68	60	141	1	21	27	33	82	443
03:15 PM	6	23	78	14	121	0	15	50	36	101	0	9	89	51	149	0	28	30	48	106	477
03:30 PM	3	29	137	8	177	0	7	64	27	98	1	12	106	60	179	0	30	30	35	95	549
03:45 PM	0	35	129	17	181	1	6	71	31	109	2	16	110	58	186	0	26	44	30	100	576
Total	9	108	430	52	599	1	36	250	121	408	3	50	373	229	655	1	105	131	146	383	2045

403_Th 41 & CR 61
Ref. Pt.: 2.027
data by: Alliant Inc.
TURN MOVEMENT COUNT

File Name : 403_TH 41 & CR 61
Site Code : 00000403
Start Date : 10/10/2018
Page No : 2

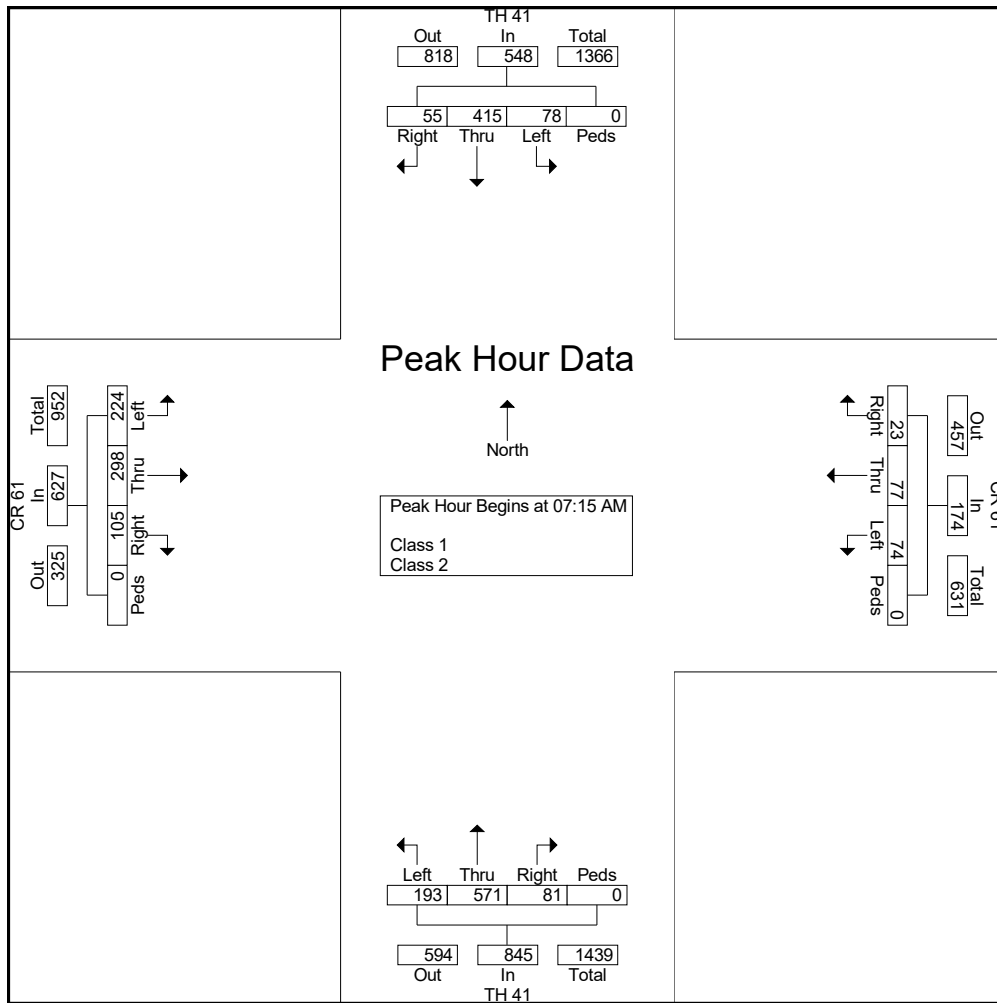
Groups Printed- Class 1 - Class 2

Start Time	TH 41 Southbound					CR 61 Westbound					TH 41 Northbound					CR 61 Eastbound					Int. Total
	Peds	Right	Thru	Left	App. Total	Peds	Right	Thru	Left	App. Total	Peds	Right	Thru	Left	App. Total	Peds	Right	Thru	Left	App. Total	
04:00 PM	0	53	116	19	188	0	8	53	40	101	1	21	113	58	193	0	27	27	34	88	570
04:15 PM	0	38	107	20	165	2	7	62	40	111	0	14	119	59	192	0	19	30	30	79	547
04:30 PM	0	41	129	19	189	0	6	87	36	129	0	13	130	74	217	0	32	42	41	115	650
04:45 PM	3	51	114	11	179	0	4	79	25	108	0	18	124	66	208	2	26	36	51	115	610
Total	3	183	466	69	721	2	25	281	141	449	1	66	486	257	810	2	104	135	156	397	2377
05:00 PM	0	47	110	17	174	1	15	67	34	117	0	12	90	63	165	0	22	45	52	119	575
05:15 PM	0	47	157	11	215	0	5	78	33	116	0	16	113	73	202	0	26	43	49	118	651
05:30 PM	0	37	99	12	148	2	7	62	27	98	0	15	109	61	185	0	22	45	49	116	547
05:45 PM	2	47	99	14	162	0	8	55	32	95	0	13	83	71	167	0	17	51	39	107	531
Total	2	178	465	54	699	3	35	262	126	426	0	56	395	268	719	0	87	184	189	460	2304
Grand Total	21	1020	3534	539	5114	14	327	1487	926	2754	7	598	3738	1824	6167	6	1107	1589	1565	4267	18302
Apprch %	0.4	19.9	69.1	10.5		0.5	11.9	54	33.6		0.1	9.7	60.6	29.6		0.1	25.9	37.2	36.7		
Total %	0.1	5.6	19.3	2.9	27.9	0.1	1.8	8.1	5.1	15	0	3.3	20.4	10	33.7	0	6	8.7	8.6	23.3	
Class 1	20	915	3303	510	4748	14	296	1397	881	2588	7	582	3407	1622	5618	6	953	1494	1470	3923	16877
% Class 1	95.2	89.7	93.5	94.6	92.8	100	90.5	93.9	95.1	94	100	97.3	91.1	88.9	91.1	100	86.1	94	93.9	91.9	92.2
Class 2	1	105	231	29	366	0	31	90	45	166	0	16	331	202	549	0	154	95	95	344	1425
% Class 2	4.8	10.3	6.5	5.4	7.2	0	9.5	6.1	4.9	6	0	2.7	8.9	11.1	8.9	0	13.9	6	6.1	8.1	7.8

403_Th 41 & CR 61
Ref. Pt.: 2.027
data by: Alliant Inc.
TURN MOVEMENT COUNT

File Name : 403_TH 41 & CR 61
Site Code : 00000403
Start Date : 10/10/2018
Page No : 3

Start Time	TH 41 Southbound					CR 61 Westbound					TH 41 Northbound					CR 61 Eastbound					Int. Total
	Peds	Right	Thru	Left	App. Total	Peds	Right	Thru	Left	App. Total	Peds	Right	Thru	Left	App. Total	Peds	Right	Thru	Left	App. Total	
Peak Hour Analysis From 06:00 AM to 11:45 AM - Peak 1 of 1																					
Peak Hour for Entire Intersection Begins at 07:15 AM																					
07:15 AM	0	9	86	11	106	0	6	15	24	45	0	21	128	49	198	0	31	82	46	159	508
07:30 AM	0	8	107	15	130	0	7	16	12	35	0	26	194	38	258	0	24	76	55	155	578
07:45 AM	0	18	135	30	183	0	8	24	16	48	0	18	121	60	199	0	21	81	72	174	604
08:00 AM	0	20	87	22	129	0	2	22	22	46	0	16	128	46	190	0	29	59	51	139	504
Total Volume	0	55	415	78	548	0	23	77	74	174	0	81	571	193	845	0	105	298	224	627	2194
% App. Total	0	10	75.7	14.2		0	13.2	44.3	42.5		0	9.6	67.6	22.8		0	16.7	47.5	35.7		
PHF	.000	.688	.769	.650	.749	.000	.719	.802	.771	.906	.000	.779	.736	.804	.819	.000	.847	.909	.778	.901	.908



403_Th 41 & CR 61
Ref. Pt.: 2.027
data by: Alliant Inc.
TURN MOVEMENT COUNT

File Name : 403_TH 41 & CR 61
Site Code : 00000403
Start Date : 10/10/2018
Page No : 4

Start Time	TH 41 Southbound					CR 61 Westbound					TH 41 Northbound					CR 61 Eastbound					Int. Total
	Peds	Right	Thru	Left	App. Total	Peds	Right	Thru	Left	App. Total	Peds	Right	Thru	Left	App. Total	Peds	Right	Thru	Left	App. Total	
Peak Hour Analysis From 12:00 PM to 05:45 PM - Peak 1 of 1																					
Peak Hour for Entire Intersection Begins at 04:30 PM																					
04:30 PM	0	41	129	19	189	0	6	87	36	129	0	13	130	74	217	0	32	42	41	115	650
04:45 PM	3	51	114	11	179	0	4	79	25	108	0	18	124	66	208	2	26	36	51	115	610
05:00 PM	0	47	110	17	174	1	15	67	34	117	0	12	90	63	165	0	22	45	52	119	575
05:15 PM	0	47	157	11	215	0	5	78	33	116	0	16	113	73	202	0	26	43	49	118	651
Total Volume	3	186	510	58	757	1	30	311	128	470	0	59	457	276	792	2	106	166	193	467	2486
% App. Total	0.4	24.6	67.4	7.7		0.2	6.4	66.2	27.2		0	7.4	57.7	34.8		0.4	22.7	35.5	41.3		
PHF	.250	.912	.812	.763	.880	.250	.500	.894	.889	.911	.000	.819	.879	.932	.912	.250	.828	.922	.928	.981	.955

