



MINNESOTA DEPT OF TRANSPORTATION

TRAFFIC DATA COLLECTION - METRO

TH-41 at Victoria Dr / Crosstown Blvd.
 Ref.Pt.: 002.709
 Data by: Westwood Professional Services
 TURN MOVEMENT COUNT

File Name : TH-41 at Victoria Dr Crosstown Blvd 2008
 Site Code : 27053121
 Start Date : 10/21/2008
 Page No : 1

Groups Printed- Unshifted - Bank 1

Start Time	TH-41 Southbound				Crosstown Blvd. Westbound				TH-41 Northbound				Victoria Dr. Eastbound				Int. Total
	Left	Thru	Right	Peds	Left	Thru	Right	Peds	Left	Thru	Right	Peds	Left	Thru	Right	Peds	
06:00	2	51	0	0	3	17	13	0	1	54	2	0	5	7	3	0	158
06:15	2	51	0	0	3	17	13	0	1	54	2	0	5	7	3	0	158
06:30	3	86	1	0	3	3	17	0	1	94	0	0	5	4	13	0	230
06:45	4	87	4	0	0	6	18	4	7	138	2	0	15	2	28	0	315
Total	11	275	5	0	9	43	61	4	10	340	6	0	30	20	47	0	861
07:00	10	83	3	0	3	4	12	0	1	164	4	0	12	0	34	0	330
07:15	9	105	2	0	7	2	15	0	2	163	3	0	17	5	39	0	369
07:30	2	106	3	0	2	7	14	0	6	152	1	0	14	5	51	0	363
07:45	3	139	2	0	1	1	18	0	2	152	1	0	14	8	61	0	402
Total	24	433	10	0	13	14	59	0	11	631	9	0	57	18	185	0	1464
08:00	7	136	7	0	1	5	8	0	7	121	1	0	4	7	51	0	355
08:15	4	104	2	0	8	6	11	0	3	160	2	0	6	5	43	0	354
08:30	2	88	4	0	3	2	8	0	3	99	1	0	6	1	34	0	251
08:45	7	118	3	0	2	2	8	0	6	129	3	0	5	3	19	0	305
Total	20	446	16	0	14	15	35	0	19	509	7	0	21	16	147	0	1265
09:00	3	128	3	0	2	1	7	0	7	133	1	0	5	4	17	0	311
*** BREAK ***																	
Total	3	128	3	0	2	1	7	0	7	133	1	0	5	4	17	0	311
*** BREAK ***																	
11:00	5	128	2	0	1	3	2	0	12	112	0	0	6	4	13	0	288
11:15	6	146	4	0	1	3	2	0	12	112	0	0	1	2	6	0	295
11:30	7	126	3	0	0	0	12	0	13	131	2	0	5	1	16	0	316
11:45	10	144	8	0	1	3	6	0	9	138	7	0	3	2	7	0	338
Total	28	544	17	0	3	9	22	0	46	493	9	0	15	9	42	0	1237
12:00	10	141	2	0	6	5	6	0	14	141	2	0	4	4	9	0	344
12:15	12	138	5	0	4	2	15	0	14	139	1	0	3	5	13	0	351
12:30	10	152	3	0	2	3	17	0	14	122	3	0	4	4	16	0	350
12:45	6	146	9	0	3	4	15	0	19	139	5	0	5	4	15	0	370
Total	38	577	19	0	15	14	53	0	61	541	11	0	16	17	53	0	1415
13:00	0	0	0	0	4	6	12	0	11	110	4	0	0	0	0	0	147
*** BREAK ***																	
Total	0	0	0	0	4	6	12	0	11	110	4	0	0	0	0	0	147
*** BREAK ***																	
15:00	9	153	2	0	4	4	14	0	19	126	2	0	3	7	20	0	363
15:15	8	176	3	0	1	6	9	0	23	186	2	0	3	7	18	0	442
15:30	12	198	6	0	5	7	11	0	16	169	4	0	8	4	20	0	460
15:45	12	199	5	0	5	3	6	0	17	174	14	0	6	5	25	0	471
Total	41	726	16	0	15	20	40	0	75	655	22	0	20	23	83	0	1736
16:00	14	193	5	0	6	4	13	0	28	175	5	0	2	6	20	0	471
16:15	8	200	8	0	6	6	13	0	26	150	4	0	4	12	20	0	457
16:30	30	185	7	0	2	8	9	0	30	182	8	0	4	15	24	0	504
16:45	10	233	8	0	7	5	14	0	36	195	13	0	3	6	33	0	563
Total	62	811	28	0	21	23	49	0	120	702	30	0	13	39	97	0	1995



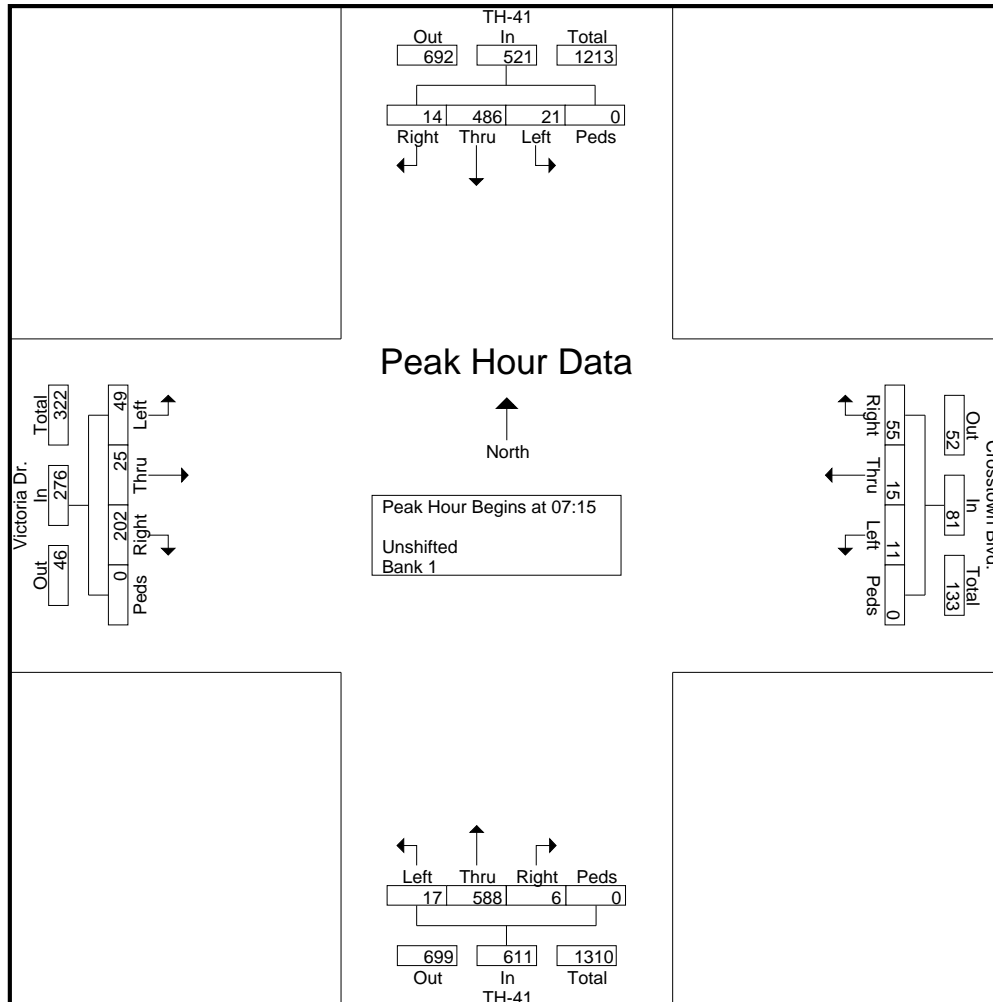
MINNESOTA DEPT OF TRANSPORTATION

TRAFFIC DATA COLLECTION - METRO

TH-41 at Victoria Dr / Crosstown Blvd.
 Ref.Pt.: 002.709
 Data by: Westwood Professional Services
 TURN MOVEMENT COUNT

File Name : TH-41 at Victoria Dr Crosstown Blvd 2008
 Site Code : 27053121
 Start Date : 10/21/2008
 Page No : 3

Start Time	TH-41 Southbound					Crosstown Blvd. Westbound					TH-41 Northbound					Victoria Dr. Eastbound					Int. Total
	Left	Thru	Right	Peds	App. Total	Left	Thru	Right	Peds	App. Total	Left	Thru	Right	Peds	App. Total	Left	Thru	Right	Peds	App. Total	
Peak Hour Analysis From 06:00 to 08:45 - Peak 1 of 1																					
Peak Hour for Entire Intersection Begins at 07:15																					
07:15	9	105	2	0	116	7	2	15	0	24	2	163	3	0	168	17	5	39	0	61	369
07:30	2	106	3	0	111	2	7	14	0	23	6	152	1	0	159	14	5	51	0	70	363
07:45	3	139	2	0	144	1	1	18	0	20	2	152	1	0	155	14	8	61	0	83	402
08:00	7	136	7	0	150	1	5	8	0	14	7	121	1	0	129	4	7	51	0	62	355
Total Volume	21	486	14	0	521	11	15	55	0	81	17	588	6	0	611	49	25	202	0	276	1489
% App. Total	4	93.3	2.7	0		13.6	18.5	67.9	0		2.8	96.2	1	0		17.8	9.1	73.2	0		
PHF	.583	.874	.500	.000	.868	.393	.536	.764	.000	.844	.607	.902	.500	.000	.909	.721	.781	.828	.000	.831	.926





MINNESOTA DEPT OF TRANSPORTATION

TRAFFIC DATA COLLECTION - METRO

TH-41 at Victoria Dr / Crosstown Blvd.
 Ref.Pt.: 002.709
 Data by: Westwood Professional Services
 TURN MOVEMENT COUNT

File Name : TH-41 at Victoria Dr Crosstown Blvd 2008
 Site Code : 27053121
 Start Date : 10/21/2008
 Page No : 4

Start Time	TH-41 Southbound					Crosstown Blvd. Westbound					TH-41 Northbound					Victoria Dr. Eastbound					Int. Total
	Left	Thru	Right	Peds	App. Total	Left	Thru	Right	Peds	App. Total	Left	Thru	Right	Peds	App. Total	Left	Thru	Right	Peds	App. Total	
Peak Hour Analysis From 15:00 to 17:45 - Peak 1 of 1																					
Peak Hour for Entire Intersection Begins at 16:30																					
16:30	30	185	7	0	222	2	8	9	0	19	30	182	8	0	220	4	15	24	0	43	504
16:45	10	233	8	0	251	7	5	14	0	26	36	195	13	0	244	3	6	33	0	42	563
17:00	11	187	3	0	201	5	12	20	0	37	35	155	6	0	196	4	3	25	0	32	466
17:15	17	203	7	0	227	7	10	6	0	23	40	213	2	0	255	6	7	32	0	45	550
Total Volume	68	808	25	0	901	21	35	49	0	105	141	745	29	0	915	17	31	114	0	162	2083
% App. Total	7.5	89.7	2.8	0		20	33.3	46.7	0		15.4	81.4	3.2	0		10.5	19.1	70.4	0		
PHF	.567	.867	.781	.000	.897	.750	.729	.613	.000	.709	.881	.874	.558	.000	.897	.708	.517	.864	.000	.900	.925

