



MINNESOTA DEPT OF TRANSPORTATION

TRAFFIC DATA COLLECTION - METRO

TH-41 at Pioneer Trail CHASKA

Ref.Pt.: 004.737

video JI

TURN MOVEMENT COUNT

File Name : TH-41 at Pioneer Trail 2014

Site Code :

Start Date : 2/5/2014

Page No : 1

Groups Printed- Cars +

Start Time	TH-41 Southbound				Pioneer Trail Westbound				TH-41 Northbound				Pioneer Trail Eastbound				Int. Total
	Right	Thru	Left	Peds	Right	Thru	Left	Peds	Right	Thru	Left	Peds	Right	Thru	Left	Peds	
***** BREAK *****																	
06:00	4	19	2	0	1	4	2	0	2	64	15	0	24	16	13	0	166
06:15	3	25	2	0	9	7	3	0	7	72	14	0	31	15	20	0	208
06:30	10	31	6	0	3	13	5	0	7	113	12	0	52	27	33	0	312
06:45	9	57	6	0	1	13	4	0	6	158	24	0	50	37	33	0	398
Total	26	132	16	0	14	37	14	0	22	407	65	0	157	95	99	0	1084
07:00	13	52	7	0	10	19	12	0	13	138	27	0	59	51	30	0	431
07:15	10	82	5	0	9	29	9	0	16	184	35	0	55	64	42	0	540
07:30	10	41	8	0	9	28	9	0	13	184	24	0	37	88	57	0	508
07:45	22	56	10	0	8	31	10	0	21	211	18	0	38	113	54	0	592
Total	55	231	30	0	36	107	40	0	63	717	104	0	189	316	183	0	2071
08:00	19	46	9	0	8	46	8	0	14	177	23	0	39	90	53	0	532
08:15	11	58	10	0	4	30	8	0	12	102	26	0	34	41	40	0	376
08:30	14	66	11	0	10	28	15	0	11	110	27	0	63	48	42	0	445
08:45	9	58	9	0	7	13	18	0	21	149	26	0	45	53	36	0	444
Total	53	228	39	0	29	117	49	0	58	538	102	0	181	232	171	0	1797
***** BREAK *****																	
11:00	7	53	20	0	14	37	19	0	26	57	17	0	27	32	16	0	325
11:15	10	58	29	0	11	37	26	0	33	60	23	0	16	31	27	0	361
11:30	15	75	28	0	11	37	25	0	36	57	21	0	18	28	6	0	357
11:45	16	67	34	0	15	40	35	0	39	80	26	0	14	34	23	0	423
Total	48	253	111	0	51	151	105	0	134	254	87	0	75	125	72	0	1466
12:00	21	63	40	0	22	42	30	0	20	73	22	0	19	43	21	0	416
12:15	10	64	39	0	17	27	29	0	26	76	26	0	26	29	28	0	397
12:30	16	48	24	0	23	38	37	0	24	69	13	0	20	24	27	0	363
12:45	13	60	24	0	14	33	36	0	31	100	29	0	24	21	28	0	413
Total	60	235	127	0	76	140	132	0	101	318	90	0	89	117	104	0	1589
***** BREAK *****																	
15:00	44	136	30	0	8	83	36	0	28	89	25	0	18	24	22	0	543
15:15	35	123	23	0	16	75	36	0	29	87	21	0	34	40	28	0	547
15:30	27	142	20	0	8	84	38	0	23	97	29	0	28	33	19	0	548
15:45	30	112	31	0	10	70	35	0	34	75	31	0	21	51	18	0	518
Total	136	513	104	0	42	312	145	0	114	348	106	0	101	148	87	0	2156
16:00	40	152	33	0	11	71	45	0	38	85	45	0	22	65	26	0	633
16:15	35	118	21	0	14	62	43	0	30	78	39	0	21	44	18	0	523
16:30	42	141	27	0	3	93	38	0	40	83	59	0	19	44	31	0	620
16:45	44	107	22	0	8	80	45	0	41	79	49	0	13	41	28	0	557
Total	161	518	103	0	36	306	171	0	149	325	192	0	75	194	103	0	2333
17:00	44	149	22	0	9	93	37	0	39	87	53	0	23	34	36	0	626
17:15	55	95	23	0	5	82	45	0	32	86	63	0	20	30	31	0	567
17:30	42	93	26	0	7	103	27	0	38	95	65	0	22	38	27	0	583
17:45	40	90	27	0	7	95	48	0	19	92	64	0	21	46	26	0	575
Total	181	427	98	0	28	373	157	0	128	360	245	0	86	148	120	0	2351
Grand Total	720	2537	628	0	312	1543	813	0	769	3267	991	0	953	1375	939	0	14847
Apprch %	18.5	65.3	16.2	0	11.7	57.8	30.5	0	15.3	65	19.7	0	29.2	42.1	28.7	0	
Total %	4.8	17.1	4.2	0	2.1	10.4	5.5	0	5.2	22	6.7	0	6.4	9.3	6.3	0	



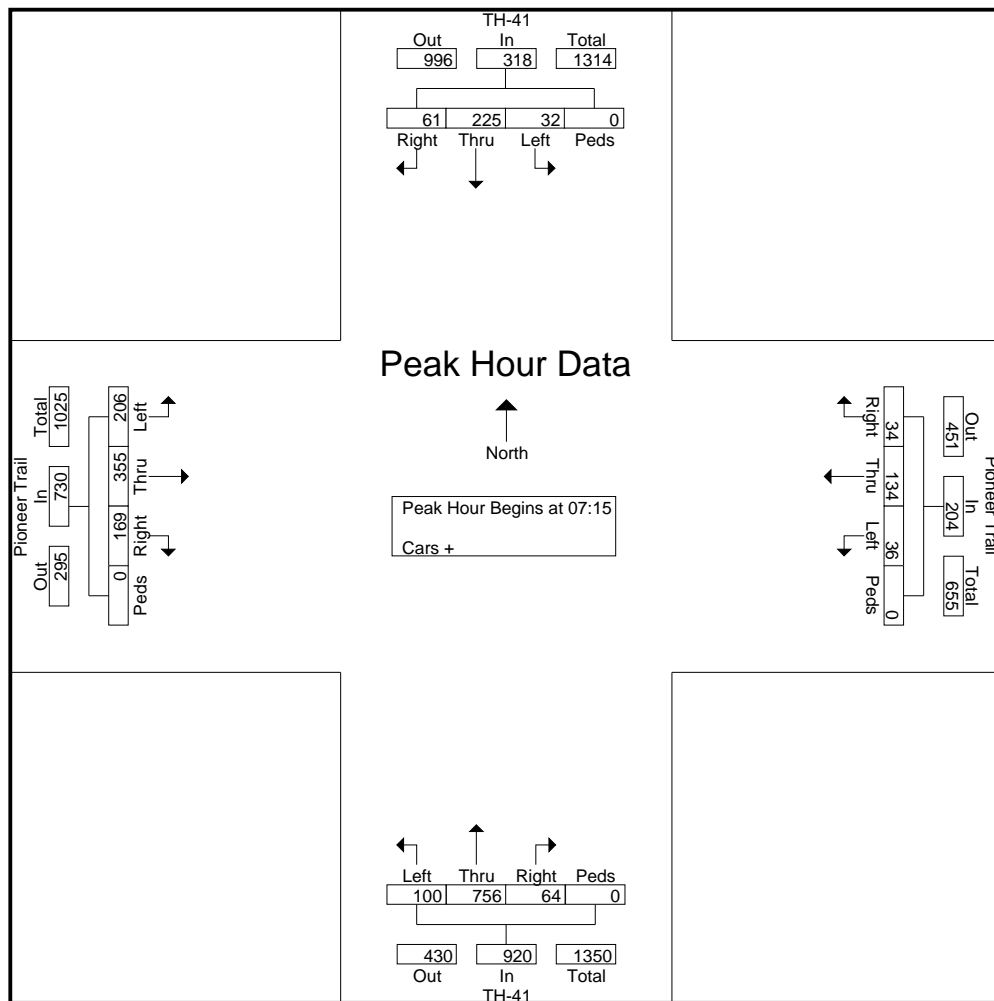
MINNESOTA DEPT OF TRANSPORTATION

TRAFFIC DATA COLLECTION - METRO

TH-41 at Pioneer Trail CHASKA
 Ref.Pt.: 004.737
 video JI
 TURN MOVEMENT COUNT

File Name : TH-41 at Pioneer Trail 2014
 Site Code :
 Start Date : 2/5/2014
 Page No : 3

Start Time	TH-41 Southbound					Pioneer Trail Westbound					TH-41 Northbound					Pioneer Trail Eastbound					Int. Total
	Right	Thru	Left	Peds	App. Total	Right	Thru	Left	Peds	App. Total	Right	Thru	Left	Peds	App. Total	Right	Thru	Left	Peds	App. Total	
Peak Hour Analysis From 05:45 to 08:45 - Peak 1 of 1																					
Peak Hour for Entire Intersection Begins at 07:15																					
07:15	10	82	5	0	97	9	29	9	0	47	16	184	35	0	235	55	64	42	0	161	540
07:30	10	41	8	0	59	9	28	9	0	46	13	184	24	0	221	37	88	57	0	182	508
07:45	22	56	10	0	88	8	31	10	0	49	21	211	18	0	250	38	113	54	0	205	592
08:00	19	46	9	0	74	8	46	8	0	62	14	177	23	0	214	39	90	53	0	182	532
Total Volume	61	225	32	0	318	34	134	36	0	204	64	756	100	0	920	169	355	206	0	730	2172
% App. Total	19.2	70.8	10.1	0		16.7	65.7	17.6	0		7	82.2	10.9	0		23.2	48.6	28.2	0		
PHF	.693	.686	.800	.000	.820	.944	.728	.900	.000	.823	.762	.896	.714	.000	.920	.768	.785	.904	.000	.890	.917





MINNESOTA DEPT OF TRANSPORTATION

TRAFFIC DATA COLLECTION - METRO

TH-41 at Pioneer Trail CHASKA
 Ref.Pt.: 004.737
 video JI
 TURN MOVEMENT COUNT

File Name : TH-41 at Pioneer Trail 2014
 Site Code :
 Start Date : 2/5/2014
 Page No : 4

Start Time	TH-41 Southbound					Pioneer Trail Westbound					TH-41 Northbound					Pioneer Trail Eastbound					Int. Total
	Rig ht	Thr u	Left	Ped s	App. Total	Rig ht	Thr u	Left	Ped s	App. Total	Right	Thr u	Left	Peds	App. Total	Right	Thr u	Left	Peds	App. Total	
Peak Hour Analysis From 15:00 to 17:45 - Peak 1 of 1																					
Peak Hour for Entire Intersection Begins at 16:30																					
16:30	42	141	27	0	210	3	93	38	0	134	40	83	59	0	182	19	44	31	0	94	620
16:45	44	107	22	0	173	8	80	45	0	133	41	79	49	0	169	13	41	28	0	82	557
17:00	44	149	22	0	215	9	93	37	0	139	39	87	53	0	179	23	34	36	0	93	626
17:15	55	95	23	0	173	5	82	45	0	132	32	86	63	0	181	20	30	31	0	81	567
Total Volume	185	492	94	0	771	25	348	165	0	538	152	335	224	0	711	75	149	126	0	350	2370
% App. Total	24	63.8	12.2	0		4.6	64.7	30.7	0		21.4	47.1	31.5	0		21.4	42.6	36	0		
PHF	.841	.826	.870	.000	.897	.694	.935	.917	.000	.968	.927	.963	.889	.000	.977	.815	.847	.875	.000	.931	.946

