

# Alliant Engineering, Inc.

233 Park Ave Suite 300

Minneapolis, MN 55415

--TRAFFIC DATA--

TH 47 & 40th Ave

Ref.Pt.: 5.750

data by : Alliant Inc.

TURN MOVEMENT COUNT

File Name : 602\_TH 47 & 40th Ave

Site Code : 602

Start Date : 2/28/2018

Page No : 1

## Groups Printed- Class 1 - Class 2

Start Time	TH 47 From North					40th Ave From East					TH 47 From South					40th Ave From West					Int. Total
	Other	Right	Thru	Left	App. Total	Other	Right	Thru	Left	App. Total	Other	Right	Thru	Left	App. Total	Other	Right	Thru	Left	App. Total	
06:00 AM	0	4	97	8	109	0	6	7	8	21	1	3	38	0	42	0	1	4	1	6	178
06:15 AM	0	4	186	16	206	0	15	5	13	33	0	6	28	3	37	1	5	3	11	20	296
06:30 AM	0	3	214	18	235	0	15	7	9	31	0	4	66	3	73	0	8	3	4	15	354
06:45 AM	0	4	218	22	244	0	12	7	16	35	0	7	61	2	70	3	5	7	4	19	368
Total	0	15	715	64	794	0	48	26	46	120	1	20	193	8	222	4	19	17	20	60	1196
07:00 AM	0	9	214	13	236	0	20	6	17	43	0	7	66	4	77	1	13	9	15	38	394
07:15 AM	3	6	250	22	281	0	32	5	16	53	8	3	74	1	86	3	7	7	11	28	448
07:30 AM	0	3	274	21	298	0	33	8	23	64	0	6	102	1	109	0	6	7	11	24	495
07:45 AM	0	6	272	31	309	0	29	10	21	60	0	11	109	2	122	0	11	14	10	35	526
Total	3	24	1010	87	1124	0	114	29	77	220	8	27	351	8	394	4	37	37	47	125	1863
08:00 AM	0	4	257	34	295	0	18	13	20	51	0	13	110	3	126	1	7	6	5	19	491
08:15 AM	0	11	231	30	272	0	20	11	19	50	0	7	69	6	82	0	7	6	7	20	424
08:30 AM	0	3	173	21	197	1	24	5	17	47	2	8	67	3	80	2	2	7	2	13	337
08:45 AM	0	4	156	24	184	0	22	3	8	33	0	11	72	1	84	4	4	9	8	25	326
Total	0	22	817	109	948	1	84	32	64	181	2	39	318	13	372	7	20	28	22	77	1578
09:00 AM	0	7	123	18	148	0	13	4	9	26	1	9	81	3	94	0	3	9	5	17	285
09:15 AM	0	2	119	21	142	0	14	3	13	30	0	15	76	0	91	0	4	6	6	16	279
*** BREAK ***																					
Total	0	9	242	39	290	0	27	7	22	56	1	24	157	3	185	0	7	15	11	33	564
*** BREAK ***																					
10:30 AM	0	1	116	20	137	0	24	9	5	38	0	5	63	1	69	1	5	4	6	16	260
10:45 AM	0	7	97	29	133	0	14	9	11	34	0	19	54	1	74	1	4	12	2	19	260
Total	0	8	213	49	270	0	38	18	16	72	0	24	117	2	143	2	9	16	8	35	520
11:00 AM	0	5	93	30	128	0	22	10	11	43	0	14	84	1	99	0	3	9	5	17	287
11:15 AM	0	6	77	34	117	0	25	8	11	44	0	18	90	2	110	1	4	8	2	15	286
11:30 AM	0	0	92	25	117	0	22	7	12	41	0	11	100	0	111	2	3	10	7	22	291
11:45 AM	0	4	104	26	134	1	23	9	18	51	1	16	83	4	104	1	1	11	2	15	304
Total	0	15	366	115	496	1	92	34	52	179	1	59	357	7	424	4	11	38	16	69	1168
12:00 PM	0	5	69	26	100	0	25	9	10	44	0	20	92	1	113	0	1	9	4	14	271
12:15 PM	0	7	94	36	137	0	22	7	13	42	0	11	68	3	82	0	0	8	3	11	272
12:30 PM	0	5	109	21	135	0	27	12	16	55	2	9	88	3	102	2	2	7	2	13	305
12:45 PM	1	0	107	27	135	0	30	5	11	46	1	19	91	2	113	1	4	8	6	19	313
Total	1	17	379	110	507	0	104	33	50	187	3	59	339	9	410	3	7	32	15	57	1161
01:00 PM	0	8	76	38	122	1	32	17	15	65	1	12	69	2	84	2	3	7	8	20	291
01:15 PM	2	3	85	23	113	1	30	6	17	54	1	14	95	1	111	4	4	5	6	19	297
*** BREAK ***																					
Total	2	11	161	61	235	2	62	23	32	119	2	26	164	3	195	6	7	12	14	39	588
*** BREAK ***																					
02:30 PM	0	9	90	24	123	0	21	9	6	36	1	16	140	6	163	2	2	5	4	13	335
02:45 PM	0	9	122	40	171	0	24	6	18	48	0	20	131	5	156	1	2	16	6	25	400
Total	0	18	212	64	294	0	45	15	24	84	1	36	271	11	319	3	4	21	10	38	735
03:00 PM	0	13	102	36	151	0	28	15	19	62	0	25	158	9	192	2	1	10	7	20	425
03:15 PM	0	8	111	24	143	0	37	12	6	55	0	24	185	2	211	1	1	7	7	16	425
03:30 PM	1	12	134	43	190	0	39	8	19	66	0	17	201	4	222	3	0	7	7	17	495
03:45 PM	0	13	124	30	167	0	26	9	17	52	0	25	205	2	232	2	2	14	6	24	475
Total	1	46	471	133	651	0	130	44	61	235	0	91	749	17	857	8	4	38	27	77	1820
04:00 PM	0	11	123	51	185	1	36	12	11	60	1	27	207	11	246	6	3	7	7	23	514
04:15 PM	0	7	120	27	154	0	29	12	18	59	0	21	260	11	292	1	4	18	10	33	538
04:30 PM	4	19	115	40	178	0	36	11	10	57	0	26	251	7	284	8	2	10	11	31	550

# Alliant Engineering, Inc.

233 Park Ave Suite 300

Minneapolis, MN 55415

--TRAFFIC DATA--

TH 47 & 40th Ave

Ref.Pt.: 5.750

data by : Alliant Inc.

TURN MOVEMENT COUNT

File Name : 602\_TH 47 & 40th Ave

Site Code : 602\_\_\_\_\_

Start Date : 2/28/2018

Page No : 2

Groups Printed- Class 1 - Class 2

Start Time	TH 47 From North					40th Ave From East					TH 47 From South					40th Ave From West					Int. Total
	Other	Rght	Thru	Left	App. Total	Other	Rght	Thru	Left	App. Total	Other	Rght	Thru	Left	App. Total	Other	Rght	Thru	Left	App. Total	
04:45 PM	0	20	119	39	178	0	36	13	17	66	0	23	274	14	311	1	3	13	7	24	579
Total	4	57	477	157	695	1	137	48	56	242	1	97	992	43	1133	16	12	48	35	111	2181
05:00 PM	3	16	138	36	193	1	39	11	14	65	1	38	312	2	353	8	4	11	6	29	640
05:15 PM	0	11	135	48	194	0	35	16	11	62	0	25	254	5	284	1	1	7	8	17	557
05:30 PM	1	11	112	51	175	0	40	15	15	70	0	15	243	4	262	2	1	5	2	10	517
05:45 PM	0	10	100	34	144	0	31	10	14	55	0	21	179	5	205	0	4	14	9	27	431
Total	4	48	485	169	706	1	145	52	54	252	1	99	988	16	1104	11	10	37	25	83	2145
Grand Total	15	290	5548	1157	7010	6	1026	361	554	1947	21	601	4996	140	5758	68	147	339	250	804	15519
Apprch %	0.2	4.1	79.1	16.5		0.3	52.7	18.5	28.5		0.4	10.4	86.8	2.4		8.5	18.3	42.2	31.1		
Total %	0.1	1.9	35.7	7.5	45.2	0	6.6	2.3	3.6	12.5	0.1	3.9	32.2	0.9	37.1	0.4	0.9	2.2	1.6	5.2	
Class 1	15	275	5103	1117	6510	6	992	338	514	1850	21	553	4588	129	5291	68	134	306	235	743	14394
% Class 1	100	94.8	92	96.5	92.9	100	96.7	93.6	92.8	95	100	92	91.8	92.1	91.9	100	91.2	90.3	94	92.4	92.8
Class 2	0	15	445	40	500	0	34	23	40	97	0	48	408	11	467	0	13	33	15	61	1125
% Class 2	0	5.2	8	3.5	7.1	0	3.3	6.4	7.2	5	0	8	8.2	7.9	8.1	0	8.8	9.7	6	7.6	7.2

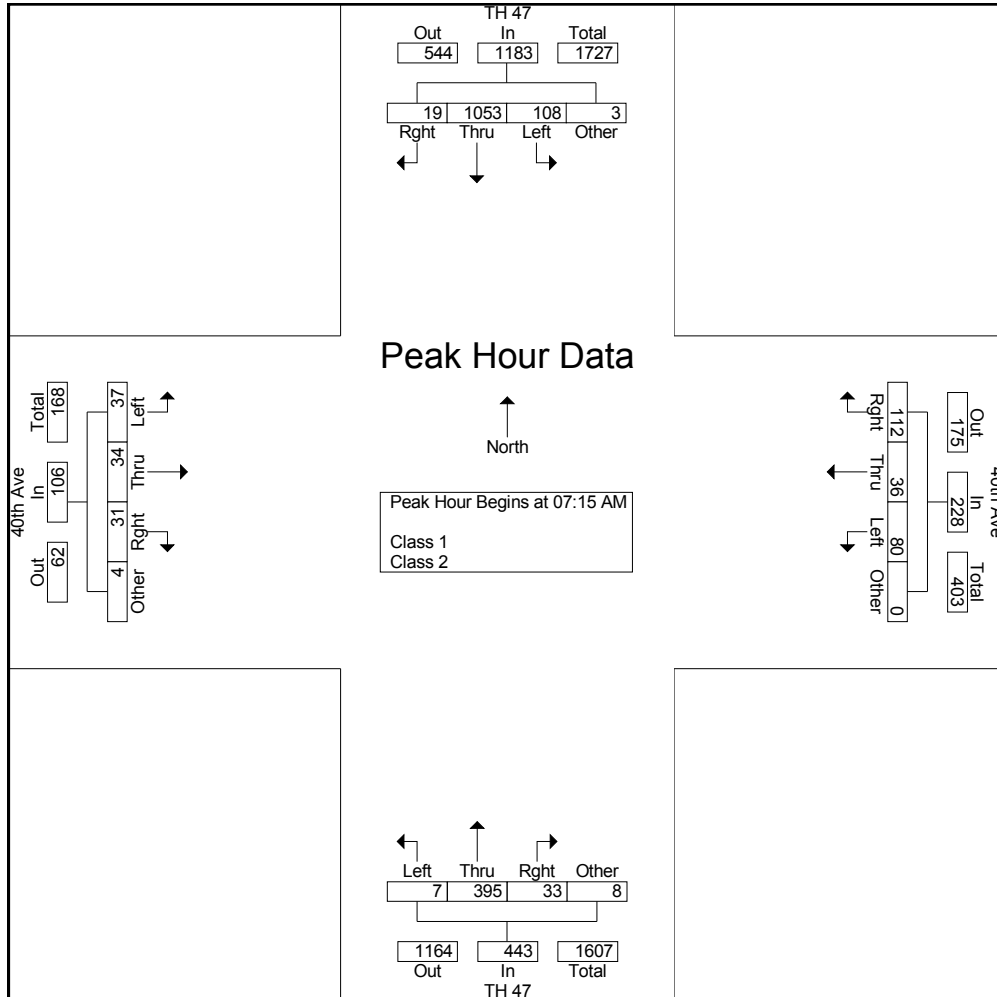
# Alliant Engineering, Inc.

233 Park Ave Suite 300  
 Minneapolis, MN 55415  
 --TRAFFIC DATA--

TH 47 & 40th Ave  
 Ref.Pt.: 5.750  
 data by : Alliant Inc.  
 TURN MOVEMENT COUNT

File Name : 602\_TH 47 & 40th Ave  
 Site Code : 602\_\_\_\_\_  
 Start Date : 2/28/2018  
 Page No : 3

Start Time	TH 47 From North					40th Ave From East					TH 47 From South					40th Ave From West					Int. Total
	Other	Right	Thru	Left	App. Total	Other	Right	Thru	Left	App. Total	Other	Right	Thru	Left	App. Total	Other	Right	Thru	Left	App. Total	
Peak Hour Analysis From 06:00 AM to 11:45 AM - Peak 1 of 1																					
Peak Hour for Entire Intersection Begins at 07:15 AM																					
07:15 AM	3	6	250	22	281	0	32	5	16	53	8	3	74	1	86	3	7	7	11	28	448
07:30 AM	0	3	274	21	298	0	33	8	23	64	0	6	102	1	109	0	6	7	11	24	495
07:45 AM	0	6	272	31	309	0	29	10	21	60	0	11	109	2	122	0	11	14	10	35	526
08:00 AM	0	4	257	34	295	0	18	13	20	51	0	13	110	3	126	1	7	6	5	19	491
Total Volume	3	19	1053	108	1183	0	112	36	80	228	8	33	395	7	443	4	31	34	37	106	1960
% App. Total	0.3	1.6	89	9.1		0	49.1	15.8	35.1		1.8	7.4	89.2	1.6		3.8	29.2	32.1	34.9		
PHF	.250	.792	.961	.794	.957	.000	.848	.692	.870	.891	.250	.635	.898	.583	.879	.333	.705	.607	.841	.757	.932



# Alliant Engineering, Inc.

233 Park Ave Suite 300

Minneapolis, MN 55415

--TRAFFIC DATA--

TH 47 & 40th Ave

Ref.Pt.: 5.750

data by : Alliant Inc.

TURN MOVEMENT COUNT

File Name : 602\_TH 47 & 40th Ave

Site Code : 602\_\_\_\_\_

Start Date : 2/28/2018

Page No : 4

Start Time	TH 47 From North					40th Ave From East					TH 47 From South					40th Ave From West					Int. Total
	Other	Rgh t	Thru	Left	App. Total	Other	Rgh t	Thru	Left	App. Total	Other	Rgh t	Thru	Left	App. Total	Other	Rgh t	Thru	Left	App. Total	
Peak Hour Analysis From 12:00 PM to 05:45 PM - Peak 1 of 1																					
Peak Hour for Entire Intersection Begins at 04:30 PM																					
04:30 PM	4	19	115	40	178	0	36	11	10	57	0	26	251	7	284	8	2	10	11	31	550
04:45 PM	0	20	119	39	178	0	36	13	17	66	0	23	274	14	311	1	3	13	7	24	579
05:00 PM	3	16	138	36	193	1	39	11	14	65	1	38	312	2	353	8	4	11	6	29	640
05:15 PM	0	11	135	48	194	0	35	16	11	62	0	25	254	5	284	1	1	7	8	17	557
Total Volume	7	66	507	163	743	1	146	51	52	250	1	112	1091	28	1232	18	10	41	32	101	2326
% App. Total	0.9	8.9	68.2	21.9		0.4	58.4	20.4	20.8		0.1	9.1	88.6	2.3		17.8	9.9	40.6	31.7		
PHF	.438	.825	.918	.849	.957	.250	.936	.797	.765	.947	.250	.737	.874	.500	.873	.563	.625	.788	.727	.815	.909

