

Alliant Engineering

Minneapolis, MN 55415

--TRAFFIC DATA --

TH-47 at 149th Ave NE /Sunwood Dr

Ref.Pt.: 023.374

Alliant Eng.

TURN MOVEMENT COUNT

File Name : 203_TH 47 & 149th-Sunwood

Site Code : 203

Start Date : 2/25/2016

Page No : 1

Groups Printed- Vehicles - Trucks

Start Time	TH-47 Southbound				149th Ave NW / Sunwood Dr Westbound				TH-47 Northbound				149th Ave NW / Sunwood Dr Eastbound				Int. Total
	Left	Thru	Rght	Other	Left	Thru	Rght	Other	Left	Thru	Rght	Other	Left	Thru	Rght	Other	
06:00	0	160	2	0	16	0	0	0	1	12	1	0	1	0	10	0	203
06:15	0	162	3	0	24	0	0	0	1	18	0	0	1	0	4	0	213
06:30	0	184	3	0	23	0	1	0	0	34	2	0	2	1	3	0	253
06:45	0	208	0	0	29	2	2	0	0	39	1	0	1	0	5	0	287
Total	0	714	8	0	92	2	3	0	2	103	4	0	5	1	22	0	956
07:00	0	166	4	0	33	3	4	0	6	27	3	0	0	2	1	0	249
07:15	0	144	6	0	13	11	1	0	4	53	2	0	2	1	7	0	244
07:30	0	144	8	0	13	3	1	0	4	49	1	0	2	0	2	0	227
07:45	0	133	4	0	19	5	0	0	1	53	1	0	4	0	5	0	225
Total	0	587	22	0	78	22	6	0	15	182	7	0	8	3	15	0	945
08:00	0	140	2	0	14	3	0	0	2	44	5	0	0	0	2	0	212
08:15	1	120	3	0	14	2	0	0	2	44	5	0	3	0	3	0	197
08:30	1	121	0	0	16	0	4	0	1	39	5	0	1	2	11	0	201
08:45	0	115	1	0	14	2	2	0	1	26	4	0	1	0	3	0	169
Total	2	496	6	0	58	7	6	0	6	153	19	0	5	2	19	0	779
09:00	1	118	4	0	9	2	0	0	2	53	0	0	8	0	4	0	201
09:15	0	89	1	0	11	1	0	0	4	54	1	0	4	0	5	0	170
*** BREAK ***																	
Total	1	207	5	0	20	3	0	0	6	107	1	0	12	0	9	0	371
*** BREAK ***																	
10:30	0	68	1	0	6	0	0	0	1	43	1	0	1	2	2	0	125
10:45	1	71	2	0	10	1	1	0	3	62	5	0	2	0	7	0	165
Total	1	139	3	0	16	1	1	0	4	105	6	0	3	2	9	0	290
11:00	2	65	3	0	4	0	1	0	5	51	7	0	1	0	2	0	141
11:15	0	60	1	0	8	0	1	0	0	64	8	0	1	0	4	0	147
11:30	0	75	1	0	2	1	0	0	4	64	7	0	3	0	2	0	159
11:45	0	88	2	0	4	1	1	0	3	63	7	0	2	1	6	0	178
Total	2	288	7	0	18	2	3	0	12	242	29	0	7	1	14	0	625
12:00	0	56	3	0	9	1	1	0	0	64	7	0	3	1	2	0	147
12:15	0	77	2	0	9	1	0	0	2	58	5	0	0	0	2	0	156
12:30	1	62	2	0	7	0	1	0	4	80	9	0	1	2	4	0	173
12:45	0	56	1	0	6	1	1	0	1	70	8	0	0	0	3	0	147
Total	1	251	8	0	31	3	3	0	7	272	29	0	4	3	11	0	623
13:00	0	74	1	0	6	0	0	0	2	60	2	0	1	1	5	0	152
13:15	1	68	0	0	10	2	0	0	4	53	7	0	4	0	5	0	154
13:30	0	0	0	0	0	0	0	0	0	1	0	0	0	0	0	0	1
13:45	0	0	0	0	0	0	0	0	0	1	0	0	0	0	0	0	1
Total	1	142	1	0	16	2	0	0	6	115	9	0	5	1	10	0	308
14:00	0	2	0	0	0	0	0	0	0	1	0	0	0	0	0	0	3
14:15	0	2	0	0	0	0	0	0	0	3	0	0	0	0	0	0	5
14:30	0	64	1	0	13	1	1	0	7	157	10	0	0	1	7	0	262
14:45	1	75	1	0	5	0	1	0	6	138	16	0	3	1	6	0	253
Total	1	143	2	0	18	1	2	0	13	299	26	0	3	2	13	0	523
15:00	1	72	2	0	7	3	1	0	2	163	15	0	4	2	7	0	279
15:15	2	90	3	0	7	1	1	0	12	191	16	0	2	1	4	0	330
15:30	0	74	2	0	11	2	1	0	6	183	21	0	4	5	4	0	313
15:45	0	77	5	0	8	3	3	0	10	173	20	0	1	1	5	0	306
Total	3	313	12	0	33	9	6	0	30	710	72	0	11	9	20	0	1228
16:00	0	92	2	0	12	6	0	0	7	211	32	0	6	3	4	0	375

Alliant Engineering

Minneapolis, MN 55415

--TRAFFIC DATA --

TH-47 at 149th Ave NE /Sunwood Dr

Ref.Pt.: 023.374

Alliant Eng.

TURN MOVEMENT COUNT

File Name : 203_TH 47 & 149th-Sunwood

Site Code : 203

Start Date : 2/25/2016

Page No : 2

Groups Printed- Vehicles - Trucks

Start Time	TH-47 Southbound				149th Ave NW / Sunwood Dr Westbound				TH-47 Northbound				149th Ave NW / Sunwood Dr Eastbound				Int. Total
	Left	Thru	Rght	Other	Left	Thru	Rght	Other	Left	Thru	Rght	Other	Left	Thru	Rght	Other	
16:15	3	98	2	0	8	2	3	0	9	172	22	0	3	3	7	0	332
16:30	1	91	3	0	13	2	1	0	2	201	25	0	2	5	9	0	355
16:45	2	109	3	0	17	2	0	0	1	193	21	0	3	3	3	0	357
Total	6	390	10	0	50	12	4	0	19	777	100	0	14	14	23	0	1419
17:00	5	109	8	0	11	2	3	0	3	212	22	0	4	2	3	0	384
17:15	2	100	2	0	13	3	2	0	4	200	27	0	4	3	2	0	362
17:30	0	91	7	0	16	1	0	0	4	165	17	0	4	2	9	0	316
17:45	2	98	5	0	11	3	3	0	9	176	22	0	3	2	3	0	337
Total	9	398	22	0	51	9	8	0	20	753	88	0	15	9	17	0	1399
Grand Total	27	4068	106	0	481	73	42	0	140	3818	390	0	92	47	182	0	9466
Apprch %	0.6	96.8	2.5	0	80.7	12.2	7	0	3.2	87.8	9	0	28.7	14.6	56.7	0	
Total %	0.3	43	1.1	0	5.1	0.8	0.4	0	1.5	40.3	4.1	0	1	0.5	1.9	0	
Vehicles	27	4002	103	0	478	72	37	0	135	3737	390	0	90	44	176	0	9291
% Vehicles	100	98.4	97.2	0	99.4	98.6	88.1	0	96.4	97.9	100	0	97.8	93.6	96.7	0	98.2
Trucks	0	66	3	0	3	1	5	0	5	81	0	0	2	3	6	0	175
% Trucks	0	1.6	2.8	0	0.6	1.4	11.9	0	3.6	2.1	0	0	2.2	6.4	3.3	0	1.8

Alliant Engineering

Minneapolis, MN 55415

--TRAFFIC DATA --

TH-47 at 149th Ave NE /Sunwood Dr

Ref.Pt.: 023.374

Alliant Eng.

TURN MOVEMENT COUNT

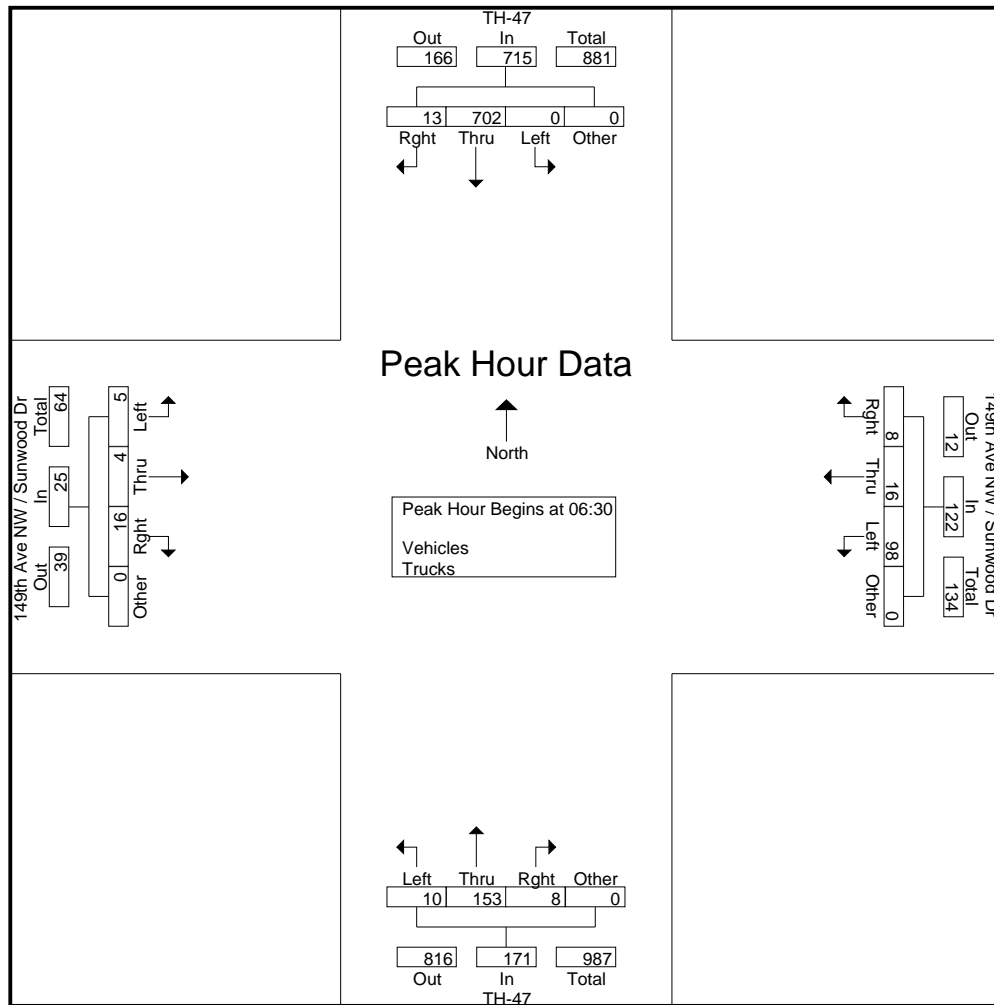
File Name : 203_TH 47 & 149th-Sunwood

Site Code : 203

Start Date : 2/25/2016

Page No : 3

Start Time	TH-47 Southbound					149th Ave NW / Sunwood Dr Westbound					TH-47 Northbound					149th Ave NW / Sunwood Dr Eastbound					Int. Total
	Left	Thru	Rght	Other	App. Total	Left	Thru	Rght	Other	App. Total	Left	Thru	Rght	Other	App. Total	Left	Thru	Rght	Other	App. Total	
Peak Hour Analysis From 06:00 to 11:45 - Peak 1 of 1																					
Peak Hour for Entire Intersection Begins at 06:30																					
06:30	0	184	3	0	187	23	0	1	0	24	0	34	2	0	36	2	1	3	0	6	253
06:45	0	208	0	0	208	29	2	2	0	33	0	39	1	0	40	1	0	5	0	6	287
07:00	0	166	4	0	170	33	3	4	0	40	6	27	3	0	36	0	2	1	0	3	249
07:15	0	144	6	0	150	13	11	1	0	25	4	53	2	0	59	2	1	7	0	10	244
Total Volume	0	702	13	0	715	98	16	8	0	122	10	153	8	0	171	5	4	16	0	25	1033
% App. Total	0	98.2	1.8	0		80.3	13.1	6.6	0		5.8	89.5	4.7	0		20	16	64	0		
PHF	.000	.844	.542	.000	.859	.742	.364	.500	.000	.763	.417	.722	.667	.000	.725	.625	.500	.571	.000	.625	.900



Alliant Engineering

Minneapolis, MN 55415

--TRAFFIC DATA --

TH-47 at 149th Ave NE /Sunwood Dr

Ref.Pt.: 023.374

Alliant Eng.

TURN MOVEMENT COUNT

File Name : 203_TH 47 & 149th-Sunwood

Site Code : 203

Start Date : 2/25/2016

Page No : 4

Start Time	TH-47 Southbound					149th Ave NW / Sunwood Dr Westbound					TH-47 Northbound					149th Ave NW / Sunwood Dr Eastbound					Int. Total
	Left	Thru	Rght	Other	App. Total	Left	Thru	Rght	Other	App. Total	Left	Thru	Rght	Other	App. Total	Left	Thru	Rght	Other	App. Total	
Peak Hour Analysis From 12:00 to 17:45 - Peak 1 of 1																					
Peak Hour for Entire Intersection Begins at 16:30																					
16:30	1	91	3	0	95	13	2	1	0	16	2	201	25	0	228	2	5	9	0	16	355
16:45	2	109	3	0	114	17	2	0	0	19	1	193	21	0	215	3	3	3	0	9	357
17:00	5	109	8	0	122	11	2	3	0	16	3	212	22	0	237	4	2	3	0	9	384
17:15	2	100	2	0	104	13	3	2	0	18	4	200	27	0	231	4	3	2	0	9	362
Total Volume	10	409	16	0	435	54	9	6	0	69	10	806	95	0	911	13	13	17	0	43	1458
% App. Total	2.3	94	3.7	0		78.3	13	8.7	0		1.1	88.5	10.4	0		30.2	30.2	39.5	0		
PHF	.500	.938	.500	.000	.891	.794	.750	.500	.000	.908	.625	.950	.880	.000	.961	.813	.650	.472	.000	.672	.949

