

MINNESOTA DEPARTMENT OF TRANSPORTATION
TRAFFIC DATA COLLECTION - Metro

Th-47 at 229th Ave
Ref.Pt.034+00.576
Video by KM
TURN MOVEMENT COUNT

File Name : th-47 AT 229TH aVE
Site Code :
Start Date : 12/14/2016
Page No : 1

Groups Printed- Cars +

Start Time	TH-47 Southbound				229th Ave Westbound				TH-47 Northbound				229th Ave Eastbound				Int. Total
	Left	Thru	Right	Peds	Left	Thru	Right	Peds	Left	Thru	Right	Peds	Left	Thru	Right	Peds	
06:00	12	117	2	0	4	0	6	0	0	11	4	0	0	0	0	0	156
06:15	7	146	2	0	14	1	6	0	0	22	8	0	0	0	0	0	206
06:30	13	131	0	0	15	1	6	0	0	29	7	0	0	0	1	0	203
06:45	16	124	0	0	17	0	8	0	0	30	8	0	0	0	0	0	203
Total	48	518	4	0	50	2	26	0	0	92	27	0	0	0	1	0	768
07:00	16	111	1	0	8	0	21	0	0	44	11	0	0	2	1	0	215
07:15	30	143	0	0	9	0	24	0	0	47	7	0	0	0	1	0	261
07:30	49	120	1	0	11	0	45	0	1	62	21	0	0	0	0	0	310
07:45	28	117	2	0	20	1	29	0	4	54	13	0	2	2	1	0	273
Total	123	491	4	0	48	1	119	0	5	207	52	0	2	4	3	0	1059
08:00	16	79	6	0	14	11	11	0	4	39	12	0	1	3	5	0	201
08:15	8	92	1	0	10	2	10	0	4	30	7	0	0	4	1	0	169
08:30	12	87	0	0	7	0	12	0	1	35	5	0	0	1	1	0	161
08:45	13	65	0	0	8	0	10	0	0	37	3	0	0	1	0	0	137
Total	49	323	7	0	39	13	43	0	9	141	27	0	1	9	7	0	668
09:00	45	91	1	0	13	0	30	0	0	39	6	0	1	1	0	203	430
09:15	38	50	0	0	11	3	27	0	1	37	7	0	0	4	0	0	178
09:30	9	66	1	0	6	3	24	0	0	34	6	0	0	1	1	0	151
09:45	19	50	0	0	7	0	16	0	0	39	4	0	2	0	0	0	137
Total	111	257	2	0	37	6	97	0	1	149	23	0	3	6	1	203	896
10:00	8	48	0	0	5	1	15	0	0	34	2	0	0	0	0	0	113
10:15	11	45	1	0	6	0	19	0	0	30	1	0	0	0	0	0	113
10:30	23	48	0	0	6	0	21	0	0	35	7	0	0	1	0	0	141
10:45	22	44	0	0	4	0	14	0	0	35	2	0	0	0	0	0	121
Total	64	185	1	0	21	1	69	0	0	134	12	0	0	1	0	0	488
11:00	17	40	0	0	4	0	15	0	0	32	3	0	0	2	0	0	113
11:15	14	44	1	0	4	0	16	0	0	31	4	0	0	1	0	0	115
11:30	12	48	1	0	5	0	18	0	0	40	8	0	0	0	1	0	133
11:45	14	46	1	0	5	0	16	0	1	46	0	0	0	2	0	0	131
Total	57	178	3	0	18	0	65	0	1	149	15	0	0	5	1	0	492
12:00	12	36	2	0	6	0	22	0	0	40	3	0	1	4	1	0	127
12:15	15	52	0	0	9	5	23	0	1	39	8	0	0	1	1	0	154
12:30	25	49	0	0	5	0	19	0	0	42	6	0	1	0	1	0	148
12:45	25	39	0	0	5	1	19	0	0	31	8	0	0	0	0	0	128
Total	77	176	2	0	25	6	83	0	1	152	25	0	2	5	3	0	557
13:00	12	48	0	0	6	3	27	0	0	54	8	0	0	0	0	0	158
13:15	21	46	0	0	9	1	21	0	0	49	5	0	0	0	0	0	152
13:30	18	41	0	0	8	1	21	0	1	48	7	0	0	0	0	0	145
13:45	19	35	0	0	7	2	27	0	0	55	7	0	0	0	0	0	152
Total	70	170	0	0	30	7	96	0	1	206	27	0	0	0	0	0	607
14:00	28	39	0	0	10	0	31	0	0	41	13	0	0	0	0	0	162
14:15	18	60	1	0	12	0	28	0	0	71	11	0	0	0	0	0	201
14:30	23	52	0	0	13	0	25	0	1	80	6	0	0	0	0	0	200
14:45	30	40	0	0	3	1	29	0	0	62	7	0	0	0	0	0	172
Total	99	191	1	0	38	1	113	0	1	254	37	0	0	0	0	0	735
15:00	20	81	3	0	8	2	10	0	1	96	9	0	0	0	0	0	230
15:15	25	55	0	0	5	3	17	0	2	97	11	0	0	2	0	0	217
15:30	32	45	1	0	14	3	25	0	2	123	19	0	0	2	0	0	266
15:45	35	45	0	0	12	0	38	0	1	133	15	0	0	0	0	0	279
Total	112	226	4	0	39	8	90	0	6	449	54	0	0	4	0	0	992

MINNESOTA DEPARTMENT OF TRANSPORTATION
TRAFFIC DATA COLLECTION - Metro

Th-47 at 229th Ave
Ref.Pt.034+00.576
Video by KM
TURN MOVEMENT COUNT

File Name : th-47 AT 229TH aVE
Site Code :
Start Date : 12/14/2016
Page No : 2

Groups Printed- Cars +

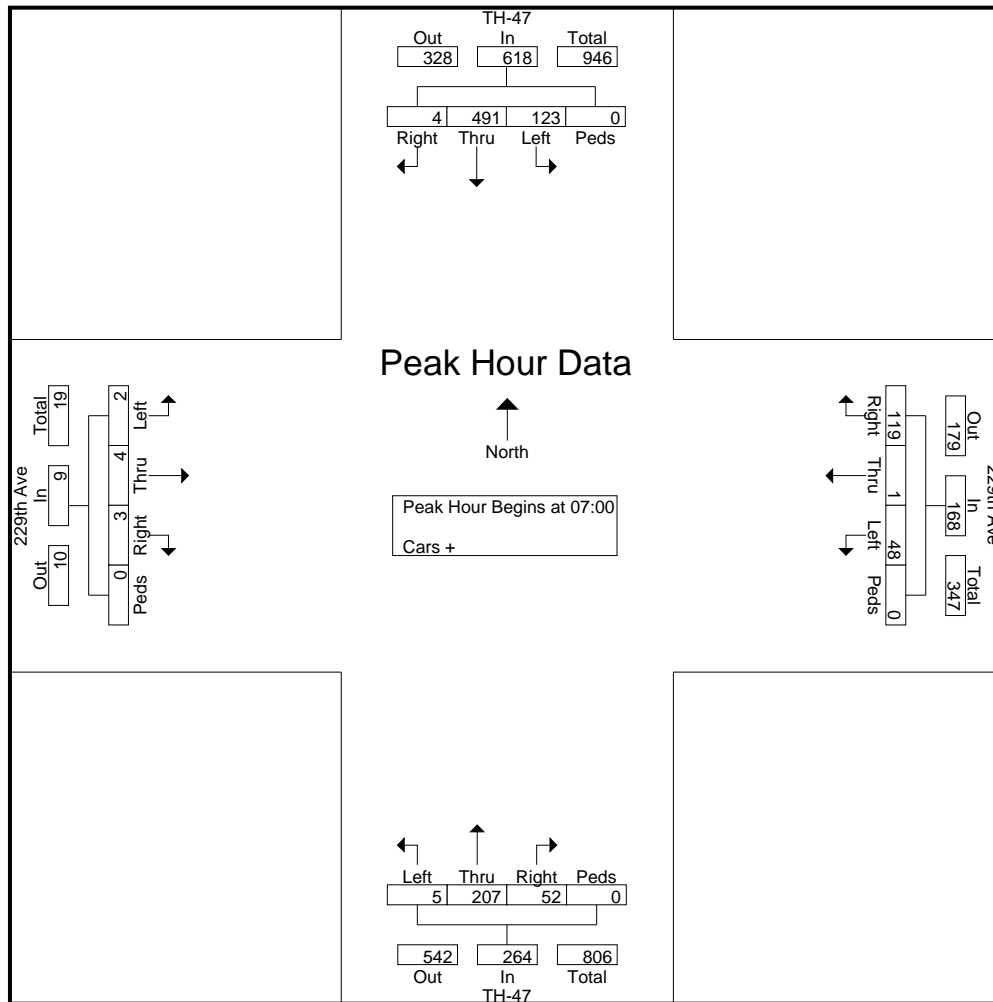
Start Time	TH-47 Southbound				229th Ave Westbound				TH-47 Northbound				229th Ave Eastbound				Int. Total	
	Left	Thru	Right	Peds	Left	Thru	Right	Peds	Left	Thru	Right	Peds	Left	Thru	Right	Peds		
16:00	28	44	0	0	11	1	52	0	0	160	29	0	0	0	0	0	0	325
16:15	36	48	0	0	16	1	35	0	0	131	18	0	0	0	0	0	0	285
16:30	22	59	0	0	16	0	28	0	1	157	20	0	0	0	0	0	0	303
16:45	28	65	1	0	10	0	28	0	2	129	31	0	2	0	1	0	0	297
Total	114	216	1	0	53	2	143	0	3	577	98	0	2	0	1	0	0	1210
17:00	32	55	0	0	8	1	17	0	0	153	24	0	1	1	1	0	0	293
17:15	45	61	0	0	17	0	22	0	0	142	22	0	1	2	0	0	0	312
17:30	25	46	0	0	8	0	24	0	2	137	20	0	0	0	0	0	0	262
17:45	27	56	0	0	4	0	19	0	1	107	12	0	1	0	1	1	1	229
Total	129	218	0	0	37	1	82	0	3	539	78	0	3	3	2	1	0	1096
Grand Total	1053	3149	29	0	435	48	1026	0	31	3049	475	0	13	37	19	204	0	9568
Apprch %	24.9	74.4	0.7	0	28.8	3.2	68	0	0.9	85.8	13.4	0	4.8	13.6	7	74.7	0	
Total %	11	32.9	0.3	0	4.5	0.5	10.7	0	0.3	31.9	5	0	0.1	0.4	0.2	2.1	0	

MINNESOTA DEPARTMENT OF TRANSPORTATION
TRAFFIC DATA COLLECTION - Metro

Th-47 at 229th Ave
Ref.Pt.034+00.576
Video by KM
TURN MOVEMENT COUNT

File Name : th-47 AT 229TH aVE
Site Code :
Start Date : 12/14/2016
Page No : 3

Start Time	TH-47 Southbound					229th Ave Westbound					TH-47 Northbound					229th Ave Eastbound					Int. Total
	Left	Thru	Right	Peds	App. Total	Left	Thru	Right	Peds	App. Total	Left	Thru	Right	Peds	App. Total	Left	Thru	Right	Peds	App. Total	
Peak Hour Analysis From 06:00 to 11:45 - Peak 1 of 1																					
Peak Hour for Entire Intersection Begins at 07:00																					
07:00	16	111	1	0	128	8	0	21	0	29	0	44	11	0	55	0	2	1	0	1	261
07:15	30	143	0	0	173	9	0	24	0	33	0	47	7	0	54	0	0	0	0	0	310
07:30	49							45		56	1	62	21	0	84	0	0	0	0	0	310
07:45	28	117	2			20	1				4					2				5	273
Total Volume	123	491	4	0	618	48	1	119	0	168	5	207	52	0	264	2	4	3	0	9	1059
% App. Total	19.9	79.4	0.6	0		28.6	0.6	70.8	0		1.9	78.4	19.7	0		22.2	44.4	33.3	0		
PHF	.628	.858	.500	.000	.893	.600	.250	.661	.000	.750	.313	.835	.619	.000	.786	.250	.500	.750	.000	.450	.854



MINNESOTA DEPARTMENT OF TRANSPORTATION
TRAFFIC DATA COLLECTION - Metro

Th-47 at 229th Ave
Ref.Pt.034+00.576
Video by KM
TURN MOVEMENT COUNT

File Name : th-47 AT 229TH aVE
Site Code :
Start Date : 12/14/2016
Page No : 4

Start Time	TH-47 Southbound					229th Ave Westbound					TH-47 Northbound					229th Ave Eastbound					Int. Total
	Left	Thru	Right	Peds	App. Total	Left	Thru	Right	Peds	App. Total	Left	Thru	Right	Peds	App. Total	Left	Thru	Right	Peds	App. Total	
Peak Hour Analysis From 12:00 to 17:45 - Peak 1 of 1																					
Peak Hour for Entire Intersection Begins at 16:00																					
16:00	28	44	0	0	72	11	1	52	0	64	0	160			189	0	0	0	0	0	325
16:15	36					16	1	35	0	52	0	131	18	0	149	0	0	0	0	0	285
16:30	22	59	0	0	81	16	0	28	0	44	1	157	20	0	178	0	0	0	0	0	303
16:45	28	65	1	0	94	10	0	28	0	38	2		31	0	162	2		1		3	297
Total Volume	114	216	1	0	331	53	2	143	0	198	3	577	98	0	678	2	0	1	0	3	1210
% App. Total	34.4	65.3	0.3	0		26.8	1	72.2	0		0.4	85.1	14.5	0		66.7	0	33.3	0		
PHF	.792	.831	.250	.000	.880	.828	.500	.688	.000	.773	.375	.902	.790	.000	.897	.250	.000	.250	.000	.250	.931

