



MINNESOTA DEPT OF TRANSPORTATION

TRAFFIC DATA COLLECTION - METRO

TH-5 at Dell Rd EDEN PRAIRIE
 Ref.Pt.: 046.755
 Data by: Westwood Professional Services
 TURN MOVEMENT COUNT

File Name : TH-5 at Dell Rd 2008
 Site Code : 14052524
 Start Date : 9/24/2008
 Page No : 1

Groups Printed- Unshifted

Start Time	Dell Rd. Southbound				TH-5 Westbound				Dell Rd. Northbound				TH-5 Eastbound				Int. Total
	Left	Thru	Right	Peds	Left	Thru	Right	Peds	Left	Thru	Right	Peds	Left	Thru	Right	Peds	
06:00	21	3	0	1	12	121	19	0	4	12	6	0	1	226	5	0	431
06:15	34	10	0	0	13	135	22	0	3	17	12	0	4	236	8	0	494
06:30	35	8	2	0	20	147	28	0	7	23	15	0	4	329	7	0	625
06:45	47	25	2	0	27	175	25	0	15	31	12	0	6	340	9	0	714
Total	137	46	4	1	72	578	94	0	29	83	45	0	15	1131	29	0	2264
07:00	61	33	8	0	34	143	18	0	14	40	22	0	4	358	8	0	743
07:15	51	36	6	0	34	165	16	0	17	64	38	1	2	343	18	0	791
07:30	49	33	6	0	42	202	21	0	17	49	52	0	2	428	13	0	914
07:45	42	49	7	0	48	218	24	0	15	49	43	0	10	386	18	0	909
Total	203	151	27	0	158	728	79	0	63	202	155	1	18	1515	57	0	3357
08:00	39	32	1	0	53	186	21	0	23	53	44	0	2	339	17	0	810
08:15	43	31	0	0	33	206	43	2	16	31	40	0	5	280	9	0	739
08:30	44	24	2	0	37	193	26	0	18	26	20	0	7	282	8	0	687
08:45	36	19	3	0	36	202	16	0	12	13	24	0	10	282	7	0	660
Total	162	106	6	0	159	787	106	2	69	123	128	0	24	1183	41	0	2896
09:00	0	0	0	0	39	186	17	1	9	33	13	0	0	0	0	0	298
*** BREAK ***																	
Total	0	0	0	0	39	186	17	1	9	33	13	0	0	0	0	0	298
*** BREAK ***																	
11:00	20	12	7	0	18	228	28	0	13	13	29	0	4	236	19	0	627
11:15	27	17	11	0	15	225	24	0	8	15	39	0	9	262	21	0	673
11:30	30	20	13	0	35	239	19	0	16	15	40	0	10	270	16	0	723
11:45	28	14	13	0	19	212	26	0	24	16	37	0	3	258	16	0	666
Total	105	63	44	0	87	904	97	0	61	59	145	0	26	1026	72	0	2689
12:00	28	11	5	0	36	227	33	0	16	16	30	0	5	271	11	0	689
12:15	23	15	9	0	38	233	36	0	24	13	29	0	9	240	21	0	690
12:30	32	15	15	0	35	261	33	0	14	13	26	0	7	233	25	0	709
12:45	24	18	12	0	39	234	28	0	19	17	20	0	5	265	26	0	707
Total	107	59	41	0	148	955	130	0	73	59	105	0	26	1009	83	0	2795
*** BREAK ***																	
15:00	39	54	16	0	32	290	52	0	27	22	28	0	8	306	17	0	891
15:15	44	33	13	0	26	322	47	0	32	17	21	0	6	330	25	0	916
15:30	29	16	11	0	15	316	32	0	13	24	42	0	9	301	31	0	839
15:45	32	32	12	0	38	337	36	0	41	29	41	0	2	246	26	0	872
Total	144	135	52	0	111	1265	167	0	113	92	132	0	25	1183	99	0	3518
16:00	37	33	11	0	29	335	48	0	31	33	48	0	8	259	21	0	893
16:15	37	29	8	0	27	381	41	0	25	21	42	0	9	265	31	0	916
16:30	42	46	17	0	34	340	53	0	25	34	63	0	13	275	24	0	966
16:45	37	43	12	0	38	400	52	0	24	43	43	0	11	312	23	0	1038
Total	153	151	48	0	128	1456	194	0	105	131	196	0	41	1111	99	0	3813
17:00	42	39	17	0	33	345	39	0	36	55	77	0	14	260	27	0	984
17:15	33	59	19	0	33	402	61	0	17	40	57	0	24	293	28	0	1066
17:30	46	63	19	0	51	393	43	0	31	58	49	0	15	273	27	0	1068
17:45	47	56	17	0	41	361	58	0	44	56	42	0	8	243	31	0	1004
Total	168	217	72	0	158	1501	201	0	128	209	225	0	61	1069	113	0	4122



MINNESOTA DEPT OF TRANSPORTATION

TRAFFIC DATA COLLECTION - METRO

TH-5 at Dell Rd EDEN PRAIRIE
 Ref.Pt.: 046.755
 Data by: Westwood Professional Services
 TURN MOVEMENT COUNT

File Name : TH-5 at Dell Rd 2008
 Site Code : 14052524
 Start Date : 9/24/2008
 Page No : 2

Groups Printed- Unshifted

	Dell Rd. Southbound				TH-5 Westbound				Dell Rd. Northbound				TH-5 Eastbound				Int. Total
	Left	Thru	Right	Peds	Left	Thru	Right	Peds	Left	Thru	Right	Peds	Left	Thru	Right	Peds	
Grand Total	1179	928	294	1	1060	8360	1085	3	650	991	1144	1	236	9227	593	0	25752
Apprch %	49.1	38.6	12.2	0	10.1	79.6	10.3	0	23.3	35.6	41.1	0	2.3	91.8	5.9	0	
Total %	4.6	3.6	1.1	0	4.1	32.5	4.2	0	2.5	3.8	4.4	0	0.9	35.8	2.3	0	



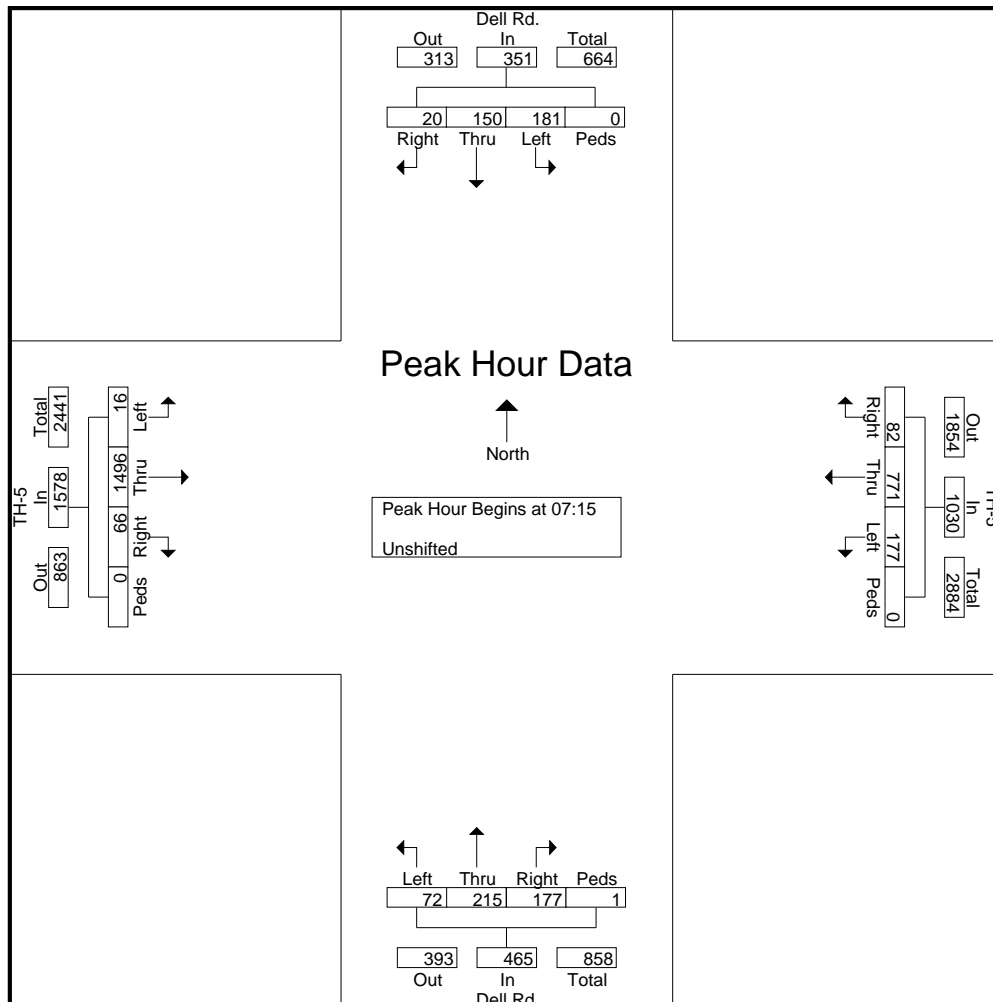
MINNESOTA DEPT OF TRANSPORTATION

TRAFFIC DATA COLLECTION - METRO

TH-5 at Dell Rd EDEN PRAIRIE
 Ref.Pt.: 046.755
 Data by: Westwood Professional Services
 TURN MOVEMENT COUNT

File Name : TH-5 at Dell Rd 2008
 Site Code : 14052524
 Start Date : 9/24/2008
 Page No : 3

Start Time	Dell Rd. Southbound					TH-5 Westbound					Dell Rd. Northbound					TH-5 Eastbound					Int. Total
	Left	Thru	Right	Peds	App. Total	Left	Thru	Right	Peds	App. Total	Left	Thru	Right	Peds	App. Total	Left	Thru	Right	Peds	App. Total	
Peak Hour Analysis From 06:00 to 08:45 - Peak 1 of 1																					
Peak Hour for Entire Intersection Begins at 07:15																					
07:15	51	36	6	0	93	34	165	16	0	215	17	64	38	1	120	2	343	18	0	363	791
07:30	49	33	6	0	88	42	202	21	0	265	17	49	52	0	118	2	428	13	0	443	914
07:45	42	49	7	0	98	48	218	24	0	290	15	49	43	0	107	10	386	18	0	414	909
08:00	39	32	1	0	72	53	186	21	0	260	23	53	44	0	120	2	339	17	0	358	810
Total Volume	181	150	20	0	351	177	771	82	0	1030	72	215	177	1	465	16	1496	66	0	1578	3424
% App. Total	51.6	42.7	5.7	0		17.2	74.9	8	0		15.5	46.2	38.1	0.2		1	94.8	4.2	0		
PHF	.887	.765	.714	.000	.895	.835	.884	.854	.000	.888	.783	.840	.851	.250	.969	.400	.874	.917	.000	.891	.937





MINNESOTA DEPT OF TRANSPORTATION

TRAFFIC DATA COLLECTION - METRO

TH-5 at Dell Rd EDEN PRAIRIE
 Ref.Pt.: 046.755
 Data by: Westwood Professional Services
 TURN MOVEMENT COUNT

File Name : TH-5 at Dell Rd 2008
 Site Code : 14052524
 Start Date : 9/24/2008
 Page No : 4

Start Time	Dell Rd. Southbound					TH-5 Westbound					Dell Rd. Northbound					TH-5 Eastbound					Int. Total
	Left	Thru	Right	Peds	App. Total	Left	Thru	Right	Peds	App. Total	Left	Thru	Right	Peds	App. Total	Left	Thru	Right	Peds	App. Total	

Peak Hour Analysis From 15:00 to 17:45 - Peak 1 of 1
 Peak Hour for Entire Intersection Begins at 16:45

16:45	37	43	12	0	92	38	400	52	0	490	24	43	43	0	110	11	312	23	0	346	1038
17:00	42	39	17	0	98	33	345	39	0	417	36	55	77	0	168	14	260	27	0	301	984
17:15	33	59	19	0	111	33	402	61	0	496	17	40	57	0	114	24	293	28	0	345	1066
17:30	46	63	19	0	128	51	393	43	0	487	31	58	49	0	138	15	273	27	0	315	1068
Total Volume	158	204	67	0	429	155	1540	195	0	1890	108	196	226	0	530	64	1138	105	0	1307	4156
% App. Total	36.8	47.6	15.6	0		8.2	81.5	10.3	0		20.4	37	42.6	0		4.9	87.1	8	0		
PHF	.859	.810	.882	.000	.838	.760	.958	.799	.000	.953	.750	.845	.734	.000	.789	.667	.912	.938	.000	.944	.973

