



701 Xenia Ave S, Suite 300  
 Minneapolis, MN 55416

TH 5 & Davern St  
 7-9am & 4-6pm  
 vehicles, heavy trucks, peds  
 day 1

File Name : site 3-TH 5 & Davern St-day 1  
 Site Code : 3  
 Start Date : 3/29/2022  
 Page No : 1

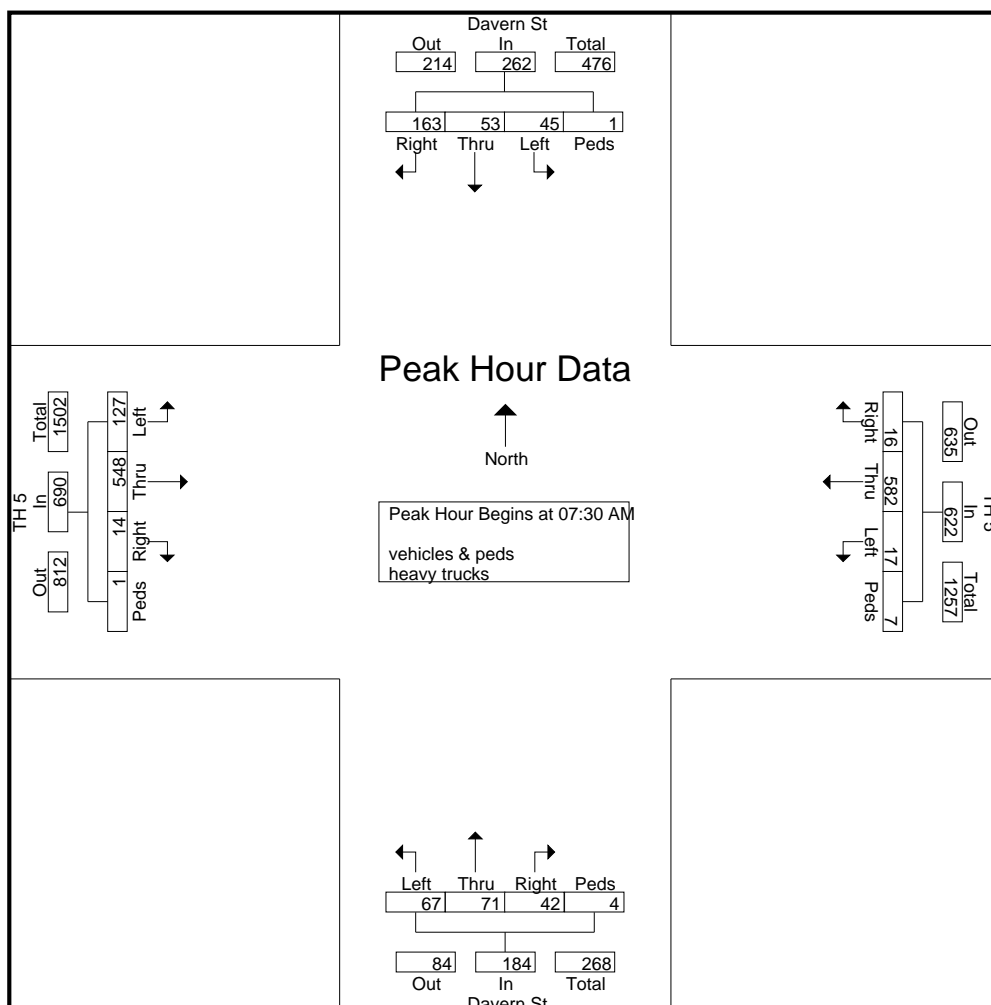
Groups Printed- vehicles & peds - heavy trucks

Start Time	Davern St From North					TH 5 From East					Davern St From South					TH 5 From West					Int. Total
	Right	Thru	Left	Peds	App. Total	Right	Thru	Left	Peds	App. Total	Right	Thru	Left	Peds	App. Total	Right	Thru	Left	Peds	App. Total	
07:00 AM	41	4	8	0	53	3	113	4	0	120	9	8	12	1	30	4	101	15	1	121	324
07:15 AM	42	8	15	1	66	2	139	3	0	144	8	12	7	1	28	2	107	21	0	130	368
07:30 AM	51	13	9	0	73	1	157	3	2	163	9	16	19	0	44	1	149	21	0	171	451
07:45 AM	28	9	7	0	44	4	162	6	2	174	13	15	17	2	47	2	139	37	0	178	443
Total	162	34	39	1	236	10	571	16	4	601	39	51	55	4	149	9	496	94	1	600	1586
08:00 AM	43	9	7	0	59	7	119	4	0	130	10	27	16	0	53	2	133	33	1	169	411
08:15 AM	41	22	22	1	86	4	144	4	3	155	10	13	15	2	40	9	127	36	0	172	453
08:30 AM	45	15	14	2	76	4	171	5	2	182	11	14	18	1	44	8	114	24	0	146	448
08:45 AM	29	18	12	2	61	3	121	9	1	134	8	15	15	1	39	7	147	18	0	172	406
Total	158	64	55	5	282	18	555	22	6	601	39	69	64	4	176	26	521	111	1	659	1718
04:00 PM	64	30	10	0	104	7	144	17	1	169	10	11	12	1	34	7	159	37	3	206	513
04:15 PM	40	15	11	2	68	4	153	6	0	163	12	19	16	5	52	5	163	38	3	209	492
04:30 PM	35	20	6	1	62	4	168	12	0	184	13	16	18	0	47	5	175	35	1	216	509
04:45 PM	41	23	8	0	72	3	184	13	0	200	12	25	12	1	50	6	204	36	1	247	569
Total	180	88	35	3	306	18	649	48	1	716	47	71	58	7	183	23	701	146	8	878	2083
05:00 PM	42	20	12	1	75	3	162	9	1	175	14	19	11	2	46	11	223	34	0	268	564
05:15 PM	40	19	2	0	61	5	175	15	0	195	14	18	10	0	42	11	234	44	0	289	587
05:30 PM	39	20	7	0	66	4	176	14	0	194	7	12	22	2	43	7	222	46	4	279	582
05:45 PM	27	22	7	2	58	1	115	15	0	131	13	20	16	2	51	5	186	38	1	230	470
Total	148	81	28	3	260	13	628	53	1	695	48	69	59	6	182	34	865	162	5	1066	2203
Grand Total	648	267	157	12	1084	59	2403	139	12	2613	173	260	236	21	690	92	2583	513	15	3203	7590
Apprch %	59.8	24.6	14.5	1.1		2.3	92	5.3	0.5		25.1	37.7	34.2	3		2.9	80.6	16	0.5		
Total %	8.5	3.5	2.1	0.2	14.3	0.8	31.7	1.8	0.2	34.4	2.3	3.4	3.1	0.3	9.1	1.2	34	6.8	0.2	42.2	
vehicles & peds	648	267	157	12	1084	59	2392	139	12	2602	172	260	234	21	687	92	2577	511	13	3193	7566
% vehicles & peds	100	100	100	100	100	100	99.5	100	100	99.6	99.4	100	99.2	100	99.6	100	99.8	99.6	86.7	99.7	99.7
heavy trucks	0	0	0	0	0	0	11	0	0	11	1	0	2	0	3	0	6	2	2	10	24
% heavy trucks	0	0	0	0	0	0	0.5	0	0	0.4	0.6	0	0.8	0	0.4	0	0.2	0.4	13.3	0.3	0.3

TH 5 & Davern St  
7-9am & 4-6pm  
vehicles, heavy trucks, peds  
day 1

File Name : site 3-TH 5 & Davern St-day 1  
Site Code : 3  
Start Date : 3/29/2022  
Page No : 2

Start Time	Davern St From North					TH 5 From East					Davern St From South					TH 5 From West					Int. Total
	Right	Thru	Left	Peds	App. Total	Right	Thru	Left	Peds	App. Total	Right	Thru	Left	Peds	App. Total	Right	Thru	Left	Peds	App. Total	
Peak Hour Analysis From 07:00 AM to 11:45 AM - Peak 1 of 1																					
Peak Hour for Entire Intersection Begins at 07:30 AM																					
07:30 AM	51	13	9	0	73	1	157	3	2	163	9	16	19	0	44	1	149	21	0	171	451
07:45 AM	28	9	7	0	44	4	162	6	2	174	13	15	17	2	47	2	139	37	0	178	443
08:00 AM	43	9	7	0	59	7	119	4	0	130	10	27	16	0	53	2	133	33	1	169	411
08:15 AM	41	22	22	1	86	4	144	4	3	155	10	13	15	2	40	9	127	36	0	172	453
Total Volume	163	53	45	1	262	16	582	17	7	622	42	71	67	4	184	14	548	127	1	690	1758
% App. Total	62.2	20.2	17.2	0.4		2.6	93.6	2.7	1.1		22.8	38.6	36.4	2.2		2	79.4	18.4	0.1		
PHF	.799	.602	.511	.250	.762	.571	.898	.708	.583	.894	.808	.657	.882	.500	.868	.389	.919	.858	.250	.969	.970



TH 5 & Davern St  
7-9am & 4-6pm  
vehicles, heavy trucks, peds  
day 1

File Name : site 3-TH 5 & Davern St-day 1  
Site Code : 3  
Start Date : 3/29/2022  
Page No : 3

Start Time	Davern St From North					TH 5 From East					Davern St From South					TH 5 From West					Int. Total
	Rig ht	Thr u	Left	Ped s	App. Total	Rig ht	Thr u	Left	Ped s	App. Total	Right	Thr u	Left	Peds	App. Total	Right	Thr u	Left	Peds	App. Total	
Peak Hour Analysis From 12:00 PM to 05:45 PM - Peak 1 of 1																					
Peak Hour for Entire Intersection Begins at 04:45 PM																					
04:45 PM	41	23	8	0	72	3	184	13	0	200	12	25	12	1	50	6	204	36	1	247	569
05:00 PM	42	20	12	1	75	3	162	9	1	175	14	19	11	2	46	11	223	34	0	268	564
05:15 PM	40	19	2	0	61	5	175	15	0	195	14	18	10	0	42	11	234	44	0	289	587
05:30 PM	39	20	7	0	66	4	176	14	0	194	7	12	22	2	43	7	222	46	4	279	582
Total Volume	162	82	29	1	274	15	697	51	1	764	47	74	55	5	181	35	883	160	5	1083	2302
% App. Total	59.1	29.9	10.6	0.4		2	91.2	6.7	0.1		26	40.9	30.4	2.8		3.2	81.5	14.8	0.5		
PHF	.964	.891	.604	.250	.913	.750	.947	.850	.250	.955	.839	.740	.625	.625	.905	.795	.943	.870	.313	.937	.980

