



701 Xenia Ave S, Suite 300
 Minneapolis, MN 55416

TH 5 & Maynard Dr
 7-9am & 4-6pm
 vehicles, heavy trucks, peds
 day 2

File Name : site 4-TH 5 & Maynard Dr-day 2
 Site Code : 4
 Start Date : 3/31/2022
 Page No : 1

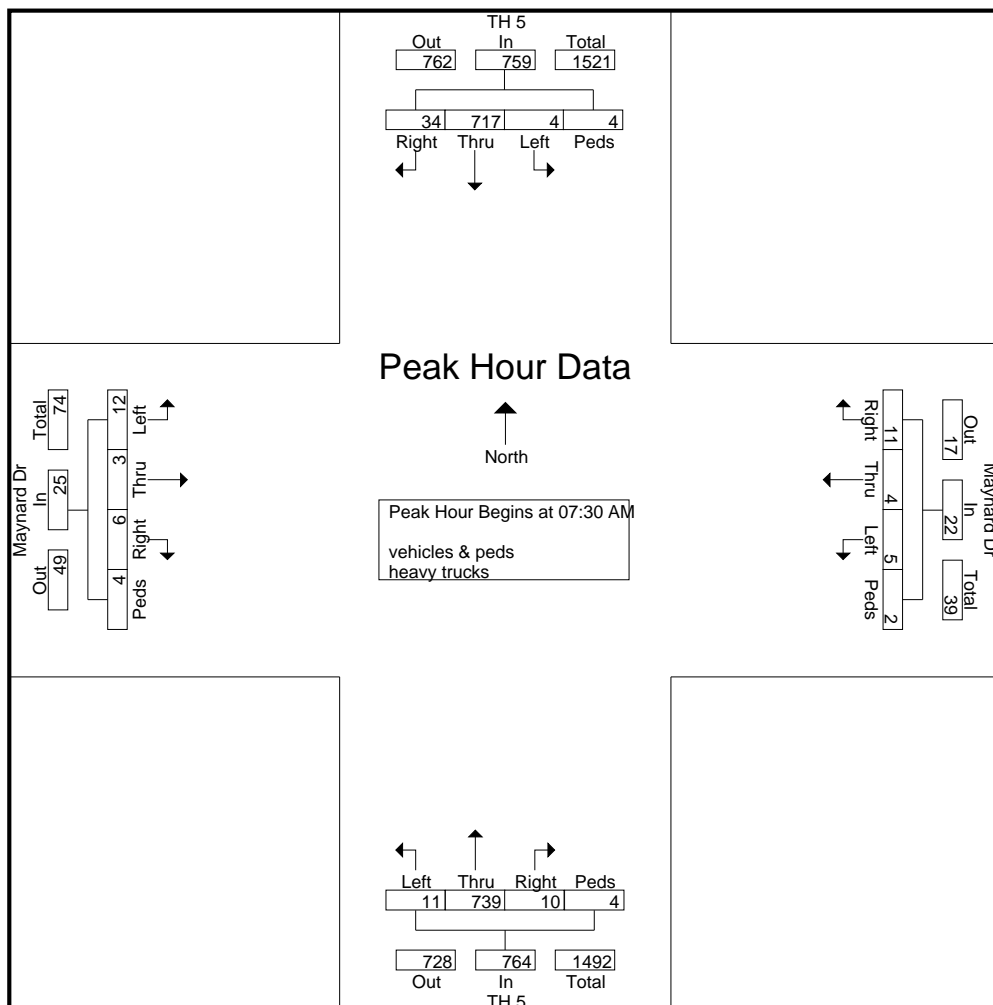
Groups Printed- vehicles & peds - heavy trucks

Start Time	TH 5 From North					Maynard Dr From East					TH 5 From South					Maynard Dr From West					Int. Total	
	Right	Thru	Left	Peds	App. Total	Right	Thru	Left	Peds	App. Total	Right	Thru	Left	Peds	App. Total	Right	Thru	Left	Peds	App. Total		
07:00 AM	4	125	1	3	133	3	6	4	0	13	2	126	2	0	130	0	0	4	0	4	4	280
07:15 AM	5	132	3	3	143	2	0	2	0	4	3	130	2	0	135	2	0	1	0	3	3	285
07:30 AM	11	187	1	2	201	2	1	1	0	4	3	164	4	0	171	0	0	2	2	4	4	380
07:45 AM	5	205	0	0	210	3	2	0	0	5	4	184	2	2	192	3	0	5	1	9	9	416
Total	25	649	5	8	687	10	9	7	0	26	12	604	10	2	628	5	0	12	3	20	20	1361
08:00 AM	7	156	3	0	166	2	0	1	2	5	0	183	2	2	187	1	2	3	0	6	6	364
08:15 AM	11	169	0	2	182	4	1	3	0	8	3	208	3	0	214	2	1	2	1	6	6	410
08:30 AM	2	169	2	3	176	1	2	1	0	4	3	159	4	0	166	1	0	6	0	7	7	353
08:45 AM	9	140	0	4	153	1	1	3	0	5	3	171	5	0	179	5	2	2	0	9	9	346
Total	29	634	5	9	677	8	4	8	2	22	9	721	14	2	746	9	5	13	1	28	28	1473
04:00 PM	7	179	3	7	196	4	1	3	4	12	13	201	7	1	222	8	3	9	0	20	20	450
04:15 PM	6	178	2	8	194	3	2	2	1	8	3	226	10	6	245	10	4	9	1	24	24	471
04:30 PM	11	182	2	15	210	2	2	3	0	7	4	223	13	4	244	11	5	17	1	34	34	495
04:45 PM	9	196	4	6	215	1	4	0	0	5	4	223	12	0	239	14	5	13	0	32	32	491
Total	33	735	11	36	815	10	9	8	5	32	24	873	42	11	950	43	17	48	2	110	110	1907
05:00 PM	11	197	2	6	216	1	3	3	0	7	10	263	11	1	285	17	1	13	0	31	31	539
05:15 PM	10	182	3	5	200	1	2	6	1	10	6	235	9	0	250	12	4	16	0	32	32	492
05:30 PM	11	149	5	6	171	3	2	1	0	6	7	202	11	0	220	10	0	11	1	22	22	419
05:45 PM	6	174	2	5	187	1	0	5	0	6	7	210	9	0	226	11	2	8	0	21	21	440
Total	38	702	12	22	774	6	7	15	1	29	30	910	40	1	981	50	7	48	1	106	106	1890
Grand Total	125	2720	33	75	2953	34	29	38	8	109	75	3108	106	16	3305	107	29	121	7	264	264	6631
Apprch %	4.2	92.1	1.1	2.5		31.2	26.6	34.9	7.3		2.3	94	3.2	0.5		40.5	11	45.8	2.7			
Total %	1.9	41	0.5	1.1	44.5	0.5	0.4	0.6	0.1	1.6	1.1	46.9	1.6	0.2	49.8	1.6	0.4	1.8	0.1	4		
vehicles & peds	125	2700	33	75	2933	33	29	38	8	108	74	3073	106	16	3269	107	29	121	7	264	264	6574
% vehicles & peds	100	99.3	100	100	99.3	97.1	100	100	100	99.1	98.7	98.9	100	100	98.9	100	100	100	100	100	100	99.1
heavy trucks	0	20	0	0	20	1	0	0	0	1	1	35	0	0	36	0	0	0	0	0	0	57
% heavy trucks	0	0.7	0	0	0.7	2.9	0	0	0	0.9	1.3	1.1	0	0	1.1	0	0	0	0	0	0	0.9

TH 5 & Maynard Dr
7-9am & 4-6pm
vehicles, heavy trucks, peds
day 2

File Name : site 4-TH 5 & Maynard Dr-day 2
Site Code : 4
Start Date : 3/31/2022
Page No : 2

Start Time	TH 5 From North					Maynard Dr From East					TH 5 From South					Maynard Dr From West					Int. Total
	Right	Thru	Left	Peds	App. Total	Right	Thru	Left	Peds	App. Total	Right	Thru	Left	Peds	App. Total	Right	Thru	Left	Peds	App. Total	
Peak Hour Analysis From 07:00 AM to 11:45 AM - Peak 1 of 1																					
Peak Hour for Entire Intersection Begins at 07:30 AM																					
07:30 AM	11	187	1	2	201	2	1	1	0	4	3	164	4	0	171	0	0	2	2	4	380
07:45 AM	5	205	0	0	210	3	2	0	0	5	4	184	2	2	192	3	0	5	1	9	416
08:00 AM	7	156	3	0	166	2	0	1	2	5	0	183	2	2	187	1	2	3	0	6	364
08:15 AM	11	169	0	2	182	4	1	3	0	8	3	208	3	0	214	2	1	2	1	6	410
Total Volume	34	717	4	4	759	11	4	5	2	22	10	739	11	4	764	6	3	12	4	25	1570
% App. Total	4.5	94.5	0.5	0.5		50	18.2	22.7	9.1		1.3	96.7	1.4	0.5		24	12	48	16		
PHF	.773	.874	.333	.500	.904	.688	.500	.417	.250	.688	.625	.888	.688	.500	.893	.500	.375	.600	.500	.694	.944



TH 5 & Maynard Dr
 7-9am & 4-6pm
 vehicles, heavy trucks, peds
 day 2

File Name : site 4-TH 5 & Maynard Dr-day 2
 Site Code : 4
 Start Date : 3/31/2022
 Page No : 3

Start Time	TH 5 From North					Maynard Dr From East					TH 5 From South					Maynard Dr From West					Int. Total
	Rig ht	Thr u	Left	Ped s	App. Total	Rig ht	Thr u	Left	Ped s	App. Total	Right	Thr u	Left	Peds	App. Total	Right	Thr u	Left	Peds	App. Total	
Peak Hour Analysis From 12:00 PM to 05:45 PM - Peak 1 of 1																					
Peak Hour for Entire Intersection Begins at 04:30 PM																					
04:30 PM	11	182	2	15	210	2	2	3	0	7	4	223	13	4	244	11	5	17	1	34	495
04:45 PM	9	196	4	6	215	1	4	0	0	5	4	223	12	0	239	14	5	13	0	32	491
05:00 PM	11	197	2	6	216	1	3	3	0	7	10	263	11	1	285	17	1	13	0	31	539
05:15 PM	10	182	3	5	200	1	2	6	1	10	6	235	9	0	250	12	4	16	0	32	492
Total Volume	41	757	11	32	841	5	11	12	1	29	24	944	45	5	1018	54	15	59	1	129	2017
% App. Total	4.9	90	1.3	3.8		17.2	37.9	41.4	3.4		2.4	92.7	4.4	0.5		41.9	11.6	45.7	0.8		
PHF	.932	.961	.688	.533	.973	.625	.688	.500	.250	.725	.600	.897	.865	.313	.893	.794	.750	.868	.250	.949	.936

