



701 Xenia Ave S, Suite 300  
 Minneapolis, MN 55416

TH 5 & Snelling/Springfield  
 7-9am & 4-6pm  
 vehicles, heavy trucks, bikes, peds  
 day 1

File Name : site 8-TH 5 & Snelling-day 1  
 Site Code : 8  
 Start Date : 3/22/2022  
 Page No : 1

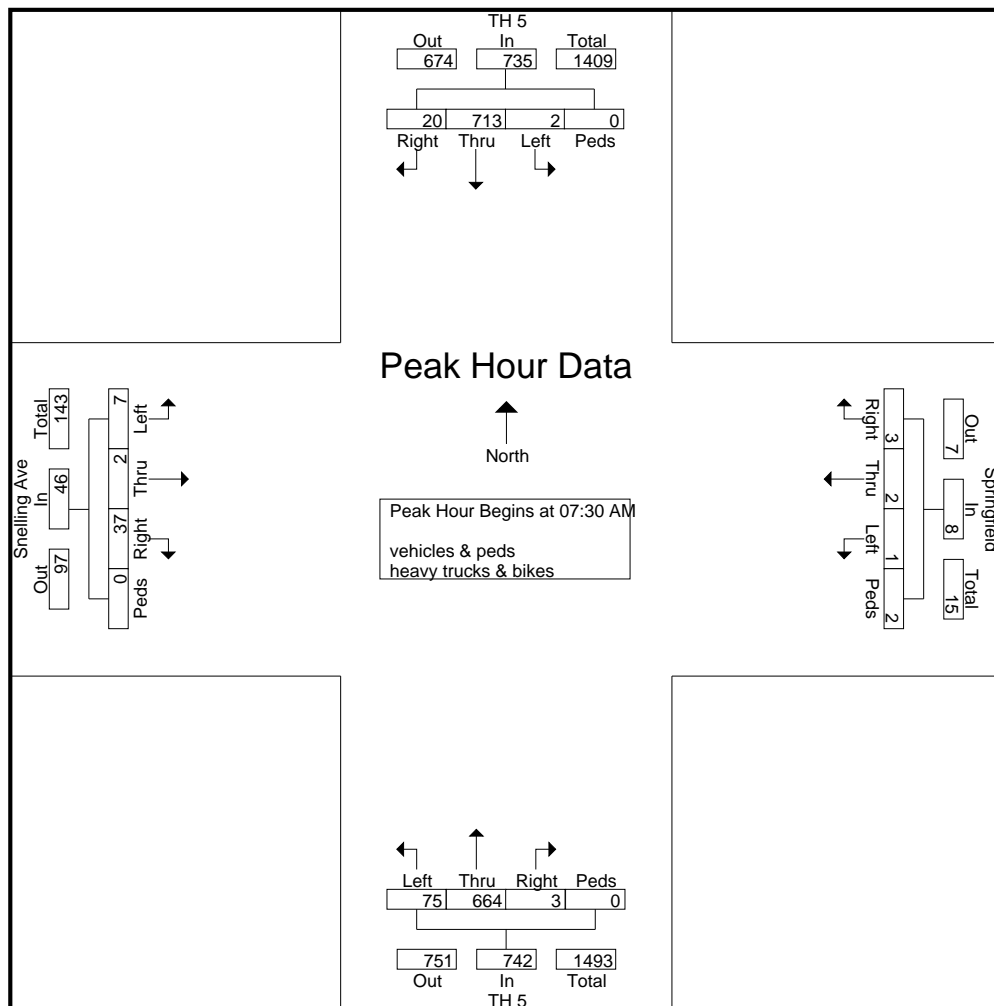
Groups Printed- vehicles & peds - heavy trucks & bikes

Start Time	TH 5 From North					Springfield From East					TH 5 From South					Snelling Ave From West					Int. Total
	Right	Thru	Left	bikes	App. Total	Right	Thru	Left	bikes	App. Total	Right	Thru	Left	bikes	App. Total	Right	Thru	Left	bikes	App. Total	
07:00 AM	1	139	0	0	140	0	0	0	0	0	1	111	14	0	126	7	0	0	0	7	273
07:15 AM	4	181	1	0	186	0	1	0	0	1	0	152	9	0	161	5	0	0	0	5	353
07:30 AM	2	187	0	0	189	0	0	0	0	0	1	181	10	0	192	6	1	2	0	9	390
07:45 AM	3	193	1	0	197	0	1	0	0	1	0	188	20	0	208	6	1	1	0	8	414
Total	10	700	2	0	712	0	2	0	0	2	2	632	53	0	687	24	2	3	0	29	1430
08:00 AM	5	162	0	0	167	3	1	0	2	6	0	134	22	0	156	10	0	0	0	10	339
08:15 AM	10	171	1	0	182	0	0	1	0	1	2	161	23	0	186	15	0	4	0	19	388
08:30 AM	5	179	0	0	184	2	0	2	1	5	1	165	12	0	178	15	0	2	0	17	384
08:45 AM	4	161	0	0	165	1	0	1	7	9	2	173	11	0	186	11	0	2	0	13	373
Total	24	673	1	0	698	6	1	4	10	21	5	633	68	0	706	51	0	8	0	59	1484
04:00 PM	4	216	1	0	221	2	0	1	0	3	3	218	19	0	240	15	1	2	0	18	482
04:15 PM	2	261	1	0	264	0	0	1	1	2	2	197	18	0	217	11	0	1	0	12	495
04:30 PM	7	218	1	0	226	2	0	1	0	3	4	201	21	0	226	16	0	6	0	22	477
04:45 PM	6	216	0	0	222	0	1	2	0	3	1	221	28	0	250	13	0	1	0	14	489
Total	19	911	3	0	933	4	1	5	1	11	10	837	86	0	933	55	1	10	0	66	1943
05:00 PM	3	238	1	0	242	3	0	0	0	3	2	232	15	0	249	18	0	3	0	21	515
05:15 PM	6	184	0	0	190	3	0	1	0	4	1	232	21	0	254	30	1	2	0	33	481
05:30 PM	2	190	0	0	192	2	0	1	1	4	2	235	18	0	255	13	0	4	0	17	468
05:45 PM	7	203	0	0	210	1	0	0	0	1	1	219	17	0	237	18	0	0	0	18	466
Total	18	815	1	0	834	9	0	2	1	12	6	918	71	0	995	79	1	9	0	89	1930
Grand Total	71	3099	7	0	3177	19	4	11	12	46	23	3020	278	0	3321	209	4	30	0	243	6787
Apprch %	2.2	97.5	0.2	0		41.3	8.7	23.9	26.1		0.7	90.9	8.4	0		86	1.6	12.3	0		
Total %	1	45.7	0.1	0	46.8	0.3	0.1	0.2	0.2	0.7	0.3	44.5	4.1	0	48.9	3.1	0.1	0.4	0	3.6	
vehicles & peds	71	3087	7	0	3165	19	4	11	11	45	23	3017	278	0	3318	209	4	30	0	243	6771
% vehicles & peds	100	99.6	100	0	99.6	100	100	100	91.7	97.8	100	99.9	100	0	99.9	100	100	100	0	100	99.8
heavy trucks & bikes	0	12	0	0	12	0	0	0	1	1	0	3	0	0	3	0	0	0	0	0	16
% heavy trucks & bikes	0	0.4	0	0	0.4	0	0	0	8.3	2.2	0	0.1	0	0	0.1	0	0	0	0	0	0.2

TH 5 & Snelling/Springfield  
7-9am & 4-6pm  
vehicles, heavy trucks, bikes, peds  
day 1

File Name : site 8-TH 5 & Snelling-day 1  
Site Code : 8  
Start Date : 3/22/2022  
Page No : 2

Start Time	TH 5 From North					Springfield From East					TH 5 From South					Snelling Ave From West					Int. Total
	Rig ht	Thr u	Left	bike s	App. Total	Rig ht	Thr u	Left	bike s	App. Total	Rig ht	Thr u	Left	bike s	App. Total	Rig ht	Thr u	Left	bike s	App. Total	
Peak Hour Analysis From 07:00 AM to 11:45 AM - Peak 1 of 1																					
Peak Hour for Entire Intersection Begins at 07:30 AM																					
07:30 AM	2	187	0	0	189	0	0	0	0	0	1	181	10	0	192	6	1	2	0	9	390
07:45 AM	3	193	1	0	197	0	1	0	0	1	0	188	20	0	208	6	1	1	0	8	414
08:00 AM	5	162	0	0	167	3	1	0	2	6	0	134	22	0	156	10	0	0	0	10	339
08:15 AM	10	171	1	0	182	0	0	1	0	1	2	161	23	0	186	15	0	4	0	19	388
Total Volume	20	713	2	0	735	3	2	1	2	8	3	664	75	0	742	37	2	7	0	46	1531
% App. Total	2.7	97	0.3	0		37.5	25	12.5	25		0.4	89.5	10.1	0		80.4	4.3	15.2	0		
PHF	.500	.924	.500	.000	.933	.250	.500	.250	.250	.333	.375	.883	.815	.000	.892	.617	.500	.438	.000	.605	.925



TH 5 & Snelling/Springfield  
7-9am & 4-6pm  
vehicles, heavy trucks, bikes, peds  
day 1

File Name : site 8-TH 5 & Snelling-day 1  
Site Code : 8  
Start Date : 3/22/2022  
Page No : 3

Start Time	TH 5 From North					Springfield From East					TH 5 From South					Snelling Ave From West					Int. Total
	Rig ht	Thr u	Left	bike s	App. Total	Rig ht	Thr u	Left	bike s	App. Total	Right	Thr u	Left	bikes	App. Total	Right	Thr u	Left	bikes	App. Total	
Peak Hour Analysis From 12:00 PM to 05:45 PM - Peak 1 of 1																					
Peak Hour for Entire Intersection Begins at 04:15 PM																					
04:15 PM	2	261	1	0	264	0	0	1	1	2	2	197	18	0	217	11	0	1	0	12	495
04:30 PM	7	218	1	0	226	2	0	1	0	3	4	201	21	0	226	16	0	6	0	22	477
04:45 PM	6	216	0	0	222	0	1	2	0	3	1	221	28	0	250	13	0	1	0	14	489
05:00 PM	3	238	1	0	242	3	0	0	0	3	2	232	15	0	249	18	0	3	0	21	515
Total Volume	18	933	3	0	954	5	1	4	1	11	9	851	82	0	942	58	0	11	0	69	1976
% App. Total	1.9	97.8	0.3	0		45.5	9.1	36.4	9.1		1	90.3	8.7	0		84.1	0	15.9	0		
PHF	.643	.894	.750	.000	.903	.417	.250	.500	.250	.917	.563	.917	.732	.000	.942	.806	.000	.458	.000	.784	.959

