



701 Xenia Ave S, Suite 300
 Minneapolis, MN 55416

TH 5 & Otto Ave
 7-9am & 4-6pm
 vehicles, heavy trucks, peds
 day 1

File Name : site 23-TH 5 & Otto Ave-day 1
 Site Code : 23
 Start Date : 3/29/2022
 Page No : 1

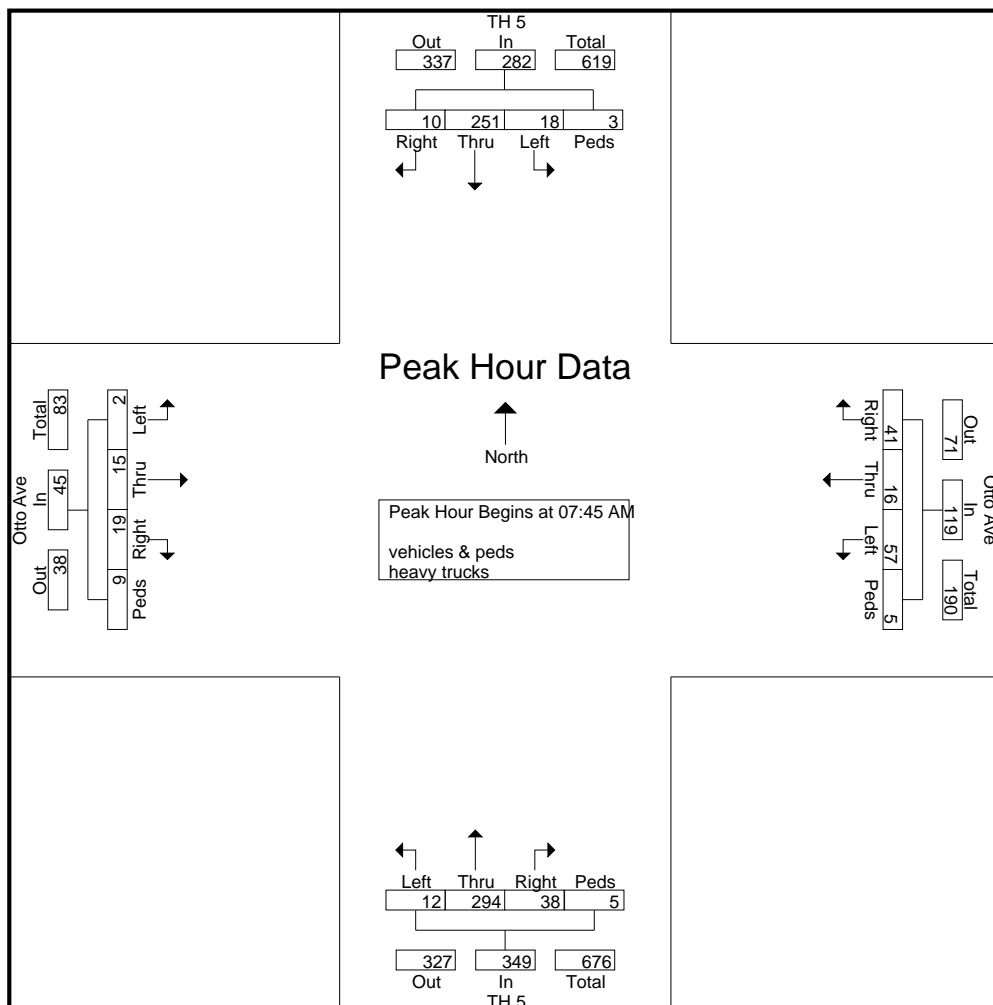
Groups Printed- vehicles & peds - heavy trucks

Start Time	TH 5 From North					Otto Ave From East					TH 5 From South					Otto Ave From West					Int. Total	
	Right	Thru	Left	Peds	App. Total	Right	Thru	Left	Peds	App. Total	Right	Thru	Left	Peds	App. Total	Right	Thru	Left	Peds	App. Total		
07:00 AM	3	35	1	0	39	4	0	2	1	7	2	33	0	1	36	4	0	0	1	5	5	87
07:15 AM	0	47	0	2	49	1	2	2	1	6	3	51	0	0	54	4	0	2	3	9	9	118
07:30 AM	2	46	4	0	52	3	2	2	0	7	3	55	1	0	59	3	0	0	0	3	3	121
07:45 AM	2	66	2	1	71	6	3	5	1	15	2	63	3	0	68	6	1	0	0	7	7	161
Total	7	194	7	3	211	14	7	11	3	35	10	202	4	1	217	17	1	2	4	24	24	487
08:00 AM	1	50	4	1	56	4	2	2	1	9	11	75	2	2	90	5	2	1	3	11	11	166
08:15 AM	6	73	7	1	87	8	6	33	0	47	21	73	3	2	99	7	8	1	3	19	19	252
08:30 AM	1	62	5	0	68	23	5	17	3	48	4	83	4	1	92	1	4	0	3	8	8	216
08:45 AM	1	54	1	1	57	8	5	3	1	17	6	64	3	2	75	4	0	2	1	7	7	156
Total	9	239	17	3	268	43	18	55	5	121	42	295	12	7	356	17	14	4	10	45	45	790
04:00 PM	6	79	3	0	88	9	8	17	1	35	13	86	7	2	108	4	5	2	0	11	11	242
04:15 PM	4	73	7	0	84	5	1	6	1	13	13	92	5	1	111	6	4	1	2	13	13	221
04:30 PM	4	74	4	1	83	8	4	7	2	21	6	85	3	1	95	4	1	5	1	11	11	210
04:45 PM	1	88	9	0	98	2	3	7	0	12	12	102	0	2	116	5	4	3	3	15	15	241
Total	15	314	23	1	353	24	16	37	4	81	44	365	15	6	430	19	14	11	6	50	50	914
05:00 PM	5	76	6	2	89	12	3	5	7	27	10	124	6	1	141	4	6	0	2	12	12	269
05:15 PM	5	77	11	3	96	7	5	8	2	22	15	128	3	2	148	2	4	4	1	11	11	277
05:30 PM	1	64	10	3	78	13	5	5	5	28	12	105	5	0	122	2	1	5	1	9	9	237
05:45 PM	1	65	5	0	71	6	4	5	2	17	11	98	7	0	116	5	0	0	0	5	5	209
Total	12	282	32	8	334	38	17	23	16	94	48	455	21	3	527	13	11	9	4	37	37	992
Grand Total	43	1029	79	15	1166	119	58	126	28	331	144	1317	52	17	1530	66	40	26	24	156	156	3183
Apprch %	3.7	88.3	6.8	1.3		36	17.5	38.1	8.5		9.4	86.1	3.4	1.1		42.3	25.6	16.7	15.4			
Total %	1.4	32.3	2.5	0.5	36.6	3.7	1.8	4	0.9	10.4	4.5	41.4	1.6	0.5	48.1	2.1	1.3	0.8	0.8	4.9		
vehicles & peds	43	1025	79	15	1162	119	58	126	28	331	144	1308	52	16	1520	66	40	26	24	156	156	3169
% vehicles & peds	100	99.6	100	100	99.7	100	100	100	100	100	100	99.3	100	94.1	99.3	100	100	100	100	100	100	99.6
heavy trucks	0	4	0	0	4	0	0	0	0	0	0	9	0	1	10	0	0	0	0	0	0	14
% heavy trucks	0	0.4	0	0	0.3	0	0	0	0	0	0	0.7	0	5.9	0.7	0	0	0	0	0	0	0.4

TH 5 & Otto Ave
 7-9am & 4-6pm
 vehicles, heavy trucks, peds
 day 1

File Name : site 23-TH 5 & Otto Ave-day 1
 Site Code : 23
 Start Date : 3/29/2022
 Page No : 2

Start Time	TH 5 From North					Otto Ave From East					TH 5 From South					Otto Ave From West					Int. Total
	Right	Thru	Left	Peds	App. Total	Right	Thru	Left	Peds	App. Total	Right	Thru	Left	Peds	App. Total	Right	Thru	Left	Peds	App. Total	
Peak Hour Analysis From 07:00 AM to 11:45 AM - Peak 1 of 1																					
Peak Hour for Entire Intersection Begins at 07:45 AM																					
07:45 AM	2	66	2	1	71	6	3	5	1	15	2	63	3	0	68	6	1	0	0	7	161
08:00 AM	1	50	4	1	56	4	2	2	1	9	11	75	2	2	90	5	2	1	3	11	166
08:15 AM	6	73	7	1	87	8	6	33	0	47	21	73	3	2	99	7	8	1	3	19	252
08:30 AM	1	62	5	0	68	23	5	17	3	48	4	83	4	1	92	1	4	0	3	8	216
Total Volume	10	251	18	3	282	41	16	57	5	119	38	294	12	5	349	19	15	2	9	45	795
% App. Total	3.5	89	6.4	1.1		34.5	13.4	47.9	4.2		10.9	84.2	3.4	1.4		42.2	33.3	4.4	20		
PHF	.417	.860	.643	.750	.810	.446	.667	.432	.417	.620	.452	.886	.750	.625	.881	.679	.469	.500	.750	.592	.789





701 Xenia Ave S, Suite 300
 Minneapolis, MN 55416

TH 5 & Otto Ave
 7-9am & 4-6pm
 vehicles, heavy trucks, peds
 day 1

File Name : site 23-TH 5 & Otto Ave-day 1
 Site Code : 23
 Start Date : 3/29/2022
 Page No : 3

Start Time	TH 5 From North					Otto Ave From East					TH 5 From South					Otto Ave From West					Int. Total
	Rig ht	Thr u	Left	Ped s	App. Total	Rig ht	Thr u	Left	Ped s	App. Total	Right	Thr u	Left	Peds	App. Total	Right	Thr u	Left	Peds	App. Total	
Peak Hour Analysis From 12:00 PM to 05:45 PM - Peak 1 of 1																					
Peak Hour for Entire Intersection Begins at 04:45 PM																					
04:45 PM	1	88	9	0	98	2	3	7	0	12	12	102	0	2	116	5	4	3	3	15	241
05:00 PM	5	76	6	2	89	12	3	5	7	27	10	124	6	1	141	4	6	0	2	12	269
05:15 PM	5	77	11	3	96	7	5	8	2	22	15	128	3	2	148	2	4	4	1	11	277
05:30 PM	1	64	10	3	78	13	5	5	5	28	12	105	5	0	122	2	1	5	1	9	237
Total Volume	12	305	36	8	361	34	16	25	14	89	49	459	14	5	527	13	15	12	7	47	1024
% App. Total	3.3	84.5	10	2.2		38.2	18	28.1	15.7		9.3	87.1	2.7	0.9		27.7	31.9	25.5	14.9		
PHF	.600	.866	.818	.667	.921	.654	.800	.781	.500	.795	.817	.896	.583	.625	.890	.650	.625	.600	.583	.783	.924

