



701 Xenia Ave S, Suite 300  
 Minneapolis, MN 55416

TH 5 & Watson Ave  
 7-9am & 4-6pm  
 vehicles, heavy trucks, bikes, peds  
 day 1

File Name : site 30-TH 5 & Watson Ave-day 1  
 Site Code : 30  
 Start Date : 3/22/2022  
 Page No : 1

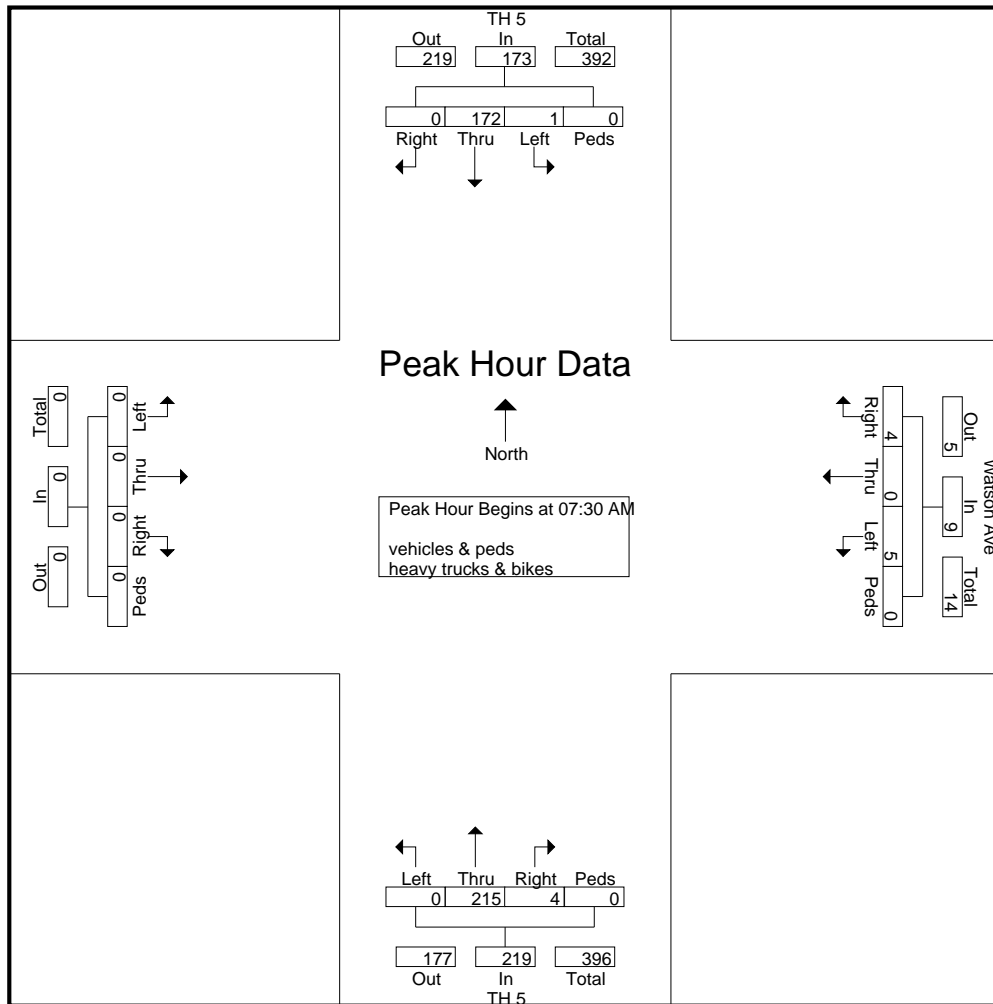
Groups Printed- vehicles & peds - heavy trucks & bikes

Start Time	TH 5 From North					Watson Ave From East					TH 5 From South					From West					Int. Total
	Right	Thru	Left	Peds	App. Total	Right	Thru	Left	Peds	App. Total	Right	Thru	Left	Peds	App. Total	Right	Thru	Left	Peds	App. Total	
07:00 AM	0	29	0	0	29	1	0	1	0	2	1	37	0	0	38	0	0	0	0	0	69
07:15 AM	0	20	1	0	21	0	0	0	1	1	1	38	0	1	40	0	0	0	0	0	62
07:30 AM	0	37	0	0	37	3	0	2	0	5	0	50	0	0	50	0	0	0	0	0	92
07:45 AM	0	39	1	0	40	0	0	1	0	1	3	63	0	0	66	0	0	0	0	0	107
Total	0	125	2	0	127	4	0	4	1	9	5	188	0	1	194	0	0	0	0	0	330
08:00 AM	0	42	0	0	42	1	0	2	0	3	0	43	0	0	43	0	0	0	0	0	88
08:15 AM	0	54	0	0	54	0	0	0	0	0	1	59	0	0	60	0	0	0	0	0	114
08:30 AM	0	41	0	0	41	0	0	1	1	2	3	42	0	1	46	0	0	0	0	0	89
08:45 AM	0	44	0	0	44	2	0	1	0	3	3	60	0	0	63	0	0	0	0	0	110
Total	0	181	0	0	181	3	0	4	1	8	7	204	0	1	212	0	0	0	0	0	401
04:00 PM	0	78	1	2	81	0	0	0	1	1	1	86	0	2	89	0	0	0	0	0	171
04:15 PM	0	59	0	0	59	0	0	0	0	0	0	75	0	0	75	0	0	0	0	0	134
04:30 PM	0	88	1	0	89	1	0	2	1	4	1	75	0	0	76	0	0	0	0	0	169
04:45 PM	0	88	0	1	89	0	0	1	0	1	5	86	0	1	92	0	0	0	0	0	182
Total	0	313	2	3	318	1	0	3	2	6	7	322	0	3	332	0	0	0	0	0	656
05:00 PM	0	79	2	1	82	0	0	0	0	0	2	87	0	3	92	0	0	0	0	0	174
05:15 PM	0	76	1	1	78	0	0	0	0	0	0	93	0	2	95	0	0	0	0	0	173
05:30 PM	0	60	3	0	63	3	0	1	0	4	2	88	0	1	91	0	0	0	0	0	158
05:45 PM	0	61	0	0	61	1	0	0	1	2	3	92	0	1	96	0	0	0	0	0	159
Total	0	276	6	2	284	4	0	1	1	6	7	360	0	7	374	0	0	0	0	0	664
Grand Total	0	895	10	5	910	12	0	12	5	29	26	1074	0	12	1112	0	0	0	0	0	2051
Apprch %	0	98.4	1.1	0.5		41.4	0	41.4	17.2		2.3	96.6	0	1.1		0	0	0	0		
Total %	0	43.6	0.5	0.2	44.4	0.6	0	0.6	0.2	1.4	1.3	52.4	0	0.6	54.2	0	0	0	0	0	
vehicles & peds	0	888	10	5	903	12	0	12	5	29	26	1069	0	12	1107	0	0	0	0	0	2039
% vehicles & peds	0	99.2	100	100	99.2	100	0	100	100	100	100	99.5	0	100	99.6	0	0	0	0	0	99.4
heavy trucks & bikes	0	7	0	0	7	0	0	0	0	0	0	5	0	0	5	0	0	0	0	0	12
% heavy trucks & bikes	0	0.8	0	0	0.8	0	0	0	0	0	0	0.5	0	0	0.4	0	0	0	0	0	0.6

TH 5 & Watson Ave  
 7-9am & 4-6pm  
 vehicles, heavy trucks, bikes, peds  
 day 1

File Name : site 30-TH 5 & Watson Ave-day 1  
 Site Code : 30  
 Start Date : 3/22/2022  
 Page No : 2

Start Time	TH 5 From North					Watson Ave From East					TH 5 From South					From West					Int. Total
	Rig ht	Thr u	Left	Ped s	App. Total	Rig ht	Thr u	Left	Ped s	App. Total	Rig ht	Thr u	Left	Ped s	App. Total	Rig ht	Thr u	Left	Ped s	App. Total	
Peak Hour Analysis From 07:00 AM to 11:45 AM - Peak 1 of 1																					
Peak Hour for Entire Intersection Begins at 07:30 AM																					
07:30 AM	0	37	0	0	37	3	0	2	0	5	0	50	0	0	50	0	0	0	0	0	92
07:45 AM	0	39	1	0	40	0	0	1	0	1	3	63	0	0	66	0	0	0	0	0	107
08:00 AM	0	42	0	0	42	1	0	2	0	3	0	43	0	0	43	0	0	0	0	0	88
08:15 AM	0	54	0	0	54	0	0	0	0	0	1	59	0	0	60	0	0	0	0	0	114
Total Volume	0	172	1	0	173	4	0	5	0	9	4	215	0	0	219	0	0	0	0	0	401
% App. Total	0	99.4	0.6	0		44.4	0	55.6	0		1.8	98.2	0	0		0	0	0	0		
PHF	.000	.796	.250	.000	.801	.333	.000	.625	.000	.450	.333	.853	.000	.000	.830	.000	.000	.000	.000	.000	.879



TH 5 & Watson Ave  
7-9am & 4-6pm  
vehicles, heavy trucks, bikes, peds  
day 1

File Name : site 30-TH 5 & Watson Ave-day 1  
Site Code : 30  
Start Date : 3/22/2022  
Page No : 3

Start Time	TH 5 From North					Watson Ave From East					TH 5 From South					From West					Int. Total
	Rig ht	Thr u	Left	Ped s	App. Total	Rig ht	Thr u	Left	Ped s	App. Total	Right	Thr u	Left	Peds	App. Total	Right	Thr u	Left	Peds	App. Total	
Peak Hour Analysis From 12:00 PM to 05:45 PM - Peak 1 of 1																					
Peak Hour for Entire Intersection Begins at 04:30 PM																					
04:30 PM	0	88	1	0	89	1	0	2	1	4	1	75	0	0	76	0	0	0	0	0	169
04:45 PM	0	88	0	1	89	0	0	1	0	1	5	86	0	1	92	0	0	0	0	0	182
05:00 PM	0	79	2	1	82	0	0	0	0	0	2	87	0	3	92	0	0	0	0	0	174
05:15 PM	0	76	1	1	78	0	0	0	0	0	0	93	0	2	95	0	0	0	0	0	173
Total Volume	0	331	4	3	338	1	0	3	1	5	8	341	0	6	355	0	0	0	0	0	698
% App. Total	0	97.9	1.2	0.9		20	0	60	20		2.3	96.1	0	1.7		0	0	0	0		
PHF	.000	.940	.500	.750	.949	.250	.000	.375	.250	.313	.400	.917	.000	.500	.934	.000	.000	.000	.000	.000	.959

