



701 Xenia Ave S, Suite 300  
 Minneapolis, MN 55416

TH 5 & Randolph Ave & Osceola Ave  
 7-9am & 4-6pm  
 vehicles, heavy trucks, peds  
 day 1

File Name : Site 33 - TH 5 & Randolph & Osceola-day 1  
 Site Code : 33  
 Start Date : 4/12/2022  
 Page No : 1

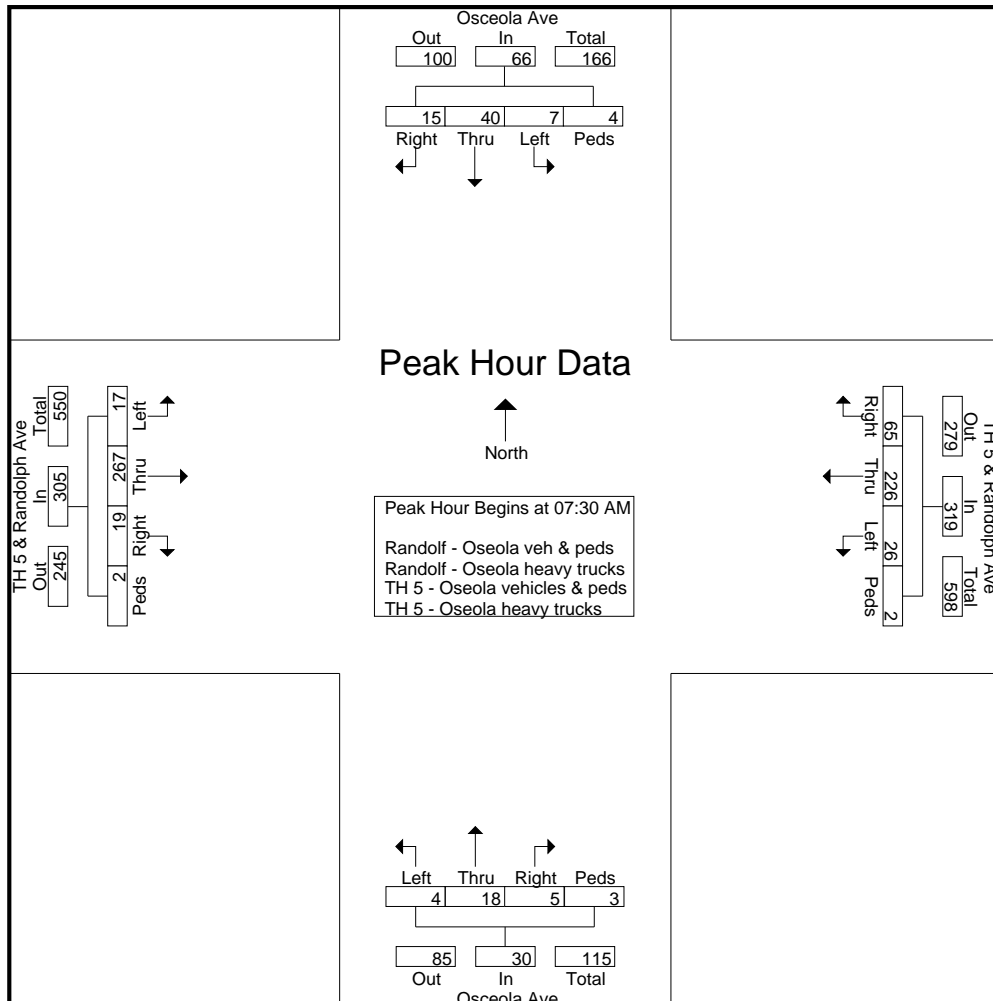
Groups Printed- Oseola veh & peds - Oseola heavy trucks - Oseola vehicles & peds - Oseola heavy trucks

Start Time	Osceola Ave From North					TH 5 & Randolph Ave From East					Osceola Ave From South					TH 5 & Randolph Ave From West					Int. Total
	Right	Thru	Left	Peds	App. Total	Right	Thru	Left	Peds	App. Total	Right	Thru	Left	Peds	App. Total	Right	Thru	Left	Peds	App. Total	
07:00 AM	4	2	4	3	13	9	33	3	0	45	0	1	0	0	1	1	45	3	2	51	110
07:15 AM	5	7	5	0	17	7	28	2	0	37	1	2	1	0	4	1	65	1	0	67	125
07:30 AM	3	10	5	2	20	12	53	4	0	69	0	7	2	2	11	3	58	5	1	67	167
07:45 AM	5	13	0	1	19	20	65	7	0	92	2	3	1	1	7	6	79	4	1	90	208
Total	17	32	14	6	69	48	179	16	0	243	3	13	4	3	23	11	247	13	4	275	610
08:00 AM	5	9	1	1	16	16	57	6	0	79	1	2	1	0	4	3	65	2	0	70	169
08:15 AM	2	8	1	0	11	17	51	9	2	79	2	6	0	0	8	7	65	6	0	78	176
08:30 AM	2	3	1	1	7	21	52	4	0	77	0	2	1	2	5	4	71	3	0	78	167
08:45 AM	9	12	6	2	29	13	45	17	1	76	3	4	1	2	10	7	69	2	0	78	193
Total	18	32	9	4	63	67	205	36	3	311	6	14	3	4	27	21	270	13	0	304	705
04:00 PM	4	6	5	0	15	26	80	4	0	110	1	7	2	2	12	4	99	9	0	112	249
04:15 PM	4	3	1	1	9	24	70	9	1	104	2	3	4	1	10	0	108	11	0	119	242
04:30 PM	10	3	1	0	14	24	91	10	2	127	5	4	2	1	12	9	111	7	0	127	280
04:45 PM	4	3	4	0	11	28	96	12	1	137	2	10	3	1	16	5	104	9	0	118	282
Total	22	15	11	1	49	102	337	35	4	478	10	24	11	5	50	18	422	36	0	476	1053
05:00 PM	9	7	1	1	18	23	89	4	0	116	2	11	5	1	19	7	100	15	1	123	276
05:15 PM	6	3	4	0	13	33	85	5	0	123	2	5	3	1	11	7	100	8	0	115	262
05:30 PM	9	5	1	0	15	20	70	6	0	96	3	8	4	0	15	9	126	6	1	142	268
05:45 PM	4	3	1	1	9	24	62	6	0	92	2	0	0	0	2	3	96	21	0	120	223
Total	28	18	7	2	55	100	306	21	0	427	9	24	12	2	47	26	422	50	2	500	1029
Grand Total	85	97	41	13	236	317	1027	108	7	1459	28	75	30	14	147	76	1361	112	6	1555	3397
Apprch %	36	41.1	17.4	5.5		21.7	70.4	7.4	0.5		19	51	20.4	9.5		4.9	87.5	7.2	0.4		
Total %	2.5	2.9	1.2	0.4	6.9	9.3	30.2	3.2	0.2	42.9	0.8	2.2	0.9	0.4	4.3	2.2	40.1	3.3	0.2	45.8	
Randolf - Oseola veh & peds	11	95	30	11	147	63	296	2	7	368	4	73	16	13	106	37	450	18	0	505	1126
% Randolf - Oseola veh & peds	12.9	97.9	73.2	84.6	62.3	19.9	28.8	1.9	100	25.2	14.3	97.3	53.3	92.9	72.1	48.7	33.1	16.1	0	32.5	33.1
Randolf - Oseola heavy trucks	0	0	0	1	1	0	2	0	0	2	0	0	0	1	1	0	2	0	0	2	6
% Randolf - Oseola heavy trucks	0	0	0	7.7	0.4	0	0.2	0	0	0.1	0	0	0	7.1	0.7	0	0.1	0	0	0.1	0.2
TH 5 - Oseola vehicles & peds	74	2	11	1	88	253	722	103	0	1078	24	2	14	0	40	39	905	94	6	1044	2250
% TH 5 - Oseola vehicles & peds	87.1	2.1	26.8	7.7	37.3	79.8	70.3	95.4	0	73.9	85.7	2.7	46.7	0	27.2	51.3	66.5	83.9	100	67.1	66.2
TH 5 - Oseola heavy trucks	0	0	0	0	0	1	7	3	0	11	0	0	0	0	0	0	4	0	0	4	15
% TH 5 - Oseola heavy trucks	0	0	0	0	0	0.3	0.7	2.8	0	0.8	0	0	0	0	0	0	0.3	0	0	0.3	0.4

TH 5 & Randolph Ave & Osceola Ave  
 7-9am & 4-6pm  
 vehicles, heavy trucks, peds  
 day 1

File Name : Site 33 - TH 5 & Randolph & Osceola-day 1  
 Site Code : 33  
 Start Date : 4/12/2022  
 Page No : 2

Start Time	Osceola Ave From North					TH 5 & Randolph Ave From East					Osceola Ave From South					TH 5 & Randolph Ave From West					Int. Total
	Right	Thru	Left	Peds	App. Total	Right	Thru	Left	Peds	App. Total	Right	Thru	Left	Peds	App. Total	Right	Thru	Left	Peds	App. Total	
Peak Hour Analysis From 07:00 AM to 11:45 AM - Peak 1 of 1																					
Peak Hour for Entire Intersection Begins at 07:30 AM																					
07:30 AM	3	10	5	2	20	12	53	4	0	69	0	7	2	2	11	3	58	5	1	67	167
07:45 AM	5	13	0	1	19	20	65	7	0	92	2	3	1	1	7	6	79	4	1	90	208
08:00 AM	5	9	1	1	16	16	57	6	0	79	1	2	1	0	4	3	65	2	0	70	169
08:15 AM	2	8	1	0	11	17	51	9	2	79	2	6	0	0	8	7	65	6	0	78	176
Total Volume	15	40	7	4	66	65	226	26	2	319	5	18	4	3	30	19	267	17	2	305	720
% App. Total	22.7	60.6	10.6	6.1		20.4	70.8	8.2	0.6		16.7	60	13.3	10		6.2	87.5	5.6	0.7		
PHF	.750	.769	.350	.500	.825	.813	.869	.722	.250	.867	.625	.643	.500	.375	.682	.679	.845	.708	.500	.847	.865



TH 5 & Randolph Ave & Osceola Ave  
7-9am & 4-6pm  
vehicles, heavy trucks, peds  
day 1

File Name : Site 33 - TH 5 & Randolph & Osceola-day 1  
Site Code : 33  
Start Date : 4/12/2022  
Page No : 3

Start Time	Osceola Ave From North					TH 5 & Randolph Ave From East					Osceola Ave From South					TH 5 & Randolph Ave From West					Int. Total
	Rig ht	Thr u	Left	Ped s	App. Total	Rig ht	Thr u	Left	Ped s	App. Total	Right	Thr u	Left	Peds	App. Total	Right	Thr u	Left	Peds	App. Total	
Peak Hour Analysis From 12:00 PM to 05:45 PM - Peak 1 of 1																					
Peak Hour for Entire Intersection Begins at 04:30 PM																					
04:30 PM	10	3	1	0	14	24	91	10	2	127	5	4	2	1	12	9	111	7	0	127	280
04:45 PM	4	3	4	0	11	28	96	12	1	137	2	10	3	1	16	5	104	9	0	118	282
05:00 PM	9	7	1	1	18	23	89	4	0	116	2	11	5	1	19	7	100	15	1	123	276
05:15 PM	6	3	4	0	13	33	85	5	0	123	2	5	3	1	11	7	100	8	0	115	262
Total Volume	29	16	10	1	56	108	361	31	3	503	11	30	13	4	58	28	415	39	1	483	1100
% App. Total	51.8	28.6	17.9	1.8		21.5	71.8	6.2	0.6		19	51.7	22.4	6.9		5.8	85.9	8.1	0.2		
PHF	.725	.571	.625	.250	.778	.818	.940	.646	.375	.918	.550	.682	.650	1.00	.763	.778	.935	.650	.250	.951	.975

