



701 Xenia Ave S, Suite 300
 Minneapolis, MN 55416

TH 5 & James Ave
 7-9am & 4-6pm
 vehicles, heavy trucks, peds
 day 2

File Name : site 34-TH 5 & James Ave-day 2
 Site Code : 34
 Start Date : 3/31/2022
 Page No : 1

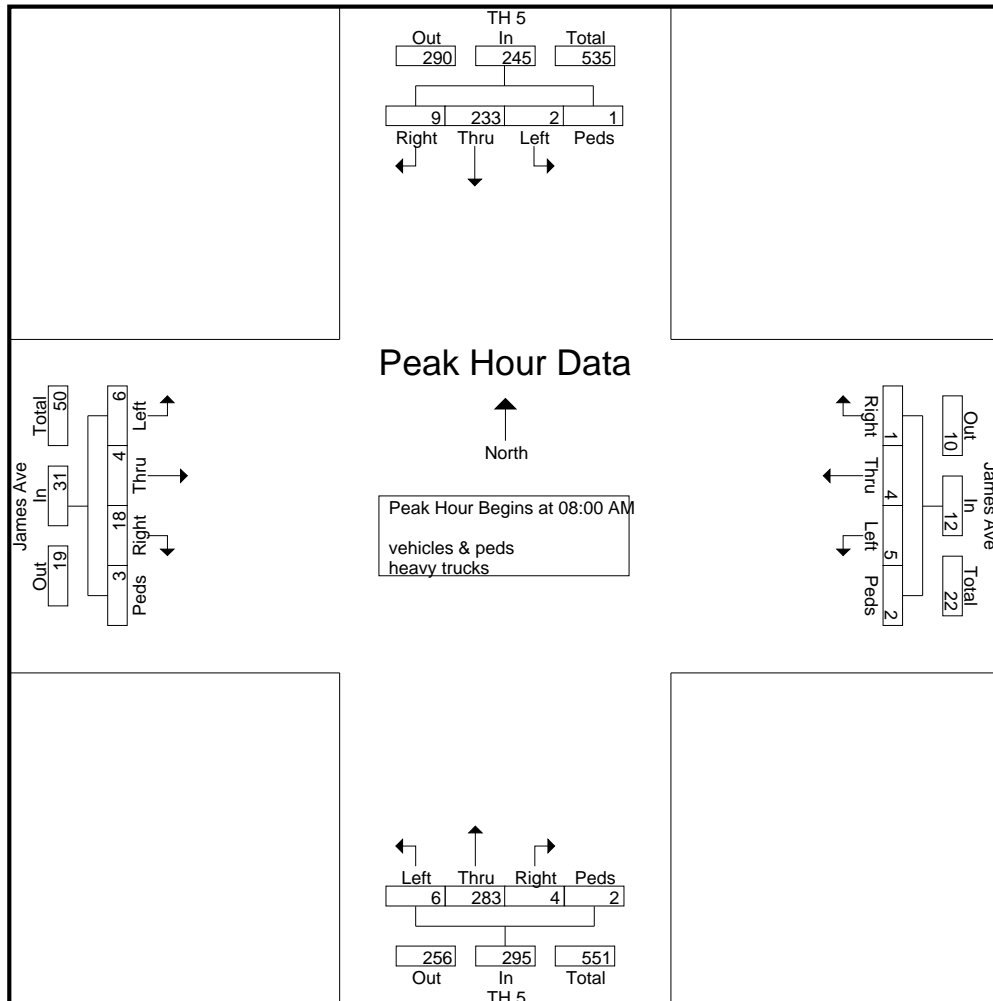
Groups Printed- vehicles & peds - heavy trucks

Start Time	TH 5 From North					James Ave From East					TH 5 From South					James Ave From West					Int. Total
	Right	Thru	Left	Peds	App. Total	Right	Thru	Left	Peds	App. Total	Right	Thru	Left	Peds	App. Total	Right	Thru	Left	Peds	App. Total	
07:00 AM	0	29	0	0	29	0	0	1	1	2	1	35	1	1	38	0	0	0	1	1	70
07:15 AM	0	41	0	0	41	0	0	2	0	2	0	46	3	0	49	2	0	0	0	2	94
07:30 AM	0	45	0	0	45	0	0	0	0	0	0	58	1	1	60	3	0	0	1	4	109
07:45 AM	5	48	0	0	53	0	0	3	0	3	1	65	0	0	66	2	1	2	2	7	129
Total	5	163	0	0	168	0	0	6	1	7	2	204	5	2	213	7	1	2	4	14	402
08:00 AM	3	60	0	0	63	1	0	2	1	4	0	64	0	0	64	3	1	0	1	5	136
08:15 AM	2	47	1	0	50	0	1	1	0	2	1	74	0	2	77	1	0	1	0	2	131
08:30 AM	2	67	0	1	70	0	2	1	1	4	2	82	5	0	89	13	2	3	1	19	182
08:45 AM	2	59	1	0	62	0	1	1	0	2	1	63	1	0	65	1	1	2	1	5	134
Total	9	233	2	1	245	1	4	5	2	12	4	283	6	2	295	18	4	6	3	31	583
04:00 PM	6	89	1	0	96	1	2	1	1	5	3	105	1	0	109	0	1	2	4	7	217
04:15 PM	6	84	2	1	93	5	0	1	0	6	0	112	3	0	115	3	0	1	2	6	220
04:30 PM	6	100	3	5	114	1	3	2	2	8	4	117	4	6	131	1	1	1	4	7	260
04:45 PM	8	89	2	1	100	1	0	4	0	5	1	114	2	1	118	6	1	1	3	11	234
Total	26	362	8	7	403	8	5	8	3	24	8	448	10	7	473	10	3	5	13	31	931
05:00 PM	2	90	2	6	100	0	4	4	3	11	4	114	8	0	126	4	0	5	3	12	249
05:15 PM	5	85	3	2	95	2	1	1	0	4	1	105	2	0	108	5	0	2	3	10	217
05:30 PM	4	75	1	2	82	4	0	2	2	8	4	104	3	2	113	4	0	3	3	10	213
05:45 PM	9	75	2	5	91	1	2	2	1	6	1	117	2	5	125	4	0	4	6	14	236
Total	20	325	8	15	368	7	7	9	6	29	10	440	15	7	472	17	0	14	15	46	915
Grand Total	60	1083	18	23	1184	16	16	28	12	72	24	1375	36	18	1453	52	8	27	35	122	2831
Apprch %	5.1	91.5	1.5	1.9		22.2	22.2	38.9	16.7		1.7	94.6	2.5	1.2		42.6	6.6	22.1	28.7		
Total %	2.1	38.3	0.6	0.8	41.8	0.6	0.6	1	0.4	2.5	0.8	48.6	1.3	0.6	51.3	1.8	0.3	1	1.2	4.3	
vehicles & peds	60	1081	18	22	1181	16	16	28	11	71	24	1368	36	18	1446	52	8	27	33	120	2818
% vehicles & peds	100	99.8	100	95.7	99.7	100	100	100	91.7	98.6	100	99.5	100	100	99.5	100	100	100	94.3	98.4	99.5
heavy trucks	0	2	0	1	3	0	0	0	1	1	0	7	0	0	7	0	0	0	2	2	13
% heavy trucks	0	0.2	0	4.3	0.3	0	0	0	8.3	1.4	0	0.5	0	0	0.5	0	0	0	5.7	1.6	0.5

TH 5 & James Ave
 7-9am & 4-6pm
 vehicles, heavy trucks, peds
 day 2

File Name : site 34-TH 5 & James Ave-day 2
 Site Code : 34
 Start Date : 3/31/2022
 Page No : 2

Start Time	TH 5 From North					James Ave From East					TH 5 From South					James Ave From West					Int. Total
	Right	Thru	Left	Peds	App. Total	Right	Thru	Left	Peds	App. Total	Right	Thru	Left	Peds	App. Total	Right	Thru	Left	Peds	App. Total	
Peak Hour Analysis From 07:00 AM to 11:45 AM - Peak 1 of 1																					
Peak Hour for Entire Intersection Begins at 08:00 AM																					
08:00 AM	3	60	0	0	63	1	0	2	1	4	0	64	0	0	64	3	1	0	1	5	136
08:15 AM	2	47	1	0	50	0	1	1	0	2	1	74	0	2	77	1	0	1	0	2	131
08:30 AM	2	67	0	1	70	0	2	1	1	4	2	82	5	0	89	13	2	3	1	19	182
08:45 AM	2	59	1	0	62	0	1	1	0	2	1	63	1	0	65	1	1	2	1	5	134
Total Volume	9	233	2	1	245	1	4	5	2	12	4	283	6	2	295	18	4	6	3	31	583
% App. Total	3.7	95.1	0.8	0.4		8.3	33.3	41.7	16.7		1.4	95.9	2	0.7		58.1	12.9	19.4	9.7		
PHF	.750	.869	.500	.250	.875	.250	.500	.625	.500	.750	.500	.863	.300	.250	.829	.346	.500	.500	.750	.408	.801



TH 5 & James Ave
7-9am & 4-6pm
vehicles, heavy trucks, peds
day 2

File Name : site 34-TH 5 & James Ave-day 2
Site Code : 34
Start Date : 3/31/2022
Page No : 3

Start Time	TH 5 From North					James Ave From East					TH 5 From South					James Ave From West					Int. Total
	Rig ht	Thr u	Left	Ped s	App. Total	Rig ht	Thr u	Left	Ped s	App. Total	Right	Thr u	Left	Peds	App. Total	Right	Thr u	Left	Peds	App. Total	
Peak Hour Analysis From 12:00 PM to 05:45 PM - Peak 1 of 1																					
Peak Hour for Entire Intersection Begins at 04:15 PM																					
04:15 PM	6	84	2	1	93	5	0	1	0	6	0	112	3	0	115	3	0	1	2	6	220
04:30 PM	6	100	3	5	114	1	3	2	2	8	4	117	4	6	131	1	1	1	4	7	260
04:45 PM	8	89	2	1	100	1	0	4	0	5	1	114	2	1	118	6	1	1	3	11	234
05:00 PM	2	90	2	6	100	0	4	4	3	11	4	114	8	0	126	4	0	5	3	12	249
Total Volume	22	363	9	13	407	7	7	11	5	30	9	457	17	7	490	14	2	8	12	36	963
% App. Total	5.4	89.2	2.2	3.2		23.3	23.3	36.7	16.7		1.8	93.3	3.5	1.4		38.9	5.6	22.2	33.3		
PHF	.688	.908	.750	.542	.893	.350	.438	.688	.417	.682	.563	.976	.531	.292	.935	.583	.500	.400	.750	.750	.926

