



701 Xenia Ave S, Suite 300
 Minneapolis, MN 55416

TH 5 & Jefferson Ave
 7-9am & 4-6pm
 vehicles, heavy trucks, peds
 day 2

File Name : site 38-TH 5 & Jefferson Ave -day 2
 Site Code : 38
 Start Date : 3/23/2022
 Page No : 1

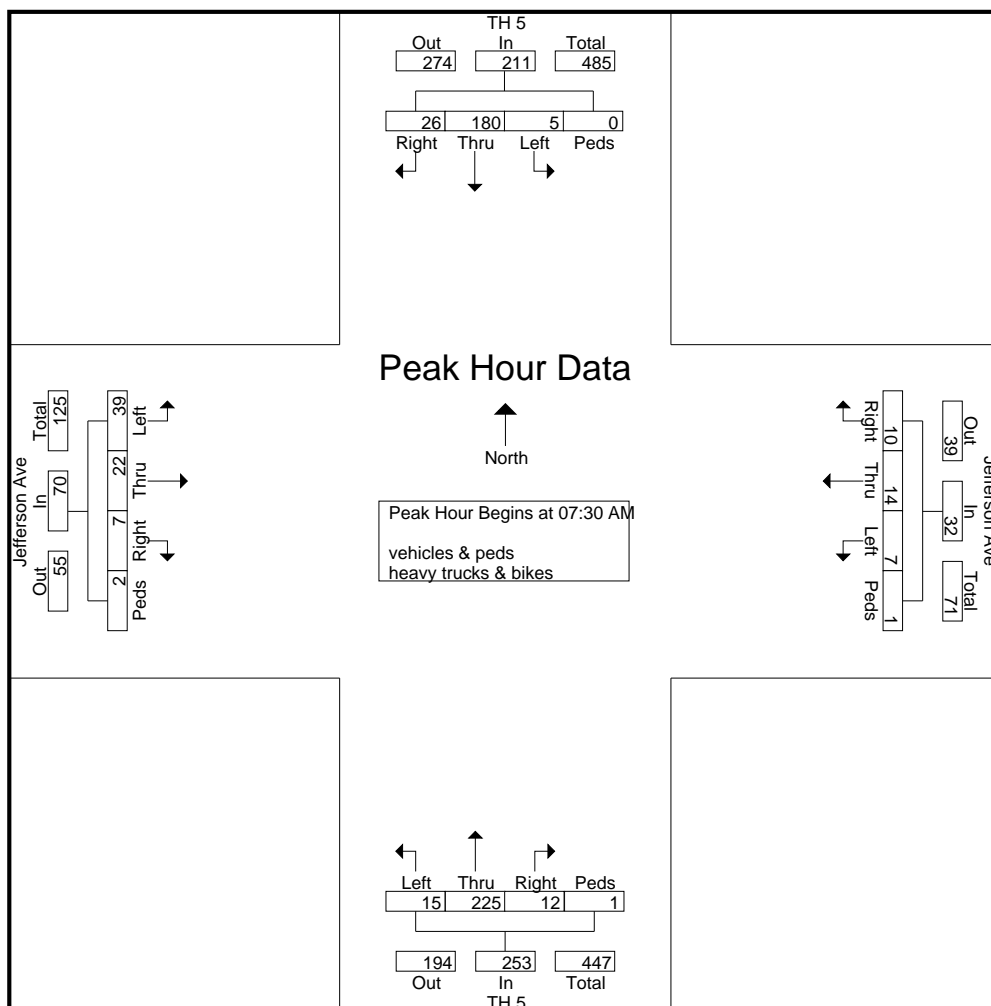
Groups Printed- vehicles & peds - heavy trucks & bikes

Start Time	TH 5 From North					Jefferson Ave From East					TH 5 From South					Jefferson Ave From West					Int. Total
	Right	Thru	Left	Peds	App. Total	Right	Thru	Left	Peds	App. Total	Right	Thru	Left	Peds	App. Total	Right	Thru	Left	Peds	App. Total	
07:00 AM	3	25	1	0	29	1	3	1	0	5	2	32	3	1	38	0	2	6	1	9	81
07:15 AM	7	39	1	0	47	4	7	1	0	12	3	31	4	0	38	1	0	8	0	9	106
07:30 AM	5	47	1	0	53	3	4	0	1	8	2	54	7	0	63	3	7	13	0	23	147
07:45 AM	9	45	3	0	57	3	2	2	0	7	4	68	5	0	77	2	6	11	1	20	161
Total	24	156	6	0	186	11	16	4	1	32	11	185	19	1	216	6	15	38	2	61	495
08:00 AM	1	46	0	0	47	2	5	4	0	11	3	56	3	1	63	0	6	7	0	13	134
08:15 AM	11	42	1	0	54	2	3	1	0	6	3	47	0	0	50	2	3	8	1	14	124
08:30 AM	9	41	2	1	53	3	5	2	0	10	6	46	7	0	59	0	7	9	0	16	138
08:45 AM	6	40	0	0	46	1	3	2	0	6	2	48	2	1	53	0	2	8	0	10	115
Total	27	169	3	1	200	8	16	9	0	33	14	197	12	2	225	2	18	32	1	53	511
04:00 PM	8	95	2	0	105	5	5	2	0	12	4	83	5	0	92	0	5	23	1	29	238
04:15 PM	8	88	3	0	99	3	5	9	2	19	1	100	3	2	106	0	3	19	1	23	247
04:30 PM	9	94	1	0	104	7	4	1	1	13	2	107	8	0	117	1	5	18	0	24	258
04:45 PM	8	101	0	1	110	1	1	1	1	4	2	98	5	0	105	2	2	10	0	14	233
Total	33	378	6	1	418	16	15	13	4	48	9	388	21	2	420	3	15	70	2	90	976
05:00 PM	10	84	2	2	98	0	1	1	1	3	1	99	5	2	107	0	2	11	1	14	222
05:15 PM	12	91	2	0	105	4	5	1	0	10	6	96	5	1	108	3	6	7	1	17	240
05:30 PM	10	74	3	0	87	2	6	0	0	8	2	88	2	1	93	0	5	9	2	16	204
05:45 PM	4	63	1	0	68	5	4	1	0	10	0	96	4	1	101	2	6	10	0	18	197
Total	36	312	8	2	358	11	16	3	1	31	9	379	16	5	409	5	19	37	4	65	863
Grand Total	120	1015	23	4	1162	46	63	29	6	144	43	1149	68	10	1270	16	67	177	9	269	2845
Apprch %	10.3	87.3	2	0.3		31.9	43.8	20.1	4.2		3.4	90.5	5.4	0.8		5.9	24.9	65.8	3.3		
Total %	4.2	35.7	0.8	0.1	40.8	1.6	2.2	1	0.2	5.1	1.5	40.4	2.4	0.4	44.6	0.6	2.4	6.2	0.3	9.5	
vehicles & peds	120	1011	23	3	1157	46	63	29	4	142	43	1144	68	9	1264	16	67	177	8	268	2831
% vehicles & peds	100	99.6	100	75	99.6	100	100	100	66.7	98.6	100	99.6	100	90	99.5	100	100	100	88.9	99.6	99.5
heavy trucks & bikes	0	4	0	1	5	0	0	0	2	2	0	5	0	1	6	0	0	0	1	1	14
% heavy trucks & bikes	0	0.4	0	25	0.4	0	0	0	33.3	1.4	0	0.4	0	10	0.5	0	0	0	11.1	0.4	0.5

TH 5 & Jefferson Ave
7-9am & 4-6pm
vehicles, heavy trucks, peds
day 2

File Name : site 38-TH 5 & Jefferson Ave -day 2
Site Code : 38
Start Date : 3/23/2022
Page No : 2

Start Time	TH 5 From North					Jefferson Ave From East					TH 5 From South					Jefferson Ave From West					Int. Total
	Rig ht	Thr u	Left	Ped s	App. Total	Rig ht	Thr u	Left	Ped s	App. Total	Rig ht	Thr u	Left	Ped s	App. Total	Rig ht	Thr u	Left	Ped s	App. Total	
Peak Hour Analysis From 07:00 AM to 11:45 AM - Peak 1 of 1																					
Peak Hour for Entire Intersection Begins at 07:30 AM																					
07:30 AM	5	47	1	0	53	3	4	0	1	8	2	54	7	0	63	3	7	13	0	23	147
07:45 AM	9	45	3	0	57	3	2	2	0	7	4	68	5	0	77	2	6	11	1	20	161
08:00 AM	1	46	0	0	47	2	5	4	0	11	3	56	3	1	63	0	6	7	0	13	134
08:15 AM	11	42	1	0	54	2	3	1	0	6	3	47	0	0	50	2	3	8	1	14	124
Total Volume	26	180	5	0	211	10	14	7	1	32	12	225	15	1	253	7	22	39	2	70	566
% App. Total	12.3	85.3	2.4	0		31.2	43.8	21.9	3.1		4.7	88.9	5.9	0.4		10	31.4	55.7	2.9		
PHF	.591	.957	.417	.000	.925	.833	.700	.438	.250	.727	.750	.827	.536	.250	.821	.583	.786	.750	.500	.761	.879



TH 5 & Jefferson Ave
 7-9am & 4-6pm
 vehicles, heavy trucks, peds
 day 2

File Name : site 38-TH 5 & Jefferson Ave -day 2
 Site Code : 38
 Start Date : 3/23/2022
 Page No : 3

Start Time	TH 5 From North					Jefferson Ave From East					TH 5 From South					Jefferson Ave From West					Int. Total
	Rig ht	Thr u	Left	Ped s	App. Total	Rig ht	Thr u	Left	Ped s	App. Total	Right	Thr u	Left	Peds	App. Total	Right	Thr u	Left	Peds	App. Total	
Peak Hour Analysis From 12:00 PM to 05:45 PM - Peak 1 of 1																					
Peak Hour for Entire Intersection Begins at 04:00 PM																					
04:00 PM	8	95	2	0	105	5	5	2	0	12	4	83	5	0	92	0	5	23	1	29	238
04:15 PM	8	88	3	0	99	3	5	9	2	19	1	100	3	2	106	0	3	19	1	23	247
04:30 PM	9	94	1	0	104	7	4	1	1	13	2	107	8	0	117	1	5	18	0	24	258
04:45 PM	8	101	0	1	110	1	1	1	1	4	2	98	5	0	105	2	2	10	0	14	233
Total Volume	33	378	6	1	418	16	15	13	4	48	9	388	21	2	420	3	15	70	2	90	976
% App. Total	7.9	90.4	1.4	0.2		33.3	31.2	27.1	8.3		2.1	92.4	5	0.5		3.3	16.7	77.8	2.2		
PHF	.917	.936	.500	.250	.950	.571	.750	.361	.500	.632	.563	.907	.656	.250	.897	.375	.750	.761	.500	.776	.946

