

# Alliant Engineering, Inc.

233 Park Ave Suite 300

Minneapolis, MN 55415

--TRAFFIC DATA--

TH 55 and Clydesdale Trail

Ref.Pt.: 176.081

data by : Alliant Inc.

TURN MOVEMENT COUNT

File Name : 405\_TH 55 & Clydesdale Tr

Site Code : 405

Start Date : 1/17/2018

Page No : 1

## Groups Printed- Class 1 - Class 2

Start Time	Clydesdale Tr From North					TH 55 From East					Clydesdale Tr From South					TH 55 From West					Int. Total
	Other	Right	Thru	Left	App. Total	Other	Right	Thru	Left	App. Total	Other	Right	Thru	Left	App. Total	Other	Right	Thru	Left	App. Total	
06:00 AM	0	1	0	4	5	0	5	55	0	60	0	0	0	0	0	0	0	244	4	248	313
06:15 AM	0	1	0	7	8	0	10	71	0	81	0	0	0	0	0	0	0	337	8	345	434
06:30 AM	0	7	0	4	11	0	7	107	0	114	0	0	0	0	0	0	0	362	6	368	493
06:45 AM	0	2	0	6	8	0	7	124	1	132	0	0	0	0	0	0	0	384	7	391	531
Total	0	11	0	21	32	0	29	357	1	387	0	0	0	0	0	0	0	1327	25	1352	1771
07:00 AM	0	6	1	11	18	0	6	108	0	114	0	0	0	0	0	0	1	353	9	363	495
07:15 AM	0	7	1	15	23	0	12	118	1	131	0	0	0	0	0	0	1	458	6	465	619
07:30 AM	0	10	1	12	23	0	10	144	1	155	0	0	0	0	0	0	0	447	3	450	628
07:45 AM	0	5	1	11	17	0	15	199	1	215	0	0	0	0	0	0	0	374	10	384	616
Total	0	28	4	49	81	0	43	569	3	615	0	0	0	0	0	0	2	1632	28	1662	2358
08:00 AM	0	4	0	28	32	0	17	161	2	180	0	0	0	0	0	0	0	409	7	416	628
08:15 AM	0	6	0	18	24	0	15	175	1	191	0	0	0	0	0	0	0	354	9	363	578
08:30 AM	0	4	0	23	27	0	19	126	3	148	0	0	0	0	0	0	0	317	12	329	504
08:45 AM	0	7	0	15	22	0	22	117	3	142	0	0	0	0	0	0	0	269	9	278	442
Total	0	21	0	84	105	0	73	579	9	661	0	0	0	0	0	0	0	1349	37	1386	2152
09:00 AM	0	6	1	7	14	0	8	110	1	119	0	0	0	0	0	0	1	230	9	240	373
09:15 AM	0	11	0	7	18	0	13	106	0	119	0	0	0	0	0	0	1	189	9	199	336
*** BREAK ***																					
Total	0	17	1	14	32	0	21	216	1	238	0	0	0	0	0	0	2	419	18	439	709
*** BREAK ***																					
10:30 AM	0	9	0	9	18	0	14	72	1	87	0	0	1	0	1	0	0	123	8	131	237
10:45 AM	0	10	0	6	16	0	12	82	1	95	0	2	1	1	4	0	1	133	9	143	258
Total	0	19	0	15	34	0	26	154	2	182	0	2	2	1	5	0	1	256	17	274	495
11:00 AM	0	6	1	6	13	0	8	109	3	120	0	1	0	0	1	0	0	114	8	122	256
11:15 AM	0	10	2	6	18	0	17	98	1	116	0	1	0	1	2	0	0	148	9	157	293
11:30 AM	0	7	0	11	18	0	21	99	2	122	0	0	0	1	1	0	0	139	12	151	292
11:45 AM	0	8	0	11	19	0	25	120	3	148	0	1	0	0	1	0	2	116	16	134	302
Total	0	31	3	34	68	0	71	426	9	506	0	3	0	2	5	0	2	517	45	564	1143
12:00 PM	0	16	3	13	32	0	16	124	1	141	0	0	1	0	1	0	1	151	14	166	340
12:15 PM	0	17	0	8	25	0	15	127	4	146	0	0	0	0	0	0	0	136	11	147	318
12:30 PM	0	12	0	20	32	0	9	136	2	147	0	0	0	1	1	0	2	118	8	128	308
12:45 PM	0	21	0	8	29	0	12	171	0	183	0	1	0	1	2	0	0	141	12	153	367
Total	0	66	3	49	118	0	52	558	7	617	0	1	1	2	4	0	3	546	45	594	1333
01:00 PM	0	24	0	9	33	0	5	123	4	132	0	0	1	0	1	0	0	97	8	105	271
01:15 PM	0	20	0	23	43	0	12	119	5	136	0	0	0	1	1	0	0	115	10	125	305
*** BREAK ***																					
Total	0	44	0	32	76	0	17	242	9	268	0	0	1	1	2	0	0	212	18	230	576
*** BREAK ***																					
02:30 PM	0	14	0	27	41	0	13	182	1	196	0	0	0	0	0	0	1	121	5	127	364
02:45 PM	0	20	0	9	29	0	10	197	0	207	0	1	1	0	2	0	0	123	11	134	372
Total	0	34	0	36	70	0	23	379	1	403	0	1	1	0	2	0	1	244	16	261	736
03:00 PM	0	17	1	20	38	0	12	279	0	291	0	1	0	0	1	0	0	144	8	152	482
03:15 PM	0	19	0	13	32	0	15	287	5	307	0	1	0	2	3	0	2	113	12	127	469
03:30 PM	0	19	0	16	35	0	16	366	2	384	0	1	0	2	3	0	0	185	5	190	612
03:45 PM	0	22	1	14	37	0	18	394	4	416	0	1	0	0	1	0	0	149	14	163	617
Total	0	77	2	63	142	0	61	1326	11	1398	0	4	0	4	8	0	2	591	39	632	2180
04:00 PM	0	19	0	15	34	0	22	377	2	401	0	1	0	0	1	0	3	139	14	156	592
04:15 PM	0	31	0	14	45	0	20	338	1	359	0	1	0	2	3	0	1	142	8	151	558
04:30 PM	0	22	0	20	42	0	31	392	0	423	0	1	0	0	1	0	0	177	11	188	654

# Alliant Engineering, Inc.

233 Park Ave Suite 300

Minneapolis, MN 55415

--TRAFFIC DATA--

TH 55 and Clydesdale Trail

Ref.Pt.: 176.081

data by : Alliant Inc.

TURN MOVEMENT COUNT

File Name : 405\_TH 55 & Clydesdale Tr

Site Code : 405\_\_\_\_\_

Start Date : 1/17/2018

Page No : 2

## Groups Printed- Class 1 - Class 2

Start Time	Clydesdale Tr From North					TH 55 From East					Clydesdale Tr From South					TH 55 From West					Int. Total
	Other	Rght	Thru	Left	App. Total	Other	Rght	Thru	Left	App. Total	Other	Rght	Thru	Left	App. Total	Other	Rght	Thru	Left	App. Total	
04:45 PM	0	34	0	11	45	0	20	398	4	422	0	0	0	1	1	0	0	164	10	174	642
Total	0	106	0	60	166	0	93	1505	7	1605	0	3	0	3	6	0	4	622	43	669	2446
05:00 PM	0	29	1	20	50	0	21	324	2	347	0	0	0	4	4	0	0	198	18	216	617
05:15 PM	0	12	0	32	44	0	22	362	1	385	0	1	1	0	2	0	2	192	10	204	635
05:30 PM	0	28	0	21	49	0	22	330	2	354	0	0	1	1	2	0	0	170	8	178	583
05:45 PM	0	16	0	16	32	0	18	300	2	320	0	0	0	0	0	0	0	145	4	149	501
Total	0	85	1	89	175	0	83	1316	7	1406	0	1	2	5	8	0	2	705	40	747	2336
Grand Total	0	539	14	546	1099	0	592	7627	67	8286	0	15	7	18	40	0	19	8420	371	8810	18235
Apprch %	0	49	1.3	49.7		0	7.1	92	0.8		0	37.5	17.5	45		0	0.2	95.6	4.2		
Total %	0	3	0.1	3	6	0	3.2	41.8	0.4	45.4	0	0.1	0	0.1	0.2	0	0.1	46.2	2	48.3	
Class 1	0	534	13	528	1075	0	580	7388	65	8033	0	15	7	18	40	0	19	8120	369	8508	17656
% Class 1	0	99.1	92.9	96.7	97.8	0	98	96.9	97	96.9	0	100	100	100	100	0	100	96.4	99.5	96.6	96.8
Class 2	0	5	1	18	24	0	12	239	2	253	0	0	0	0	0	0	0	300	2	302	579
% Class 2	0	0.9	7.1	3.3	2.2	0	2	3.1	3	3.1	0	0	0	0	0	0	0	3.6	0.5	3.4	3.2

# Alliant Engineering, Inc.

233 Park Ave Suite 300

Minneapolis, MN 55415

--TRAFFIC DATA--

TH 55 and Clydesdale Trail

Ref.Pt.: 176.081

data by : Alliant Inc.

TURN MOVEMENT COUNT

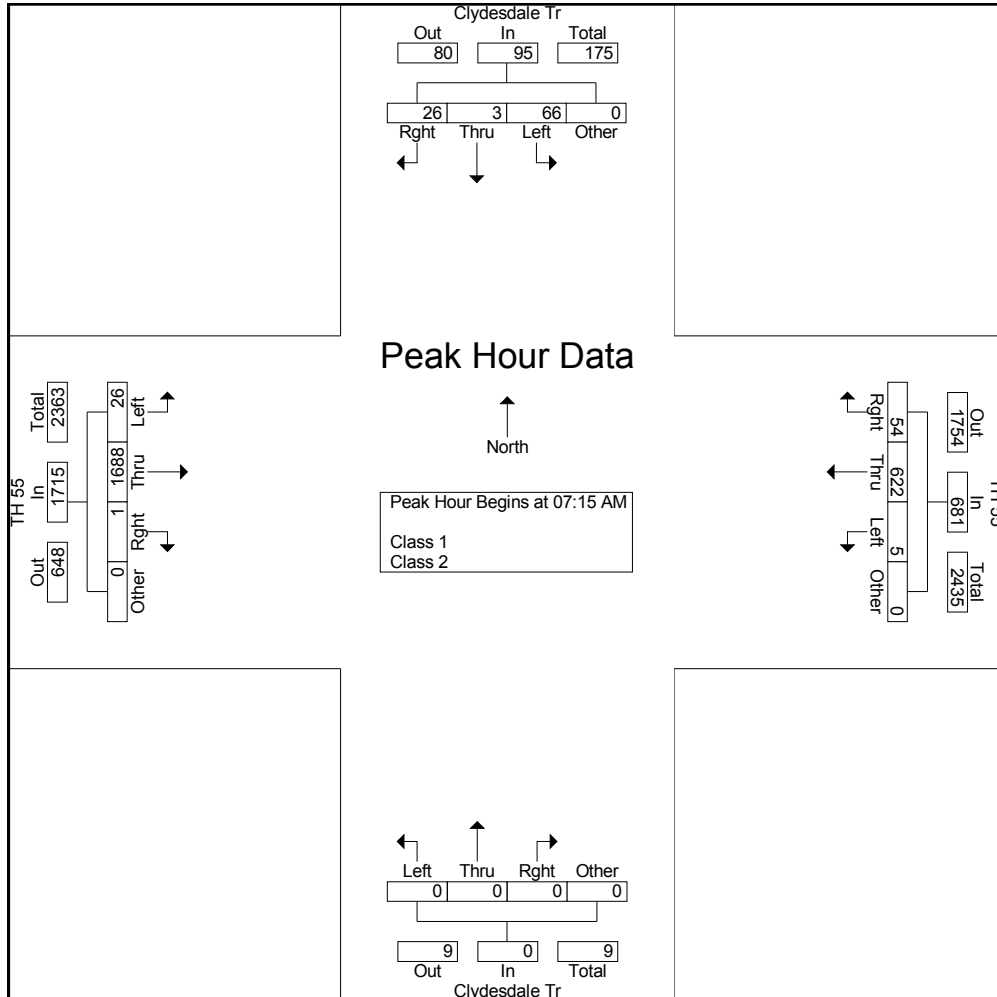
File Name : 405\_TH 55 & Clydesdale Tr

Site Code : 405\_\_\_\_\_

Start Date : 1/17/2018

Page No : 3

Start Time	Clydesdale Tr From North					TH 55 From East					Clydesdale Tr From South					TH 55 From West					Int. Total
	Other	Right	Thru	Left	App. Total	Other	Right	Thru	Left	App. Total	Other	Right	Thru	Left	App. Total	Other	Right	Thru	Left	App. Total	
Peak Hour Analysis From 06:00 AM to 11:45 AM - Peak 1 of 1																					
Peak Hour for Entire Intersection Begins at 07:15 AM																					
07:15 AM	0	7	1	15	23	0	12	118	1	131	0	0	0	0	0	0	1	458	6	465	619
07:30 AM	0	10	1	12	23	0	10	144	1	155	0	0	0	0	0	0	0	447	3	450	628
07:45 AM	0	5	1	11	17	0	15	199	1	215	0	0	0	0	0	0	0	374	10	384	616
08:00 AM	0	4	0	28	32	0	17	161	2	180	0	0	0	0	0	0	0	409	7	416	628
Total Volume	0	26	3	66	95	0	54	622	5	681	0	0	0	0	0	0	1	1688	26	1715	2491
% App. Total	0	27.4	3.2	69.5		0	7.9	91.3	0.7		0	0	0	0	0	0	0.1	98.4	1.5		
PHF	.000	.650	.750	.589	.742	.000	.794	.781	.625	.792	.000	.000	.000	.000	.000	.000	.250	.921	.650	.922	.992



# Alliant Engineering, Inc.

233 Park Ave Suite 300

Minneapolis, MN 55415

--TRAFFIC DATA--

TH 55 and Clydesdale Trail

Ref.Pt.: 176.081

data by : Alliant Inc.

TURN MOVEMENT COUNT

File Name : 405\_TH 55 & Clydesdale Tr

Site Code : 405\_\_\_\_\_

Start Date : 1/17/2018

Page No : 4

Start Time	Clydesdale Tr From North					TH 55 From East					Clydesdale Tr From South					TH 55 From West					Int. Total
	Other	Rgh t	Thru	Left	App. Total	Other	Rgh t	Thru	Left	App. Total	Other	Rgh t	Thru	Left	App. Total	Other	Rgh t	Thru	Left	App. Total	
Peak Hour Analysis From 12:00 PM to 05:45 PM - Peak 1 of 1																					
Peak Hour for Entire Intersection Begins at 04:30 PM																					
04:30 PM	0	22	0	20	42	0	31	392	0	423	0	1	0	0	1	0	0	177	11	188	654
04:45 PM	0	34	0	11	45	0	20	398	4	422	0	0	0	1	1	0	0	164	10	174	642
05:00 PM	0	29	1	20	50	0	21	324	2	347	0	0	0	4	4	0	0	198	18	216	617
05:15 PM	0	12	0	32	44	0	22	362	1	385	0	1	1	0	2	0	2	192	10	204	635
Total Volume	0	97	1	83	181	0	94	1476	7	1577	0	2	1	5	8	0	2	731	49	782	2548
% App. Total	0	53.6	0.6	45.9		0	6	93.6	0.4		0	25	12.5	62.5		0	0.3	93.5	6.3		
PHF	.000	.713	.250	.648	.905	.000	.758	.927	.438	.932	.000	.500	.250	.313	.500	.000	.250	.923	.681	.905	.974

