

Alliant Engineering Inc Minneapolis, MN 55415

Winnetka Ave N at Golden Valley Rd
Ref.Pt.: N of TH-55
Alliant Engineering Inc
TURN MOVEMENT COUNT

File Name : 60_Winnetka Ave at Golden Valley Rd_011811
Site Code : 00000060
Start Date : 1/18/2011
Page No : 1

Groups Printed- Unshifted - Bank 1

Start Time	Winnetka Ave Southbound				Golden Valley Rd Westbound				Winnetka Ave Northbound				Golden Valley Rd Eastbound				Int. Total
	Left	Thru	Right	Peds	Left	Thru	Right	Peds	Left	Thru	Right	Peds	Left	Thru	Right	Peds	
06:00	9	31	1	0	5	7	4	0	3	19	1	0	0	5	2	0	87
06:15	8	46	3	1	3	3	1	0	1	14	1	0	2	3	4	0	90
06:30	15	50	3	0	2	8	8	0	0	15	1	0	1	11	5	1	120
06:45	22	92	3	0	14	16	6	0	3	42	12	0	3	14	10	0	237
Total	54	219	10	1	24	34	19	0	7	90	15	0	6	33	21	1	534
07:00	26	119	8	0	14	14	6	1	8	49	18	0	6	19	11	0	299
07:15	25	134	7	0	11	9	6	0	6	29	22	0	4	26	18	0	297
07:30	30	164	9	0	18	24	11	0	6	25	11	0	4	25	17	0	344
07:45	28	160	8	1	9	31	13	0	10	46	19	1	4	21	19	0	370
Total	109	577	32	1	52	78	36	1	30	149	70	1	18	91	65	0	1310
08:00	18	109	5	0	18	24	18	0	15	56	6	0	8	28	10	0	315
08:15	20	119	7	2	11	22	12	0	8	39	14	0	5	20	15	0	294
08:30	24	94	6	1	9	22	11	0	4	33	11	0	7	28	12	1	263
08:45	24	76	7	0	12	18	18	0	10	42	14	1	4	9	12	1	248
Total	86	398	25	3	50	86	59	0	37	170	45	1	24	85	49	2	1120
09:00	16	68	15	0	11	17	7	0	3	40	11	0	10	16	14	0	228
09:15	23	76	12	0	15	16	13	0	12	44	19	0	7	17	26	1	281
*** BREAK ***																	
Total	39	144	27	0	26	33	20	0	15	84	30	0	17	33	40	1	509
*** BREAK ***																	
10:30	12	49	3	1	16	22	11	0	6	51	11	0	7	18	12	0	219
10:45	12	49	8	0	8	17	7	0	9	49	18	0	12	23	18	0	230
Total	24	98	11	1	24	39	18	0	15	100	29	0	19	41	30	0	449
11:00	28	63	5	0	20	21	18	0	12	50	21	0	9	31	18	0	296
11:15	37	58	12	0	23	23	24	0	17	43	23	0	10	29	17	0	316
11:30	22	62	6	2	25	24	19	0	22	60	15	0	13	38	22	0	330
11:45	41	65	9	1	23	35	23	0	25	66	27	1	15	47	31	0	409
Total	128	248	32	3	91	103	84	0	76	219	86	1	47	145	88	0	1351
12:00	42	73	9	0	28	36	25	0	19	67	33	1	14	45	27	2	421
12:15	40	68	12	1	26	27	32	0	14	63	16	0	23	42	27	0	391
12:30	38	84	14	1	30	23	31	0	27	67	17	1	10	25	25	0	393
12:45	30	63	11	1	35	27	24	0	16	73	19	0	11	52	27	0	389
Total	150	288	46	3	119	113	112	0	76	270	85	2	58	164	106	2	1594
13:00	26	55	10	0	23	27	19	1	24	54	25	0	19	30	24	0	337
13:15	21	65	12	1	11	17	16	0	20	62	22	0	12	26	16	1	302
*** BREAK ***																	
Total	47	120	22	1	34	44	35	1	44	116	47	0	31	56	40	1	639
*** BREAK ***																	
14:30	28	68	8	0	20	21	9	0	13	61	8	1	12	25	14	0	288
14:45	15	65	6	0	19	23	5	0	16	41	14	0	13	41	25	0	283
Total	43	133	14	0	39	44	14	0	29	102	22	1	25	66	39	0	571
15:00	26	62	5	0	22	21	10	0	19	55	16	0	11	31	24	0	302
15:15	15	61	5	0	15	21	8	0	13	53	18	0	9	36	11	0	265
15:30	13	76	10	0	20	18	9	0	11	79	13	0	10	29	24	0	312
15:45	21	72	9	2	15	15	19	0	11	68	17	0	9	26	12	0	296
Total	75	271	29	2	72	75	46	0	54	255	64	0	39	122	71	0	1175

Alliant Engineering Inc Minneapolis, MN 55415

Winnetka Ave N at Golden Valley Rd
Ref.Pt.: N of TH-55
Alliant Engineering Inc
TURN MOVEMENT COUNT

File Name : 60_Winnetka Ave at Golden Valley Rd_011811
Site Code : 00000060
Start Date : 1/18/2011
Page No : 2

Groups Printed- Unshifted - Bank 1

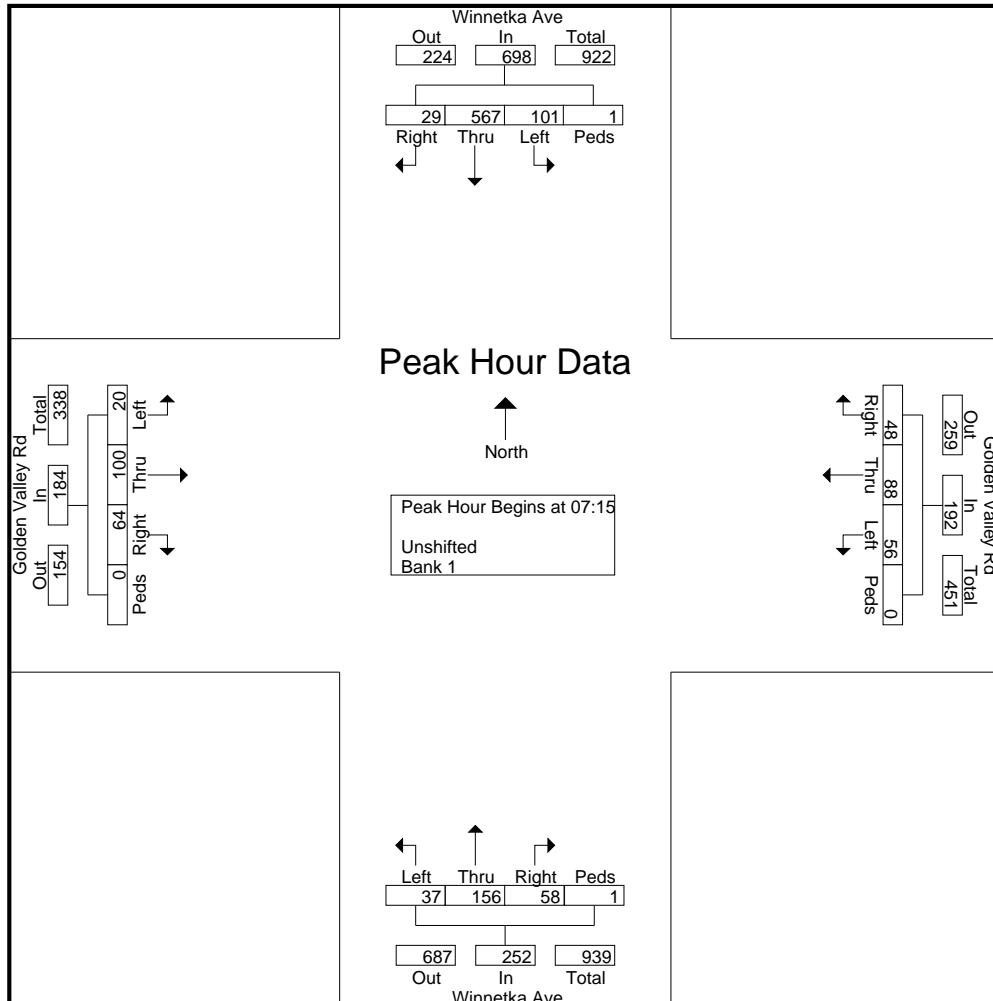
Start Time	Winnetka Ave Southbound				Golden Valley Rd Westbound				Winnetka Ave Northbound				Golden Valley Rd Eastbound				Int. Total
	Left	Thru	Right	Peds	Left	Thru	Right	Peds	Left	Thru	Right	Peds	Left	Thru	Right	Peds	
16:00	36	63	7	0	22	27	15	0	12	96	18	0	20	44	19	0	379
16:15	17	52	13	2	20	26	16	0	16	111	15	0	19	50	16	0	373
16:30	30	77	5	1	31	29	21	0	18	98	16	0	21	54	10	0	411
16:45	44	72	8	0	40	40	14	0	15	123	16	0	20	43	23	0	458
Total	127	264	33	3	113	122	66	0	61	428	65	0	80	191	68	0	1621
17:00	32	72	8	3	29	40	20	0	16	147	15	1	24	53	33	0	493
17:15	34	64	2	0	24	22	15	1	13	143	15	0	28	44	20	1	426
17:30	32	78	6	0	20	34	15	0	20	135	13	0	22	33	23	0	431
17:45	25	71	6	0	20	21	22	0	25	108	20	0	15	27	16	0	376
Total	123	285	22	3	93	117	72	1	74	533	63	1	89	157	92	1	1726
Grand Total	1005	3045	303	21	737	888	581	3	518	2516	621	7	453	1184	709	8	12599
Apprch %	23	69.6	6.9	0.5	33.4	40.2	26.3	0.1	14.1	68.7	17	0.2	19.2	50.3	30.1	0.3	
Total %	8	24.2	2.4	0.2	5.8	7	4.6	0	4.1	20	4.9	0.1	3.6	9.4	5.6	0.1	
Unshifted	988	3003	298	21	725	880	565	2	513	2475	611	7	449	1167	705	8	12417
% Unshifted	98.3	98.6	98.3	100	98.4	99.1	97.2	66.7	99	98.4	98.4	100	99.1	98.6	99.4	100	98.6
Bank 1	17	42	5	0	12	8	16	1	5	41	10	0	4	17	4	0	182
% Bank 1	1.7	1.4	1.7	0	1.6	0.9	2.8	33.3	1	1.6	1.6	0	0.9	1.4	0.6	0	1.4

Alliant Engineering Inc Minneapolis, MN 55415

Winnetka Ave N at Golden Valley Rd
 Ref.Pt.: N of TH-55
 Alliant Engineering Inc
 TURN MOVEMENT COUNT

File Name : 60_Winnetka Ave at Golden Valley Rd_011811
 Site Code : 00000060
 Start Date : 1/18/2011
 Page No : 3

Start Time	Winnetka Ave Southbound					Golden Valley Rd Westbound					Winnetka Ave Northbound					Golden Valley Rd Eastbound					Int. Total
	Left	Thru	Right	Peds	App. Total	Left	Thru	Right	Peds	App. Total	Left	Thru	Right	Peds	App. Total	Left	Thru	Right	Peds	App. Total	
Peak Hour Analysis From 06:00 to 09:15 - Peak 1 of 1																					
Peak Hour for Entire Intersection Begins at 07:15																					
07:15	25	134	7	0	166	11	9	6	0	26	6	29	22	0	57	4	26	18	0	48	297
07:30	30	164	9	0	203	18	24	11	0	53	6	25	11	0	42	4	25	17	0	46	344
07:45	28	160	8	1	197	9	31	13	0	53	10	46	19	1	76	4	21	19	0	44	370
08:00	18	109	5	0	132	18	24	18	0	60	15	56	6	0	77	8	28	10	0	46	315
Total Volume	101	567	29	1	698	56	88	48	0	192	37	156	58	1	252	20	100	64	0	184	1326
% App. Total	14.5	81.2	4.2	0.1		29.2	45.8	25	0		14.7	61.9	23	0.4		10.9	54.3	34.8	0		
PHF	.842	.864	.806	.250	.860	.778	.710	.667	.000	.800	.617	.696	.659	.250	.818	.625	.893	.842	.000	.958	.896



Alliant Engineering Inc Minneapolis, MN 55415

Winnetka Ave N at Golden Valley Rd
 Ref.Pt.: N of TH-55
 Alliant Engineering Inc
 TURN MOVEMENT COUNT

File Name : 60_Winnetka Ave at Golden Valley Rd_011811
 Site Code : 00000060
 Start Date : 1/18/2011
 Page No : 4

Start Time	Winnetka Ave Southbound					Golden Valley Rd Westbound					Winnetka Ave Northbound					Golden Valley Rd Eastbound					Int. Total
	Left	Thru	Right	Peds	App. Total	Left	Thru	Right	Peds	App. Total	Left	Thru	Right	Peds	App. Total	Left	Thru	Right	Peds	App. Total	
Peak Hour Analysis From 14:30 to 17:45 - Peak 1 of 1																					
Peak Hour for Entire Intersection Begins at 16:45																					
16:45	44	72	8	0	124	40	40	14	0	94	15	123	16	0	154	20	43	23	0	86	458
17:00	32	72	8	3	115	29	40	20	0	89	16	147	15	1	179	24	53	33	0	110	493
17:15	34	64	2	0	100	24	22	15	1	62	13	143	15	0	171	28	44	20	1	93	426
17:30	32	78	6	0	116	20	34	15	0	69	20	135	13	0	168	22	33	23	0	78	431
Total Volume	142	286	24	3	455	113	136	64	1	314	64	548	59	1	672	94	173	99	1	367	1808
% App. Total	31.2	62.9	5.3	0.7		36	43.3	20.4	0.3		9.5	81.5	8.8	0.1		25.6	47.1	27	0.3		
PHF	.807	.917	.750	.250	.917	.706	.850	.800	.250	.835	.800	.932	.922	.250	.939	.839	.816	.750	.250	.834	.917

