



MINNESOTA DEPT OF TRANSPORTATION

TRAFFIC DATA COLLECTION - METRO

TH-65 AT 50TH AVE NE
 REF.PT.: 005.757
 DATA COLLECTED BY ALLIANT ENG INC.
 TURN MOVEMENT COUNT

File Name : THBE52~1
 Site Code : 00000007
 Start Date : 8/5/2003
 Page No : 1

Groups Printed- Unshifted

Start Time	T.H. 65 Southbound				50th Ave. NE Westbound				T.H. 65 Northbound				50th Ave. NE Eastbound				Int. Total
	Left	Thru	Right	Peds	Left	Thru	Right	Peds	Left	Thru	Right	Peds	Left	Thru	Right	Peds	
06:00	2	95	0	1	3	3	3	0	4	82	2	0	14	0	5	2	216
06:15	2	116	3	1	4	1	8	0	3	81	2	1	11	17	4	1	255
06:30	6	195	0	0	3	1	9	0	5	100	0	0	21	5	4	1	350
06:45	1	221	0	1	4	1	6	0	3	101	3	0	11	1	8	0	361
Total	11	627	3	3	14	6	26	0	15	364	7	1	57	23	21	4	1182
07:00	7	245	0	2	6	1	10	1	3	97	2	0	9	4	4	0	391
07:15	5	246	0	1	3	1	10	0	4	112	2	1	14	10	6	0	415
07:30	3	305	0	0	7	1	12	0	3	123	2	0	19	7	12	1	495
07:45	8	265	2	0	6	0	9	0	3	129	4	1	19	5	8	0	459
Total	23	1061	2	3	22	3	41	1	13	461	10	2	61	26	30	1	1760
08:00	2	190	1	0	4	3	12	3	1	122	4	0	15	2	3	0	362
08:15	17	200	0	1	6	2	13	1	2	131	5	0	15	1	3	0	397
08:30	10	154	2	1	9	3	16	0	3	142	3	0	43	1	8	0	395
08:45	11	194	0	0	4	3	11	0	5	130	9	1	19	1	5	0	393
Total	40	738	3	2	23	11	52	4	11	525	21	1	92	5	19	0	1547
11:00	12	221	3	0	9	1	7	1	4	206	4	0	12	5	7	0	492
11:15	14	266	1	3	6	4	10	0	13	216	7	0	4	4	9	0	557
11:30	23	275	2	4	4	2	7	2	18	248	3	0	25	1	6	0	620
11:45	27	275	3	3	6	4	17	1	11	237	3	0	24	4	4	0	619
Total	76	1037	9	10	25	11	41	4	46	907	17	0	65	14	26	0	2288
12:00	20	247	4	0	2	2	16	1	22	263	7	2	20	3	11	0	620
12:15	39	241	1	0	8	3	14	0	19	257	5	1	38	1	8	0	635
12:30	28	218	5	0	4	4	9	0	17	304	1	1	34	2	6	1	634
12:45	35	259	4	2	7	1	11	0	13	276	9	0	23	1	8	0	649
Total	122	965	14	2	21	10	50	1	71	1100	22	4	115	7	33	1	2538
15:00	20	237	0	5	3	5	11	0	14	279	5	0	17	1	3	0	600
15:15	6	196	2	0	1	2	13	2	6	278	5	1	16	3	6	2	539
15:30	20	216	2	0	3	1	12	0	10	273	8	1	16	1	5	0	568
15:45	10	228	2	1	5	1	13	4	8	323	5	1	19	7	7	0	634
Total	56	877	6	6	12	9	49	6	38	1153	23	3	68	12	21	2	2341
16:00	21	224	0	0	3	1	6	1	6	320	7	1	18	2	6	0	616
16:15	7	196	1	0	6	5	10	0	6	287	10	0	12	6	11	0	557
16:30	10	217	4	1	6	1	7	2	11	327	1	3	20	1	7	0	618
16:45	13	256	4	2	7	0	11	3	11	327	3	3	16	4	6	3	669
Total	51	893	9	3	22	7	34	6	34	1261	21	7	66	13	30	3	2460
17:00	8	246	0	0	3	3	6	0	19	327	4	0	20	4	5	0	645
17:15	11	253	2	3	4	3	12	3	5	351	6	0	16	2	11	0	682
17:30	23	212	5	0	4	2	7	3	11	315	6	0	19	5	18	0	630
17:45	10	228	3	0	7	2	14	3	14	336	10	1	34	1	8	0	671
Total	52	939	10	3	18	10	39	9	49	1329	26	1	89	12	42	0	2628
Grand Total	431	7137	56	32	157	67	332	31	277	7100	147	19	613	112	222	11	16744
Apprch %	5.6	93.2	0.7	0.4	26.7	11.4	56.6	5.3	3.7	94.1	1.9	0.3	64	11.7	23.2	1.1	
Total %	2.6	42.6	0.3	0.2	0.9	0.4	2	0.2	1.7	42.4	0.9	0.1	3.7	0.7	1.3	0.1	



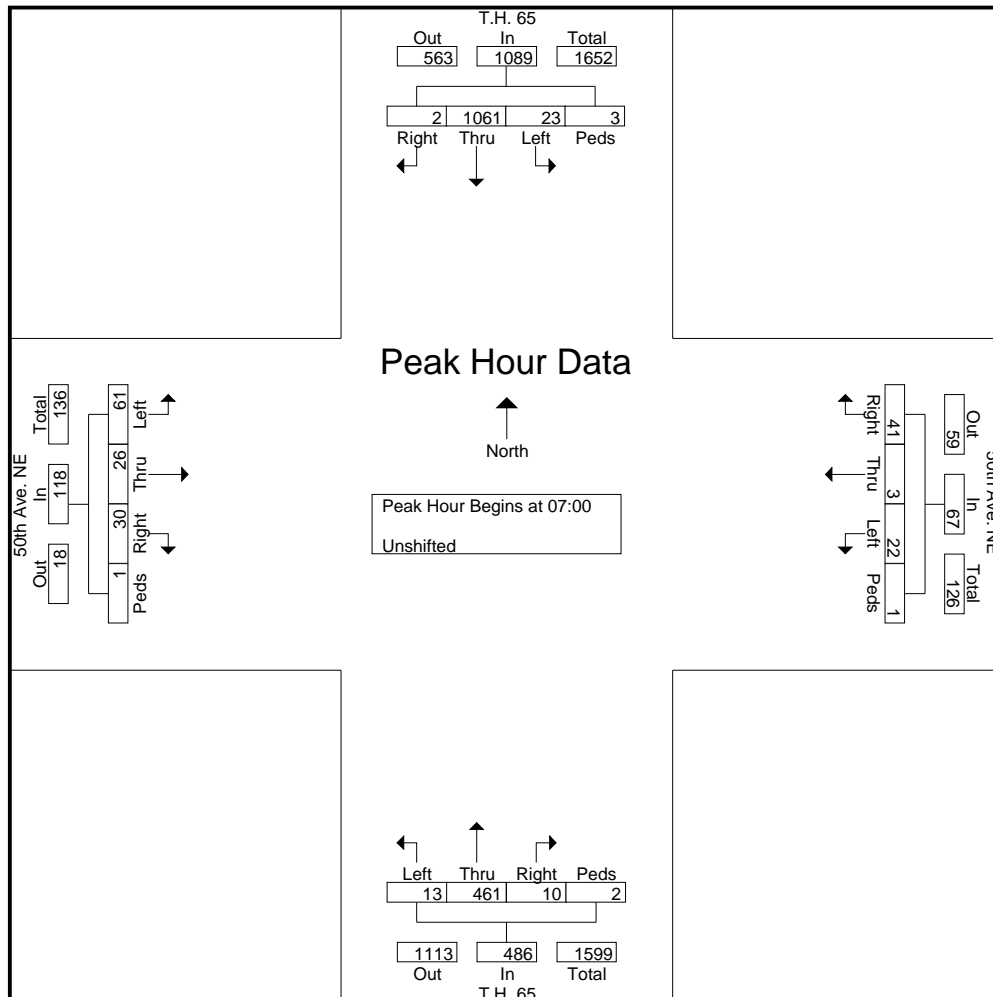
MINNESOTA DEPT OF TRANSPORTATION

TRAFFIC DATA COLLECTION - METRO

TH-65 AT 50TH AVE NE
 REF.PT.: 005.757
 DATA COLLECTED BY ALLIANT ENG INC.
 TURN MOVEMENT COUNT

File Name : THBE52~1
 Site Code : 00000007
 Start Date : 8/5/2003
 Page No : 3

Start Time	T.H. 65 Southbound					50th Ave. NE Westbound					T.H. 65 Northbound					50th Ave. NE Eastbound					Int. Total
	Left	Thru	Right	Peds	App. Total	Left	Thru	Right	Peds	App. Total	Left	Thru	Right	Peds	App. Total	Left	Thru	Right	Peds	App. Total	
Peak Hour Analysis From 06:00 to 08:45 - Peak 1 of 1																					
Peak Hour for Entire Intersection Begins at 07:00																					
07:00	7	245	0	2	254	6	1	10	1	18	3	97	2	0	102	9	4	4	0	17	391
07:15	5	246	0	1	252	3	1	10	0	14	4	112	2	1	119	14	10	6	0	30	415
07:30	3	305	0	0	308	7	1	12	0	20	3	123	2	0	128	19	7	12	1	39	495
07:45	8	265	2	0	275	6	0	9	0	15	3	129	4	1	137	19	5	8	0	32	459
Total Volume	23	1061	2	3	1089	22	3	41	1	67	13	461	10	2	486	61	26	30	1	118	1760
% App. Total	2.1	97.4	0.2	0.3		32.8	4.5	61.2	1.5		2.7	94.9	2.1	0.4		51.7	22	25.4	0.8		
PHF	.719	.870	.250	.375	.884	.786	.750	.854	.250	.838	.813	.893	.625	.500	.887	.803	.650	.625	.250	.756	.889





MINNESOTA DEPT OF TRANSPORTATION

TRAFFIC DATA COLLECTION - METRO

TH-65 AT 50TH AVE NE
 REF.PT.: 005.757
 DATA COLLECTED BY ALLIANT ENG INC.
 TURN MOVEMENT COUNT

File Name : THBE52~1
 Site Code : 0000007
 Start Date : 8/5/2003
 Page No : 4

Start Time	T.H. 65 Southbound					50th Ave. NE Westbound					T.H. 65 Northbound					50th Ave. NE Eastbound					Int. Total
	Left	Thru	Right	Peds	App. Total	Left	Thru	Right	Peds	App. Total	Left	Thru	Right	Peds	App. Total	Left	Thru	Right	Peds	App. Total	
Peak Hour Analysis From 15:00 to 17:45 - Peak 1 of 1																					
Peak Hour for Entire Intersection Begins at 17:00																					
17:00	8	246	0	0	254	3	3	6	0	12	19	327	4	0	350	20	4	5	0	29	645
17:15	11	253	2	3	269	4	3	12	3	22	5	351	6	0	362	16	2	11	0	29	682
17:30	23	212	5	0	240	4	2	7	3	16	11	315	6	0	332	19	5	18	0	42	630
17:45	10	228	3	0	241	7	2	14	3	26	14	336	10	1	361	34	1	8	0	43	671
Total Volume	52	939	10	3	1004	18	10	39	9	76	49	1329	26	1	1405	89	12	42	0	143	2628
% App. Total	5.2	93.5	1	0.3		23.7	13.2	51.3	11.8		3.5	94.6	1.9	0.1		62.2	8.4	29.4	0		
PHF	.565	.928	.500	.250	.933	.643	.833	.696	.750	.731	.645	.947	.650	.250	.970	.654	.600	.583	.000	.831	.963

