

Location: TH 65 at 53rd Avenue  
 Count Date: 4/27/2017  
 Counted By: JDA



**TURNING MOVEMENT COUNT DATA**

All Vehicles

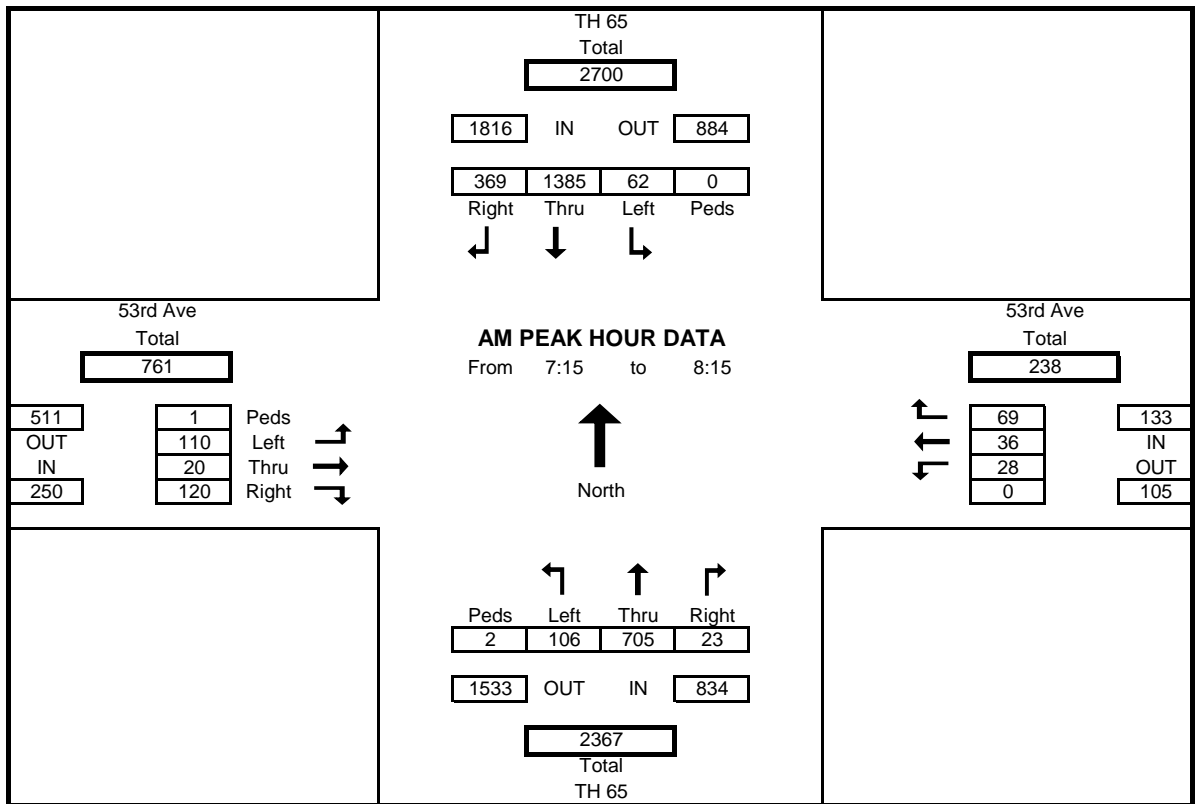
Start Time	TH 65				53rd Ave				TH 65				53rd Ave				Int. Total
	Southbound				Westbound				Northbound				Eastbound				
	Left	Thru	Right	Peds	Left	Thru	Right	Peds	Left	Thru	Right	Peds	Left	Thru	Right	Peds	
6:00	3	97	18	0	0	4	9	0	0	81	1	0	6	1	8	0	228
6:15	12	164	37	0	0	0	14	0	14	122	1	0	18	1	14	0	397
6:30	7	217	47	0	2	0	14	0	2	167	0	1	18	1	9	0	484
6:45	11	251	49	0	4	4	21	0	12	145	5	0	19	2	22	0	545
7:00	14	244	60	0	3	6	27	0	14	133	4	0	30	1	19	0	555
7:15	11	337	61	0	8	8	9	0	21	172	5	1	27	2	30	1	691
7:30	18	353	95	0	5	12	19	0	20	202	1	1	27	10	31	0	793
7:45	13	388	113	0	6	7	16	0	30	178	10	0	26	6	28	0	821
8:00	20	307	100	0	9	9	25	0	35	153	7	0	30	2	31	0	728
8:15	18	254	77	0	5	4	22	0	23	149	7	1	30	8	28	1	625
8:30	21	196	65	0	15	6	28	0	28	140	9	1	35	4	24	0	571
8:45	25	207	63	0	11	1	21	0	16	176	6	0	36	1	30	0	593
9:00	24	151	64	0	7	6	23	0	30	149	12	0	29	6	28	2	529
9:15	21	159	57	0	13	3	32	0	27	166	11	1	29	14	28	0	560
9:30	30	155	59	0	10	12	34	0	23	150	14	0	29	8	31	0	555
9:45	35	165	76	0	14	10	27	0	25	139	13	0	41	5	27	4	577
10:00	29	158	57	0	15	5	34	1	19	145	11	0	40	9	28	1	550
10:15	32	143	41	0	13	7	30	0	28	168	16	0	41	6	27	0	552
10:30	31	165	52	0	16	7	29	0	22	164	20	0	39	6	29	0	580
10:45	34	168	52	0	16	10	29	0	30	158	4	0	32	8	32	0	573
11:00	30	181	44	0	11	10	32	0	23	178	12	0	50	8	36	0	615
11:15	30	219	69	1	11	8	28	0	33	189	17	0	39	8	38	0	689
11:30	40	217	76	0	15	5	40	0	35	217	13	0	68	9	28	2	763
11:45	42	180	81	0	16	6	25	0	32	215	18	0	50	7	41	0	713
12:00	41	210	69	0	14	15	46	0	43	221	10	1	49	15	53	2	786
12:15	34	213	57	0	7	8	38	0	42	203	21	0	61	13	46	0	743
12:30	40	208	61	0	17	11	49	0	46	234	18	1	55	6	53	0	798
12:45	32	201	78	0	13	17	42	0	37	264	20	0	64	10	43	0	821
13:00	31	209	71	0	17	11	43	0	29	238	10	0	55	14	43	0	771
13:15	31	198	71	0	18	9	35	0	31	239	17	0	65	8	46	0	768
13:30	35	190	63	0	14	11	38	0	36	242	13	0	55	9	38	1	744
13:45	45	189	61	1	17	19	23	0	36	219	24	1	53	13	31	2	730
14:00	34	212	68	0	16	11	42	0	29	227	20	1	63	6	55	2	783
14:15	32	208	67	0	16	15	47	0	31	278	14	1	60	7	39	0	814
14:30	38	196	75	1	20	9	34	0	38	285	13	0	67	3	38	0	816
14:45	22	213	69	0	16	16	38	0	34	266	9	1	60	17	40	1	800
15:00	36	246	58	0	10	10	36	0	43	296	14	0	55	8	37	3	849
15:15	19	219	69	0	11	7	33	0	31	304	13	0	52	12	41	0	811
15:30	25	214	71	0	14	10	26	0	36	278	16	0	64	13	51	0	818
15:45	24	244	70	0	10	4	27	0	52	405	20	0	59	13	49	0	977
16:00	37	267	81	0	16	8	30	0	37	289	17	0	55	18	37	4	892
16:15	28	256	85	2	13	13	27	0	55	334	20	1	73	9	51	0	964
16:30	25	268	66	0	16	12	31	0	42	345	13	3	84	18	65	2	985
16:45	34	275	81	0	20	16	23	0	47	370	23	0	59	13	71	0	1032
17:00	24	263	78	0	15	11	19	3	47	327	13	1	85	13	75	1	970
17:15	35	274	76	0	23	8	35	0	36	297	21	0	69	15	60	2	949
17:30	25	210	58	0	10	10	26	0	54	399	15	1	68	10	55	0	940
17:45	27	240	64	0	14	7	34	0	59	275	15	1	43	9	59	0	846
18:00	38	244	89	0	15	12	27	0	45	271	15	3	73	10	63	0	902
18:15	30	230	50	0	13	12	34	0	34	292	17	1	64	10	47	0	833
18:30	24	239	79	0	13	10	26	0	33	209	16	0	43	17	52	0	761
18:45	32	230	56	0	13	15	26	0	34	267	17	0	67	12	45	1	814
Total	1429	11442	3454	5	636	467	1523	4	1659	11730	671	23	2509	454	2030	32	38004
Cars+	1399	11181	3396	2	630	463	1499	4	1604	11453	668	23	2476	450	1955	29	37174
Trucks	30	261	58	3	6	4	24	0	55	277	3	0	33	4	75	3	830
% Trucks	2.1	2.3	1.7	150.0	1.0	0.9	1.6	0.0	3.4	2.4	0.4	0.0	1.3	0.9	3.8	10.3	2.2
	2.2				1.3				2.4				2.3				

Location: TH 65 at 53rd Avenue  
 Count Date: 4/27/2017  
 Counted By: JDA



**AM PEAK HOUR TURNING MOVEMENT DATA**  
 All Vehicles

Start Time	TH 65				53rd Ave				TH 65				53rd Ave				Int. Total
	Southbound				Westbound				Northbound				Eastbound				
	Left	Thru	Right	Peds	Left	Thru	Right	Peds	Left	Thru	Right	Peds	Left	Thru	Right	Peds	
7:15	11	337	61	0	8	8	9	0	21	172	5	1	27	2	30	1	691
7:30	18	353	95	0	5	12	19	0	20	202	1	1	27	10	31	0	793
7:45	13	388	113	0	6	7	16	0	30	178	10	0	26	6	28	0	821
8:00	20	307	100	0	9	9	25	0	35	153	7	0	30	2	31	0	728
Total	62	1385	369	0	28	36	69	0	106	705	23	2	110	20	120	1	3033
% App. Total	3.4	76.3	20.3	0.0	1.5	2.0	3.8	0.0	5.8	38.8	1.3	0.1	6.1	1.1	6.6	0.1	
PHF	0.775	0.892	0.816	0.000	0.778	0.750	0.690	0.000	0.757	0.873	0.575	0.500	0.917	0.500	0.968	0.250	0.924
% Trucks	6.9	2.2	2.2	0.0	0.0	0.0	1.5	0.0	3.9	5.9	0.0	0.0	5.8	5.3	11.1	0.0	3.6
	2.4				0.8				5.4				8.2				

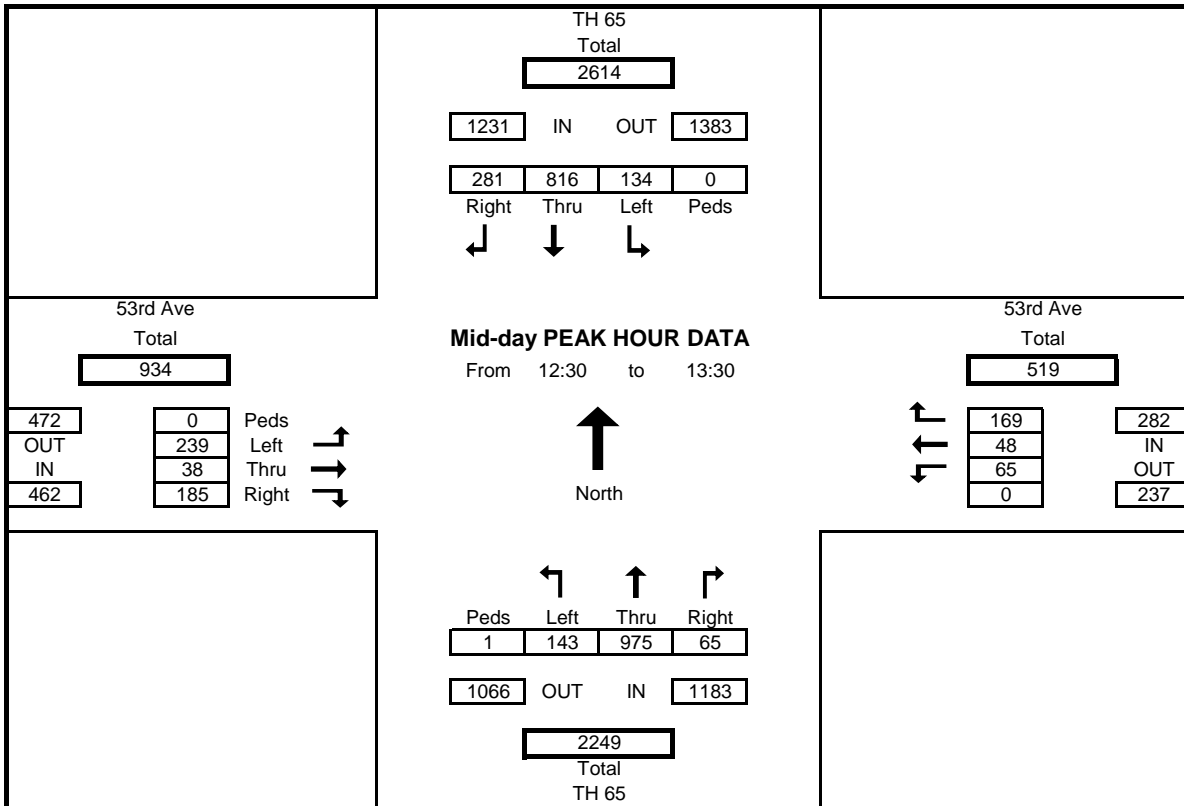


Location: TH 65 at 53rd Avenue  
 Count Date: 4/27/2017  
 Counted By: JDA



**Mid-Day PEAK HOUR TURNING MOVEMENT DATA**  
 All Vehicles

Start Time	TH 65				53rd Ave				TH 65				53rd Ave				Int. Total
	Southbound				Westbound				Northbound				Eastbound				
	Left	Thru	Right	Peds	Left	Thru	Right	Peds	Left	Thru	Right	Peds	Left	Thru	Right	Peds	
12:30	40	208	61	0	17	11	49	0	46	234	18	1	55	6	53	0	798
12:45	32	201	78	0	13	17	42	0	37	264	20	0	64	10	43	0	821
13:00	31	209	71	0	17	11	43	0	29	238	10	0	55	14	43	0	771
13:15	31	198	71	0	18	9	35	0	31	239	17	0	65	8	46	0	768
<b>Total</b>	<b>134</b>	<b>816</b>	<b>281</b>	<b>0</b>	<b>65</b>	<b>48</b>	<b>169</b>	<b>0</b>	<b>143</b>	<b>975</b>	<b>65</b>	<b>1</b>	<b>239</b>	<b>38</b>	<b>185</b>	<b>0</b>	<b>3158</b>
% App. Total	10.9	66.3	22.8	0.0	5.3	3.9	13.7	0.0	11.6	79.2	5.3	0.1	19.4	3.1	15.0	0.0	
PHF	0.838	0.976	0.901	0.000	0.903	0.706	0.862	0.000	0.777	0.923	0.813	0.250	0.919	0.679	0.873	0.000	0.962
% Trucks	3.1	2.9	0.7	0.0	3.2	2.1	1.8	0.0	2.9	3.0	1.6	0.0	0.8	2.7	3.9	0.0	2.5
	2.4				2.2				2.9				2.2				



Location: TH 65 at 53rd Avenue  
 Count Date: 4/27/2017  
 Counted By: JDA

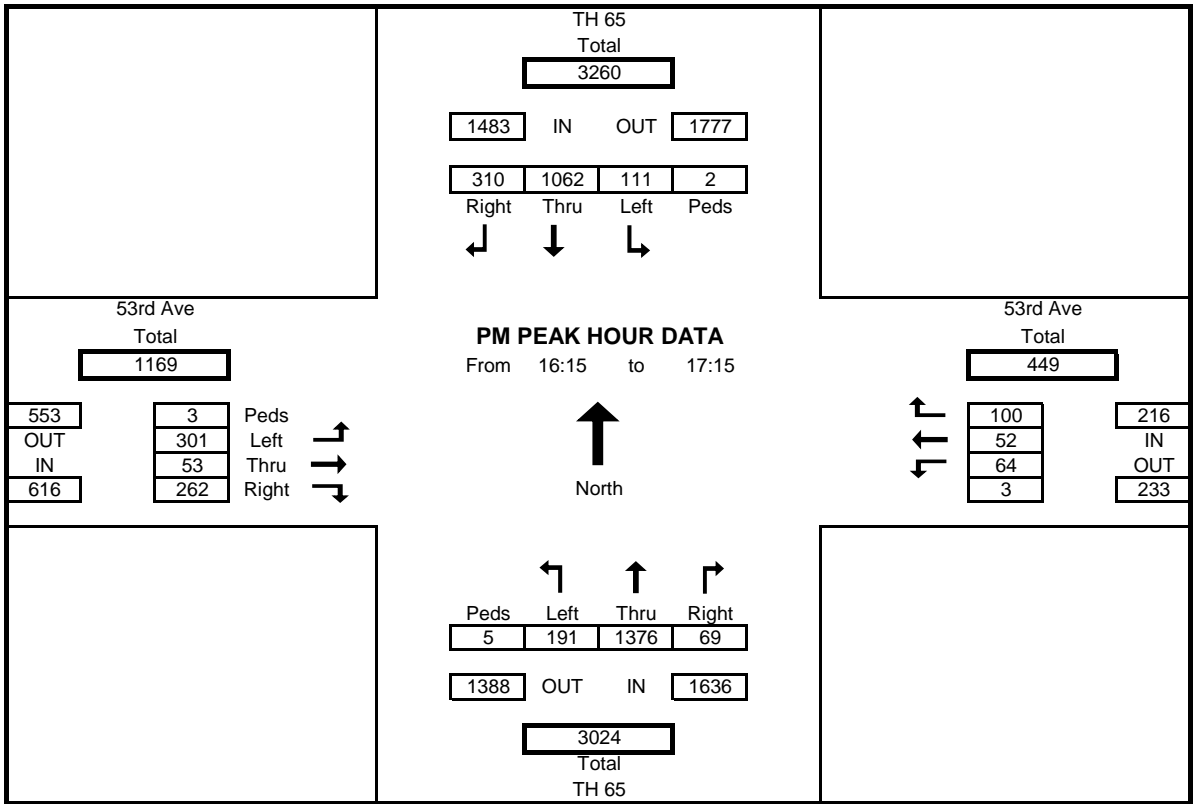


**AM PEAK HOUR TURNING MOVEMENT DATA**  
 All Vehicles

Start Time	TH 65				53rd Ave				TH 65				53rd Ave				Int. Total
	Southbound				Westbound				Northbound				Eastbound				
	Left	Thru	Right	Peds	Left	Thru	Right	Peds	Left	Thru	Right	Peds	Left	Thru	Right	Peds	
16:15	28	256	85	2	13	13	27	0	55	334	20	1	73	9	51	0	964
16:30	25	268	66	0	16	12	31	0	42	345	13	3	84	18	65	2	985
16:45	34	275	81	0	20	16	23	0	47	370	23	0	59	13	71	0	1032
17:00	24	263	78	0	15	11	19	3	47	327	13	1	85	13	75	1	970
<b>Total</b>	<b>111</b>	<b>1062</b>	<b>310</b>	<b>2</b>	<b>64</b>	<b>52</b>	<b>100</b>	<b>3</b>	<b>191</b>	<b>1376</b>	<b>69</b>	<b>5</b>	<b>301</b>	<b>53</b>	<b>262</b>	<b>3</b>	<b>3951</b>
% App. Total	7.5	71.5	20.9	0.1	4.3	3.5	6.7	0.2	12.9	92.7	4.6	0.3	20.3	3.6	17.6	0.2	
PHF	0.816	0.965	0.912	0.250	0.800	0.813	0.806	0.250	0.868	0.930	0.750	0.417	0.885	0.736	0.873	0.375	0.957

% Trucks	1.8	1.6	0.6	#DIV/0!	0.0	0.0	2.0	0.0	2.7	1.7	0.0	0.0	1.0	0.0	1.9	0.0	1.5
		1.4				0.9				1.7				1.3			



Location: TH 65 at 53rd Avenue  
 Count Date: 4/27/2017  
 Counted By: JDA



**TURNING MOVEMENT COUNT DATA**

Cars+

Start Time	TH 65				53rd Ave				TH 65				53rd Ave				Int. Total
	Southbound				Westbound				Northbound				Eastbound				
	Left	Thru	Right	Peds	Left	Thru	Right	Peds	Left	Thru	Right	Peds	Left	Thru	Right	Peds	
6:00	2	92	17	0	0	4	9	0	0	79	1	0	6	1	6	0	217
6:15	12	157	34	0	0	0	14	0	12	118	1	0	18	1	14	0	381
6:30	5	205	46	0	2	0	14	0	2	163	0	1	16	1	6	0	460
6:45	11	242	47	0	4	4	20	0	12	141	5	0	18	2	21	0	527
7:00	13	238	57	0	2	6	27	0	13	129	4	0	29	1	16	0	535
7:15	10	333	58	0	8	8	8	0	21	164	5	1	27	1	27	1	670
7:30	18	351	92	0	5	12	19	0	19	199	1	1	25	10	29	0	780
7:45	12	373	112	0	6	7	16	0	29	169	10	0	23	6	24	0	787
8:00	18	298	99	0	9	9	25	0	33	134	7	0	29	2	28	0	691
8:15	17	248	74	0	5	4	19	0	23	146	7	1	29	8	27	1	607
8:30	21	188	62	0	15	6	27	0	26	134	9	1	35	4	24	0	551
8:45	24	203	62	0	11	1	20	0	15	170	6	0	36	1	28	0	577
9:00	24	146	63	0	7	6	23	0	28	145	12	0	27	6	26	2	513
9:15	20	147	57	0	13	3	32	0	26	159	11	1	29	14	27	0	538
9:30	30	151	59	0	10	11	33	0	21	144	14	0	29	8	30	0	540
9:45	35	159	73	0	14	10	27	0	24	136	13	0	41	5	24	4	561
10:00	29	155	57	0	15	5	34	1	18	143	11	0	40	9	27	1	543
10:15	31	140	40	0	13	7	30	0	26	164	16	0	41	6	26	0	540
10:30	31	160	51	0	16	7	29	0	21	161	19	0	38	5	27	0	565
10:45	34	163	52	0	16	10	29	0	28	153	4	0	32	8	31	0	560
11:00	29	179	44	0	11	10	30	0	22	176	12	0	50	8	34	0	605
11:15	29	208	66	0	11	8	27	0	32	186	17	0	38	8	37	0	667
11:30	39	212	75	0	15	5	39	0	35	214	13	0	66	9	26	2	748
11:45	41	173	77	0	16	6	24	0	31	205	18	0	50	7	40	0	688
12:00	41	206	69	0	13	14	46	0	41	219	10	1	48	15	51	2	773
12:15	33	211	56	0	7	8	38	0	41	197	20	0	59	13	45	0	728
12:30	40	201	61	0	16	11	48	0	44	229	18	1	53	5	52	0	778
12:45	29	197	78	0	13	16	41	0	37	260	20	0	64	10	42	0	807
13:00	30	203	70	0	16	11	43	0	28	227	9	0	55	14	40	0	746
13:15	31	192	70	0	18	9	34	0	30	231	17	0	65	8	44	0	749
13:30	35	186	61	0	13	11	37	0	35	234	13	0	55	9	37	1	726
13:45	45	179	61	1	17	19	23	0	36	215	24	1	53	13	30	2	715
14:00	34	203	65	0	16	11	42	0	27	224	20	1	62	6	53	2	763
14:15	32	207	66	0	16	15	47	0	31	270	14	1	59	7	37	0	801
14:30	37	195	74	1	20	9	34	0	36	283	13	0	67	3	36	0	807
14:45	21	209	68	0	16	16	38	0	33	261	9	1	60	17	39	1	787
15:00	35	243	57	0	10	10	36	0	43	292	14	0	54	8	36	1	838
15:15	18	217	68	0	11	7	32	0	30	297	13	0	52	12	40	0	797
15:30	25	213	71	0	14	10	25	0	35	273	16	0	64	13	50	0	809
15:45	24	239	70	0	10	4	27	0	51	397	20	0	59	13	48	0	962
16:00	37	264	80	0	16	8	29	0	36	283	17	0	55	18	36	3	879
16:15	28	252	85	0	13	13	27	0	53	331	20	1	72	9	50	0	953
16:30	24	265	65	0	16	12	30	0	42	336	13	3	83	18	64	2	968
16:45	34	269	81	0	20	16	23	0	45	364	23	0	59	13	69	0	1016
17:00	23	259	77	0	15	11	18	3	46	322	13	1	84	13	74	1	955
17:15	35	272	76	0	23	8	35	0	34	288	21	0	68	15	60	2	935
17:30	25	207	58	0	10	10	25	0	54	389	15	1	68	10	54	0	925
17:45	27	239	63	0	14	7	33	0	58	270	15	1	43	9	58	0	836
18:00	37	238	88	0	15	12	27	0	43	268	15	3	72	10	63	0	888
18:15	30	228	49	0	12	12	34	0	33	290	17	1	63	10	46	0	824
18:30	23	238	79	0	13	10	26	0	31	206	16	0	42	16	52	0	752
18:45	31	228	56	0	13	14	26	0	34	265	17	0	66	12	44	1	806
Total	1399	11181	3396	2	630	463	1499	4	1604	11453	668	23	2476	450	1955	29	37174
Cars+	1399	11181	3396	2	630	463	1499	4	1604	11453	668	23	2476	450	1955	29	37174
Trucks	30	261	58	3	6	4	24	0	55	277	3	0	33	4	75	3	830
% Trucks	2.1	2.3	1.7	150.0	1.0	0.9	1.6	0.0	3.4	2.4	0.4	0.0	1.3	0.9	3.8	10.3	2.2
	2.2				1.3				2.4				2.3				

Location: TH 65 at 53rd Avenue  
 Count Date: 4/27/2017  
 Counted By: JDA



**TURNING MOVEMENT COUNT DATA**  
**Heavy Vehicles**

Start Time	TH 65				53rd Ave				TH 65				53rd Ave				Int. Total	
	Southbound				Westbound				Northbound				Eastbound					
	Left	Thru	Right	Peds	Left	Thru	Right	Peds	Left	Thru	Right	Peds	Left	Thru	Right	Peds		
6:00	1	5	1	0	0	0	0	0	0	2	0	0	0	0	0	2	0	11
6:15	0	7	3	0	0	0	0	0	0	4	0	0	0	0	0	0	0	16
6:30	2	12	1	0	0	0	0	0	0	4	0	0	0	2	0	3	0	24
6:45	0	9	2	0	0	0	1	0	0	4	0	0	0	1	0	1	0	18
7:00	1	6	3	0	1	0	0	0	1	4	0	0	1	0	3	0	20	
7:15	1	4	3	0	0	0	1	0	0	8	0	0	0	0	1	3	0	21
7:30	0	2	3	0	0	0	0	0	1	3	0	0	2	0	2	0	13	
7:45	1	15	1	0	0	0	0	0	1	9	0	0	3	0	4	0	34	
8:00	2	9	1	0	0	0	0	0	2	19	0	0	1	0	3	0	37	
8:15	1	6	3	0	0	0	3	0	0	3	0	0	1	0	1	0	18	
8:30	0	8	3	0	0	0	1	0	2	6	0	0	0	0	0	0	20	
8:45	1	4	1	0	0	0	1	0	1	6	0	0	0	0	2	0	16	
9:00	0	5	1	0	0	0	0	0	2	4	0	0	2	0	2	0	16	
9:15	1	12	0	0	0	0	0	0	1	7	0	0	0	0	1	0	22	
9:30	0	4	0	0	0	1	1	0	2	6	0	0	0	0	1	0	15	
9:45	0	6	3	0	0	0	0	0	1	3	0	0	0	0	3	0	16	
10:00	0	3	0	0	0	0	0	0	1	2	0	0	0	0	1	0	7	
10:15	1	3	1	0	0	0	0	0	2	4	0	0	0	0	1	0	12	
10:30	0	5	1	0	0	0	0	0	1	3	1	0	1	1	2	0	15	
10:45	0	5	0	0	0	0	0	0	2	5	0	0	0	0	1	0	13	
11:00	1	2	0	0	0	0	2	0	1	2	0	0	0	0	2	0	10	
11:15	1	11	3	1	0	0	1	0	1	3	0	0	1	0	1	0	22	
11:30	1	5	1	0	0	0	1	0	0	3	0	0	2	0	2	0	15	
11:45	1	7	4	0	0	0	1	0	1	10	0	0	0	0	1	0	25	
12:00	0	4	0	0	1	1	0	0	2	2	0	0	1	0	2	0	13	
12:15	1	2	1	0	0	0	0	0	1	6	1	0	2	0	1	0	15	
12:30	0	7	0	0	1	0	1	0	2	5	0	0	2	1	1	0	20	
12:45	3	4	0	0	0	1	1	0	0	4	0	0	0	0	1	0	14	
13:00	1	6	1	0	1	0	0	0	1	11	1	0	0	0	3	0	25	
13:15	0	6	1	0	0	0	1	0	1	8	0	0	0	0	2	0	19	
13:30	0	4	2	0	1	0	1	0	1	8	0	0	0	0	1	0	18	
13:45	0	10	0	0	0	0	0	0	0	4	0	0	0	0	1	0	15	
14:00	0	9	3	0	0	0	0	0	2	3	0	0	1	0	2	0	20	
14:15	0	1	1	0	0	0	0	0	0	8	0	0	1	0	2	0	13	
14:30	1	1	1	0	0	0	0	0	2	2	0	0	0	0	2	0	9	
14:45	1	4	1	0	0	0	0	0	1	5	0	0	0	0	1	0	13	
15:00	1	3	1	0	0	0	0	0	0	4	0	0	1	0	1	2	11	
15:15	1	2	1	0	0	0	1	0	1	7	0	0	0	0	1	0	14	
15:30	0	1	0	0	0	0	1	0	1	5	0	0	0	0	1	0	9	
15:45	0	5	0	0	0	0	0	0	1	8	0	0	0	0	1	0	15	
16:00	0	3	1	0	0	0	1	0	1	6	0	0	0	0	1	1	13	
16:15	0	4	0	2	0	0	0	0	2	3	0	0	1	0	1	0	11	
16:30	1	3	1	0	0	0	1	0	0	9	0	0	1	0	1	0	17	
16:45	0	6	0	0	0	0	0	0	2	6	0	0	0	0	2	0	16	
17:00	1	4	1	0	0	0	1	0	1	5	0	0	1	0	1	0	15	
17:15	0	2	0	0	0	0	0	0	2	9	0	0	1	0	0	0	14	
17:30	0	3	0	0	0	0	1	0	0	10	0	0	0	0	1	0	15	
17:45	0	1	1	0	0	0	1	0	1	5	0	0	0	0	1	0	10	
18:00	1	6	1	0	0	0	0	0	2	3	0	0	1	0	0	0	14	
18:15	0	2	1	0	1	0	0	0	1	2	0	0	1	0	1	0	9	
18:30	1	1	0	0	0	0	0	0	2	3	0	0	1	1	0	0	9	
18:45	1	2	0	0	0	1	0	0	0	2	0	0	1	0	1	0	8	
Total	30	261	58	3	6	4	24	0	55	277	3	0	33	4	75	3	830	
Cars+	1399	11181	3396	2	630	463	1499	4	1604	11453	668	23	2476	450	1955	29	37174	
Trucks	30	261	58	3	6	4	24	0	55	277	3	0	33	4	75	3	830	
% Trucks	2.1	2.3	1.7	150.0	1.0	0.9	1.6	0.0	3.4	2.4	0.4	0.0	1.3	0.9	3.8	10.3	2.2	
	2.2				1.3				2.4				2.3					