

Location: TH 65 at I-694 North Ramp  
 Count Date: 4/27/2017  
 Counted By: JDA



**TURNING MOVEMENT COUNT DATA**

**All Vehicles**

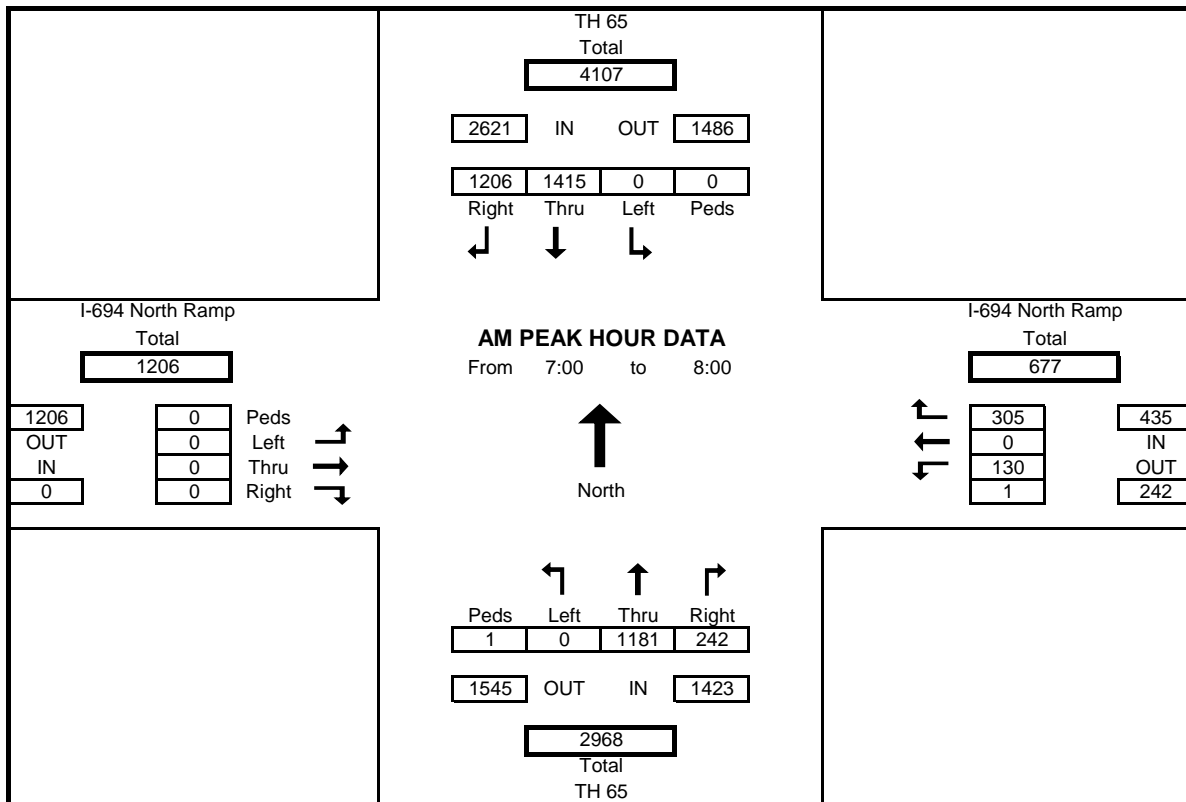
Start Time	TH 65				I-694 North Ramp				TH 65				I-694 North Ramp				Int. Total
	Southbound				Westbound				Northbound				Eastbound				
	Left	Thru	Right	Peds	Left	Thru	Right	Peds	Left	Thru	Right	Peds	Left	Thru	Right	Peds	
6:00	0	136	249	0	26	0	18	0	0	96	38	0	0	0	0	0	563
6:15	0	258	232	0	19	0	37	0	0	115	60	0	0	0	0	0	721
6:30	0	267	342	0	30	0	52	0	0	143	120	0	0	0	0	0	954
6:45	0	312	187	0	26	0	51	0	0	194	87	0	0	0	0	0	857
7:00	0	335	357	0	34	0	61	0	0	262	56	0	0	0	0	0	1105
7:15	0	372	251	0	17	0	82	0	0	283	73	0	0	0	0	0	1078
7:30	0	354	324	0	39	0	75	1	0	304	48	1	0	0	0	0	1144
7:45	0	354	274	0	40	0	87	0	0	332	65	0	0	0	0	0	1152
8:00	0	332	177	0	35	0	101	0	0	261	66	0	0	0	0	0	972
8:15	0	271	238	0	53	0	62	0	0	279	32	0	0	0	0	0	935
8:30	0	263	113	0	27	0	56	0	0	253	52	0	0	0	0	0	764
8:45	0	260	111	0	54	0	82	2	0	259	92	1	0	0	0	0	858
9:00	0	222	91	0	49	0	71	0	0	229	56	0	0	0	0	0	718
9:15	0	174	154	0	61	0	45	0	0	216	56	0	0	0	0	0	706
9:30	0	176	132	0	51	0	63	0	0	191	99	0	0	0	0	0	712
9:45	0	151	96	0	63	0	64	0	0	218	62	1	0	0	0	0	654
10:00	0	135	133	0	46	0	74	0	0	192	69	0	0	0	0	0	649
10:15	0	169	113	0	45	0	49	0	0	185	68	0	0	0	0	0	629
10:30	0	134	157	0	72	0	25	0	0	199	72	0	0	0	0	0	659
10:45	0	185	91	0	44	0	76	0	0	201	78	0	0	0	0	0	675
11:00	0	175	167	0	51	0	56	0	0	212	84	0	0	0	0	0	745
11:15	0	217	111	0	70	0	37	0	0	250	68	0	0	0	0	0	753
11:30	0	220	108	0	71	0	55	0	0	242	95	0	0	0	0	0	791
11:45	0	155	149	0	79	0	78	0	0	245	114	0	0	0	0	0	820
12:00	0	212	131	0	75	0	52	0	0	249	87	0	0	0	0	0	806
12:15	0	188	126	0	75	0	57	0	0	248	102	0	0	0	0	0	796
12:30	0	187	149	0	82	0	67	0	0	259	119	0	0	0	0	0	863
12:45	0	190	108	0	71	0	69	0	0	277	109	1	0	0	0	0	824
13:00	0	179	122	0	75	0	43	0	0	302	92	0	0	0	0	0	813
13:15	0	201	113	0	81	0	48	0	0	268	120	0	0	0	0	0	831
13:30	0	175	146	0	63	0	51	0	0	279	101	0	0	0	0	0	815
13:45	0	184	151	0	77	0	46	0	0	285	80	0	0	0	0	0	823
14:00	0	197	144	0	69	0	62	0	0	330	70	0	0	0	0	0	872
14:15	0	191	155	0	72	0	67	0	0	335	121	0	0	0	0	0	941
14:30	0	220	167	0	74	0	51	0	0	388	90	0	0	0	0	0	990
14:45	0	179	148	0	60	0	68	0	0	385	124	1	0	0	0	0	964
15:00	0	242	225	0	53	0	67	0	0	420	94	1	0	0	0	0	1101
15:15	0	207	207	0	71	0	52	0	0	444	84	0	0	0	0	0	1065
15:30	0	221	183	0	72	0	95	0	0	455	115	0	0	0	0	0	1141
15:45	0	216	168	0	67	0	48	0	0	514	64	0	0	0	0	0	1077
16:00	0	247	182	0	68	0	106	0	0	555	115	0	0	0	0	0	1273
16:15	0	222	200	0	52	0	119	0	0	539	105	1	0	0	0	0	1237
16:30	0	234	199	0	62	0	84	0	0	594	91	0	0	0	0	0	1264
16:45	0	217	197	0	66	0	66	0	0	635	68	0	0	0	0	0	1249
17:00	0	216	206	0	63	0	112	0	0	543	94	0	0	0	0	0	1234
17:15	0	243	188	0	58	0	78	0	0	559	105	1	0	0	0	0	1231
17:30	0	210	140	0	73	0	77	0	1	527	142	0	0	0	0	0	1170
17:45	0	185	139	0	79	0	99	0	0	455	123	0	0	0	0	0	1080
18:00	0	238	163	0	83	0	113	0	0	400	73	0	0	0	0	0	1070
18:15	0	194	149	0	60	0	122	0	0	369	133	1	0	0	0	0	1027
18:30	0	211	159	0	86	0	88	0	0	316	84	0	0	0	0	0	944
18:45	0	179	107	0	74	0	125	0	0	313	133	0	0	0	0	0	931
Total	0	11412	8829	0	3063	0	3589	3	1	16604	4548	9	0	0	0	0	48046
Cars+	0	11113	8520	0	2980	0	3334	3	1	16156	4424	6	0	0	0	0	46528
Trucks	0	299	309	0	83	0	255	0	0	448	124	3	0	0	0	0	1518
% Trucks	0.0	2.7	3.6	0.0	2.8	0.0	7.6	0.0	0.0	2.8	2.8	50.0	0.0	0.0	0.0	0.0	3.3
		3.1			5.4				2.8				0.0				

Location: TH 65 at I-694 North Ramp  
 Count Date: 4/27/2017  
 Counted By: JDA



**AM PEAK HOUR TURNING MOVEMENT DATA**  
 All Vehicles

Start Time	TH 65				I-694 North Ramp				TH 65				I-694 North Ramp				Int. Total
	Southbound				Westbound				Northbound				Eastbound				
	Left	Thru	Right	Peds	Left	Thru	Right	Peds	Left	Thru	Right	Peds	Left	Thru	Right	Peds	
7:00	0	335	357	0	34	0	61	0	0	262	56	0	0	0	0	0	1105
7:15	0	372	251	0	17	0	82	0	0	283	73	0	0	0	0	0	1078
7:30	0	354	324	0	39	0	75	1	0	304	48	1	0	0	0	0	1144
7:45	0	354	274	0	40	0	87	0	0	332	65	0	0	0	0	0	1152
Total	0	1415	1206	0	130	0	305	1	0	1181	242	1	0	0	0	0	4479
% App. Total	0.0	54.0	46.0	0.0	5.0	0.0	11.6	0.0	0.0	45.1	9.2	0.0	0.0	0.0	0.0	0.0	
PHF	0.000	0.951	0.845	0.000	0.813	0.000	0.876	0.250	0.000	0.889	0.829	0.250	0.000	0.000	0.000	0.000	0.972
% Trucks	0.0	2.5	2.1	0.0	4.0	0.0	8.9	0.0	0.0	2.7	4.3	0.0	0.0	0.0	0.0	0.0	3.0
	2.3				7.4				3.0				0.0				

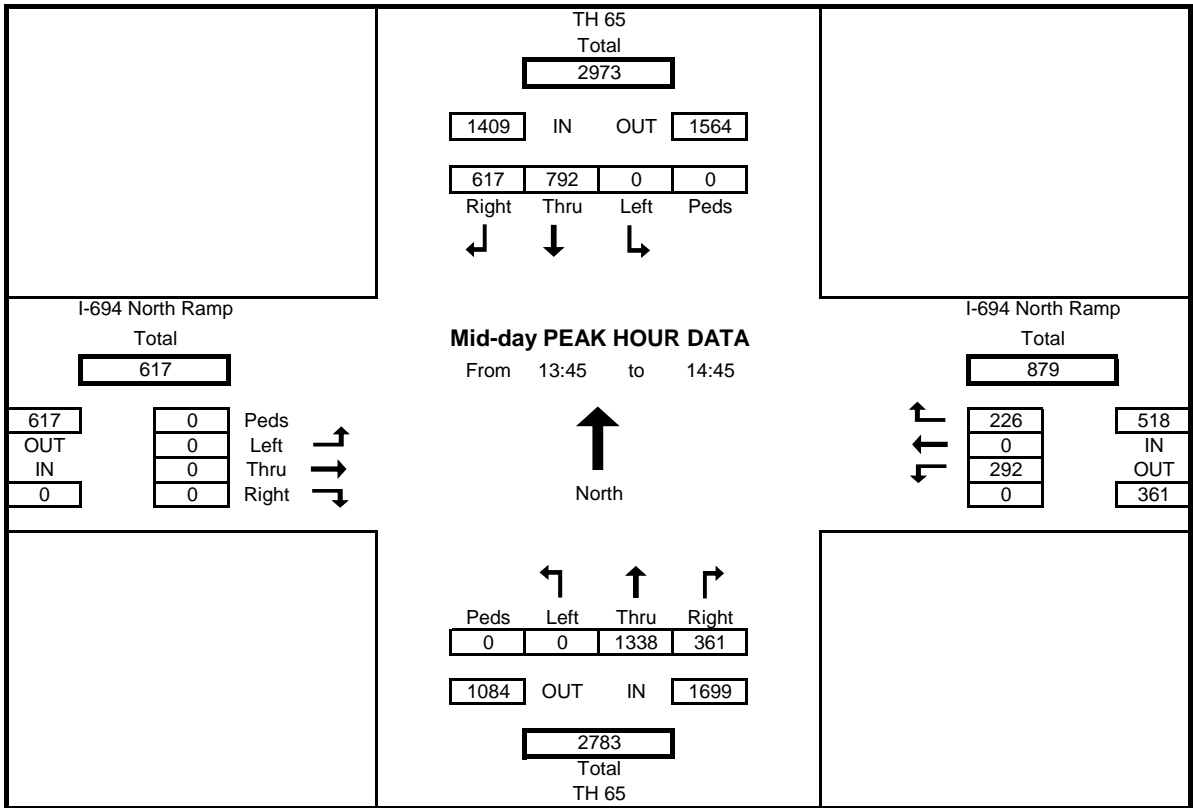


Location: TH 65 at I-694 North Ramp  
 Count Date: 4/27/2017  
 Counted By: JDA



**Mid-Day PEAK HOUR TURNING MOVEMENT DATA**  
 All Vehicles

Start Time	TH 65				I-694 North Ramp				TH 65				I-694 North Ramp				Int. Total
	Southbound				Westbound				Northbound				Eastbound				
	Left	Thru	Right	Peds	Left	Thru	Right	Peds	Left	Thru	Right	Peds	Left	Thru	Right	Peds	
13:45	0	184	151	0	77	0	46	0	0	285	80	0	0	0	0	0	823
14:00	0	197	144	0	69	0	62	0	0	330	70	0	0	0	0	0	872
14:15	0	191	155	0	72	0	67	0	0	335	121	0	0	0	0	0	941
14:30	0	220	167	0	74	0	51	0	0	388	90	0	0	0	0	0	990
Total	0	792	617	0	292	0	226	0	0	1338	361	0	0	0	0	0	3626
% App. Total	0.0	56.2	43.8	0.0	20.7	0.0	16.0	0.0	0.0	95.0	25.6	0.0	0.0	0.0	0.0	0.0	
PHF	0.000	0.900	0.924	0.000	0.948	0.000	0.843	0.000	0.000	0.862	0.746	0.000	0.000	0.000	0.000	0.000	0.916
% Trucks	0.0	3.7	6.0	0.0	2.8	0.0	18.3	0.0	0.0	3.0	1.7	0.0	0.0	0.0	0.0	0.0	4.3
	4.7				9.1				2.7				0.0				

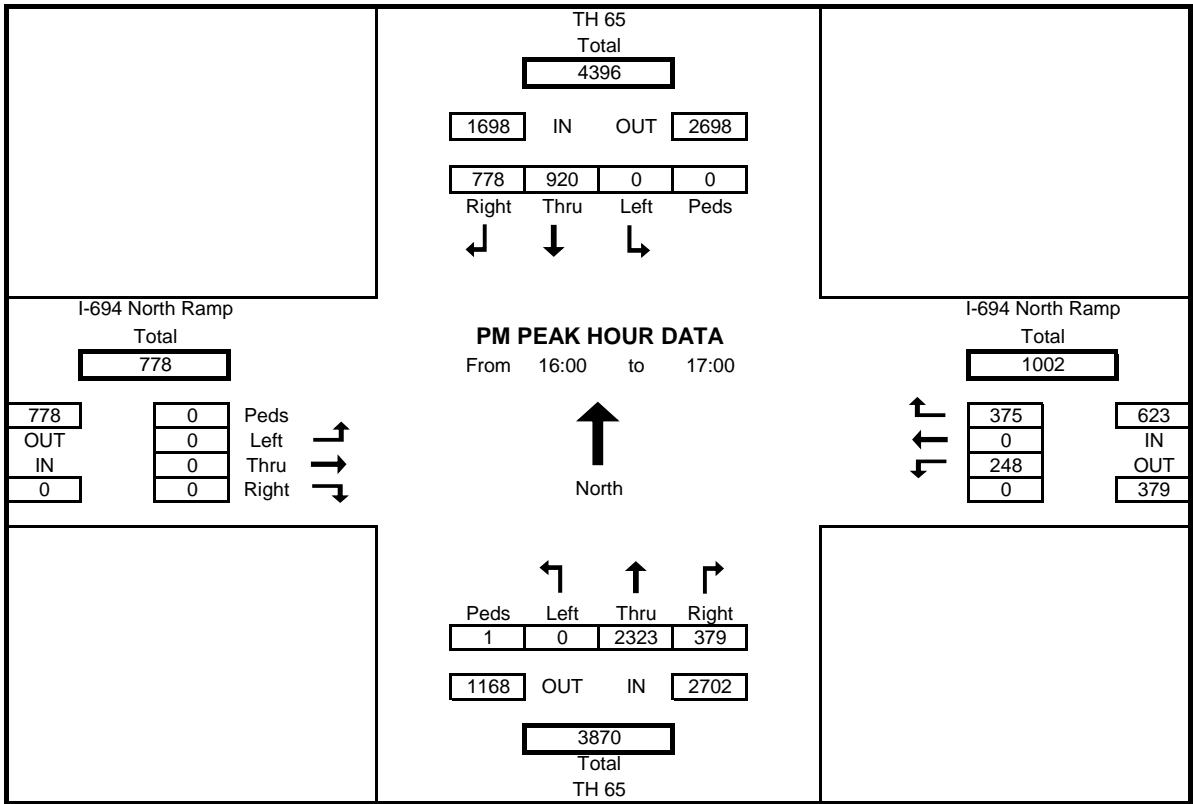


Location: TH 65 at I-694 North Ramp  
 Count Date: 4/27/2017  
 Counted By: JDA



**AM PEAK HOUR TURNING MOVEMENT DATA**  
 All Vehicles

Start Time	TH 65				I-694 North Ramp				TH 65				I-694 North Ramp				Int. Total
	Southbound				Westbound				Northbound				Eastbound				
	Left	Thru	Right	Peds	Left	Thru	Right	Peds	Left	Thru	Right	Peds	Left	Thru	Right	Peds	
16:00	0	247	182	0	68	0	106	0	0	555	115	0	0	0	0	0	1273
16:15	0	222	200	0	52	0	119	0	0	539	105	1	0	0	0	0	1237
16:30	0	234	199	0	62	0	84	0	0	594	91	0	0	0	0	0	1264
16:45	0	217	197	0	66	0	66	0	0	635	68	0	0	0	0	0	1249
Total	0	920	778	0	248	0	375	0	0	2323	379	1	0	0	0	0	5023
% App. Total	0.0	54.2	45.8	0.0	14.6	0.0	22.1	0.0	0.0	136.8	22.3	0.1	0.0	0.0	0.0	0.0	
PHF	0.000	0.931	0.973	0.000	0.912	0.000	0.788	0.000	0.000	0.915	0.824	0.250	0.000	0.000	0.000	0.000	0.986
% Trucks	0.0	1.2	1.0	0.0	2.5	0.0	5.0	0.0	0.0	1.8	5.0	#DIV/0!	0.0	0.0	0.0	0.0	2.1
	1.1				4.0				2.2				0.0				



Location: TH 65 at I-694 North Ramp  
 Count Date: 4/27/2017  
 Counted By: JDA



**TURNING MOVEMENT COUNT DATA**

Cars+

Start Time	TH 65				I-694 North Ramp				TH 65				I-694 North Ramp				Int. Total
	Southbound				Westbound				Northbound				Eastbound				
	Left	Thru	Right	Peds	Left	Thru	Right	Peds	Left	Thru	Right	Peds	Left	Thru	Right	Peds	
6:00	0	132	239	0	22	0	17	0	0	92	38	0	0	0	0	0	540
6:15	0	249	228	0	19	0	37	0	0	110	60	0	0	0	0	0	703
6:30	0	259	332	0	28	0	47	0	0	137	117	0	0	0	0	0	920
6:45	0	303	183	0	25	0	51	0	0	185	87	0	0	0	0	0	834
7:00	0	328	355	0	33	0	59	0	0	254	56	0	0	0	0	0	1085
7:15	0	362	244	0	17	0	77	0	0	274	71	0	0	0	0	0	1045
7:30	0	343	324	0	38	0	58	1	0	301	40	1	0	0	0	0	1104
7:45	0	347	258	0	37	0	86	0	0	321	65	0	0	0	0	0	1114
8:00	0	325	170	0	35	0	90	0	0	247	62	0	0	0	0	0	929
8:15	0	261	233	0	49	0	57	0	0	267	32	0	0	0	0	0	899
8:30	0	255	109	0	27	0	56	0	0	242	52	0	0	0	0	0	741
8:45	0	253	105	0	54	0	77	2	0	251	87	1	0	0	0	0	827
9:00	0	214	91	0	47	0	69	0	0	219	56	0	0	0	0	0	696
9:15	0	166	148	0	58	0	37	0	0	211	54	0	0	0	0	0	674
9:30	0	171	131	0	49	0	56	0	0	186	90	0	0	0	0	0	683
9:45	0	143	85	0	60	0	61	0	0	211	60	1	0	0	0	0	620
10:00	0	132	127	0	45	0	70	0	0	186	66	0	0	0	0	0	626
10:15	0	161	107	0	43	0	44	0	0	181	66	0	0	0	0	0	602
10:30	0	130	145	0	70	0	25	0	0	189	72	0	0	0	0	0	631
10:45	0	179	87	0	44	0	74	0	0	189	78	0	0	0	0	0	651
11:00	0	168	157	0	49	0	47	0	0	208	80	0	0	0	0	0	709
11:15	0	214	105	0	64	0	37	0	0	236	68	0	0	0	0	0	724
11:30	0	213	102	0	68	0	47	0	0	230	94	0	0	0	0	0	754
11:45	0	149	145	0	76	0	66	0	0	238	105	0	0	0	0	0	779
12:00	0	207	117	0	74	0	36	0	0	243	84	0	0	0	0	0	761
12:15	0	182	116	0	74	0	54	0	0	239	102	0	0	0	0	0	767
12:30	0	182	145	0	79	0	58	0	0	251	115	0	0	0	0	0	830
12:45	0	183	101	0	68	0	66	0	0	264	109	1	0	0	0	0	791
13:00	0	175	117	0	74	0	35	0	0	287	86	0	0	0	0	0	774
13:15	0	191	103	0	80	0	46	0	0	260	118	0	0	0	0	0	798
13:30	0	167	136	0	63	0	41	0	0	272	98	0	0	0	0	0	777
13:45	0	175	139	0	72	0	40	0	0	276	80	0	0	0	0	0	782
14:00	0	187	141	0	68	0	58	0	0	317	70	0	0	0	0	0	841
14:15	0	189	145	0	71	0	54	0	0	324	118	0	0	0	0	0	901
14:30	0	213	157	0	73	0	39	0	0	382	87	0	0	0	0	0	951
14:45	0	178	138	0	59	0	65	0	0	378	120	0	0	0	0	0	938
15:00	0	237	213	0	53	0	65	0	0	406	94	0	0	0	0	0	1068
15:15	0	204	199	0	70	0	51	0	0	432	82	0	0	0	0	0	1038
15:30	0	218	180	0	72	0	91	0	0	444	110	0	0	0	0	0	1115
15:45	0	214	159	0	66	0	47	0	0	506	64	0	0	0	0	0	1056
16:00	0	244	182	0	66	0	106	0	0	541	108	0	0	0	0	0	1247
16:15	0	219	199	0	50	0	105	0	0	536	96	0	0	0	0	0	1205
16:30	0	231	194	0	61	0	83	0	0	583	90	0	0	0	0	0	1242
16:45	0	215	195	0	65	0	63	0	0	623	67	0	0	0	0	0	1228
17:00	0	213	205	0	62	0	103	0	0	537	90	0	0	0	0	0	1210
17:15	0	239	184	0	57	0	78	0	0	542	104	1	0	0	0	0	1204
17:30	0	201	139	0	73	0	70	0	1	519	136	0	0	0	0	0	1139
17:45	0	182	137	0	78	0	99	0	0	449	121	0	0	0	0	0	1066
18:00	0	233	162	0	81	0	112	0	0	395	73	0	0	0	0	0	1056
18:15	0	193	142	0	57	0	117	0	0	365	129	1	0	0	0	0	1003
18:30	0	206	159	0	85	0	87	0	0	310	84	0	0	0	0	0	931
18:45	0	178	106	0	72	0	120	0	0	310	133	0	0	0	0	0	919
Total	0	11113	8520	0	2980	0	3334	3	1	16156	4424	6	0	0	0	0	46528
Cars+	0	11113	8520	0	2980	0	3334	3	1	16156	4424	6	0	0	0	0	46528
Trucks	0	299	309	0	83	0	255	0	0	448	124	3	0	0	0	0	1518
% Trucks	0.0	2.7	3.6	0.0	2.8	0.0	7.6	0.0	0.0	2.8	2.8	50.0	0.0	0.0	0.0	0.0	3.3
		3.1				5.4				2.8				0.0			

Location: TH 65 at I-694 North Ramp  
 Count Date: 4/27/2017  
 Counted By: JDA



**TURNING MOVEMENT COUNT DATA**  
**Heavy Vehicles**

Start Time	TH 65				I-694 North Ramp				TH 65				I-694 North Ramp				Int. Total
	Southbound				Westbound				Northbound				Eastbound				
	Left	Thru	Right	Peds	Left	Thru	Right	Peds	Left	Thru	Right	Peds	Left	Thru	Right	Peds	
6:00	0	4	10	0	4	0	1	0	0	4	0	0	0	0	0	0	23
6:15	0	9	4	0	0	0	0	0	0	5	0	0	0	0	0	0	18
6:30	0	8	10	0	2	0	5	0	0	6	3	0	0	0	0	0	34
6:45	0	9	4	0	1	0	0	0	0	9	0	0	0	0	0	0	23
7:00	0	7	2	0	1	0	2	0	0	8	0	0	0	0	0	0	20
7:15	0	10	7	0	0	0	5	0	0	9	2	0	0	0	0	0	33
7:30	0	11	0	0	1	0	17	0	0	3	8	0	0	0	0	0	40
7:45	0	7	16	0	3	0	1	0	0	11	0	0	0	0	0	0	38
8:00	0	7	7	0	0	0	11	0	0	14	4	0	0	0	0	0	43
8:15	0	10	5	0	4	0	5	0	0	12	0	0	0	0	0	0	36
8:30	0	8	4	0	0	0	0	0	0	11	0	0	0	0	0	0	23
8:45	0	7	6	0	0	0	5	0	0	8	5	0	0	0	0	0	31
9:00	0	8	0	0	2	0	2	0	0	10	0	0	0	0	0	0	22
9:15	0	8	6	0	3	0	8	0	0	5	2	0	0	0	0	0	32
9:30	0	5	1	0	2	0	7	0	0	5	9	0	0	0	0	0	29
9:45	0	8	11	0	3	0	3	0	0	7	2	0	0	0	0	0	34
10:00	0	3	6	0	1	0	4	0	0	6	3	0	0	0	0	0	23
10:15	0	8	6	0	2	0	5	0	0	4	2	0	0	0	0	0	27
10:30	0	4	12	0	2	0	0	0	0	10	0	0	0	0	0	0	28
10:45	0	6	4	0	0	0	2	0	0	12	0	0	0	0	0	0	24
11:00	0	7	10	0	2	0	9	0	0	4	4	0	0	0	0	0	36
11:15	0	3	6	0	6	0	0	0	0	14	0	0	0	0	0	0	29
11:30	0	7	6	0	3	0	8	0	0	12	1	0	0	0	0	0	37
11:45	0	6	4	0	3	0	12	0	0	7	9	0	0	0	0	0	41
12:00	0	5	14	0	1	0	16	0	0	6	3	0	0	0	0	0	45
12:15	0	6	10	0	1	0	3	0	0	9	0	0	0	0	0	0	29
12:30	0	5	4	0	3	0	9	0	0	8	4	0	0	0	0	0	33
12:45	0	7	7	0	3	0	3	0	0	13	0	0	0	0	0	0	33
13:00	0	4	5	0	1	0	8	0	0	15	6	0	0	0	0	0	39
13:15	0	10	10	0	1	0	2	0	0	8	2	0	0	0	0	0	33
13:30	0	8	10	0	0	0	10	0	0	7	3	0	0	0	0	0	38
13:45	0	9	12	0	5	0	6	0	0	9	0	0	0	0	0	0	41
14:00	0	10	3	0	1	0	4	0	0	13	0	0	0	0	0	0	31
14:15	0	2	10	0	1	0	13	0	0	11	3	0	0	0	0	0	40
14:30	0	7	10	0	1	0	12	0	0	6	3	0	0	0	0	0	39
14:45	0	1	10	0	1	0	3	0	0	7	4	1	0	0	0	0	26
15:00	0	5	12	0	0	0	2	0	0	14	0	1	0	0	0	0	33
15:15	0	3	8	0	1	0	1	0	0	12	2	0	0	0	0	0	27
15:30	0	3	3	0	0	0	4	0	0	11	5	0	0	0	0	0	26
15:45	0	2	9	0	1	0	1	0	0	8	0	0	0	0	0	0	21
16:00	0	3	0	0	2	0	0	0	0	14	7	0	0	0	0	0	26
16:15	0	3	1	0	2	0	14	0	0	3	9	1	0	0	0	0	32
16:30	0	3	5	0	1	0	1	0	0	11	1	0	0	0	0	0	22
16:45	0	2	2	0	1	0	3	0	0	12	1	0	0	0	0	0	21
17:00	0	3	1	0	1	0	9	0	0	6	4	0	0	0	0	0	24
17:15	0	4	4	0	1	0	0	0	0	17	1	0	0	0	0	0	27
17:30	0	9	1	0	0	0	7	0	0	8	6	0	0	0	0	0	31
17:45	0	3	2	0	1	0	0	0	0	6	2	0	0	0	0	0	14
18:00	0	5	1	0	2	0	1	0	0	5	0	0	0	0	0	0	14
18:15	0	1	7	0	3	0	5	0	0	4	4	0	0	0	0	0	24
18:30	0	5	0	0	1	0	1	0	0	6	0	0	0	0	0	0	13
18:45	0	1	1	0	2	0	5	0	0	3	0	0	0	0	0	0	12
Total	0	299	309	0	83	0	255	0	0	448	124	3	0	0	0	0	1518
Cars+	0	11113	8520	0	2980	0	3334	3	1	16156	4424	6	0	0	0	0	46528
Trucks	0	299	309	0	83	0	255	0	0	448	124	3	0	0	0	0	1518
% Trucks	0.0	2.7	3.6	0.0	2.8	0.0	7.6	0.0	0.0	2.8	2.8	50.0	0.0	0.0	0.0	0.0	3.3
		3.1				5.4				2.8				0.0			