



# MINNESOTA DEPT OF TRANSPORTATION

## TRAFFIC DATA COLLECTION - METRO

loc: th 65 @ 81st ave ne 2003  
 ref pt: 009+00.682  
 data collected by: alliant eng  
 tmc: am noon pm

File Name : T.H. 65 at 81st  
 Site Code : 00000017  
 Start Date : 8/14/2003  
 Page No : 1

**Groups Printed- Unshifted**

Start Time	T.H. 65 Southbound					81st Ave. NE Westbound					T.H. 65 Northbound					81st Ave. NE Eastbound					Int. Total
	Left	Thru	Right	Peds	App. Total	Left	Thru	Right	Peds	App. Total	Left	Thru	Right	Peds	App. Total	Left	Thru	Right	Peds	App. Total	
06:00	15	323	22	0	360	2	0	2	0	4	6	62	5	0	73	13	10	15	1	39	476
06:15	22	483	21	0	526	4	3	16	0	23	5	68	6	0	79	15	6	14	1	36	664
06:30	24	519	27	0	570	3	5	14	1	23	6	117	12	0	135	22	10	24	1	57	785
06:45	22	479	32	0	533	0	5	6	1	12	8	111	1	1	121	23	14	23	1	61	727
Total	83	1804	102	0	1989	9	13	38	2	62	25	358	24	1	408	73	40	76	4	193	2652
07:00	35	476	23	1	535	8	16	17	0	41	5	122	11	0	138	24	19	25	2	70	784
07:15	30	557	45	0	632	11	7	14	1	33	7	142	8	0	157	25	17	23	1	66	888
07:30	36	487	47	0	570	8	18	13	0	39	14	133	19	0	166	24	23	24	2	73	848
07:45	34	472	37	0	543	7	11	19	1	38	9	161	17	0	187	31	26	22	0	79	847
Total	135	1992	152	1	2280	34	52	63	2	151	35	558	55	0	648	104	85	94	5	288	3367
08:00	31	379	24	0	434	5	10	15	0	30	10	132	12	0	154	21	12	20	0	53	671
08:15	28	323	22	0	373	4	21	18	1	44	14	154	9	0	177	23	13	28	0	64	658
08:30	28	320	40	0	388	3	14	22	2	41	17	151	10	0	178	31	11	16	0	58	665
08:45	33	261	31	0	325	5	13	11	0	29	25	175	14	0	214	39	17	30	2	88	656
Total	120	1283	117	0	1520	17	58	66	3	144	66	612	45	0	723	114	53	94	2	263	2650
11:00	16	187	29	0	232	7	24	24	0	55	25	198	7	0	230	38	21	27	2	88	605
11:15	23	272	28	0	323	9	31	43	0	83	28	226	15	0	269	32	20	27	3	82	757
11:30	26	211	31	0	268	12	25	22	0	59	37	218	23	0	278	54	37	27	1	119	724
11:45	32	245	38	0	315	9	31	38	0	78	22	284	14	0	320	34	19	31	0	84	797
Total	97	915	126	0	1138	37	111	127	0	275	112	926	59	0	1097	158	97	112	6	373	2883
12:00	32	223	40	0	295	21	42	28	1	92	27	213	20	0	260	54	31	33	0	118	765
12:15	27	228	33	0	288	9	28	21	0	58	30	217	12	0	259	49	27	20	0	96	701
12:30	30	230	30	0	290	10	18	28	1	57	28	218	8	0	254	53	28	23	3	107	708
12:45	38	220	30	1	289	13	23	25	2	63	35	227	19	0	281	45	41	32	0	118	751
Total	127	901	133	1	1162	53	111	102	4	270	120	875	59	0	1054	201	127	108	3	439	2925



# MINNESOTA DEPT OF TRANSPORTATION

## TRAFFIC DATA COLLECTION - METRO

File Name : T.H. 65 at 81st  
 Site Code : 00000017  
 Start Date : 8/14/2003  
 Page No : 2

**Groups Printed- Unshifted**

Start Time	T.H. 65 Southbound					81st Ave. NE Westbound					T.H. 65 Northbound					81st Ave. NE Eastbound					Int. Total
	Left	Thru	Right	Peds	App. Total	Left	Thru	Right	Peds	App. Total	Left	Thru	Right	Peds	App. Total	Left	Thru	Right	Peds	App. Total	
15:00	21	218	23	0	262	13	24	67	0	104	25	355	9	0	389	49	23	29	4	105	860
15:15	20	251	26	0	297	8	24	47	3	82	24	379	14	0	417	38	30	21	0	89	885
15:30	25	193	33	0	251	13	37	71	1	122	27	370	13	0	410	48	24	26	3	101	884
15:45	30	240	30	0	300	9	26	56	0	91	32	466	18	0	516	37	17	19	0	73	980
<b>Total</b>	<b>96</b>	<b>902</b>	<b>112</b>	<b>0</b>	<b>1110</b>	<b>43</b>	<b>111</b>	<b>241</b>	<b>4</b>	<b>399</b>	<b>108</b>	<b>1570</b>	<b>54</b>	<b>0</b>	<b>1732</b>	<b>172</b>	<b>94</b>	<b>95</b>	<b>7</b>	<b>368</b>	<b>3609</b>
16:00	30	233	40	0	303	7	28	76	3	114	24	408	6	0	438	48	29	23	0	100	955
16:15	26	235	30	0	291	11	23	65	0	99	21	511	13	0	545	36	18	28	1	83	1018
16:30	28	206	28	0	262	15	42	131	1	189	26	380	13	0	419	71	28	19	0	118	988
16:45	33	237	34	0	304	11	27	85	0	123	23	465	9	0	497	42	19	21	0	82	1006
<b>Total</b>	<b>117</b>	<b>911</b>	<b>132</b>	<b>0</b>	<b>1160</b>	<b>44</b>	<b>120</b>	<b>357</b>	<b>4</b>	<b>525</b>	<b>94</b>	<b>1764</b>	<b>41</b>	<b>0</b>	<b>1899</b>	<b>197</b>	<b>94</b>	<b>91</b>	<b>1</b>	<b>383</b>	<b>3967</b>
17:00	29	178	20	0	227	12	37	115	4	168	22	417	13	0	452	41	28	11	0	80	927
17:15	33	232	52	4	321	9	28	83	1	121	23	454	7	0	484	43	16	16	3	78	1004
17:30	25	193	35	1	254	9	26	57	1	93	33	455	12	0	500	55	21	14	0	90	937
17:45	23	239	34	0	296	6	18	43	0	67	28	396	15	0	439	44	24	25	1	94	896
<b>Total</b>	<b>110</b>	<b>842</b>	<b>141</b>	<b>5</b>	<b>1098</b>	<b>36</b>	<b>109</b>	<b>298</b>	<b>6</b>	<b>449</b>	<b>106</b>	<b>1722</b>	<b>47</b>	<b>0</b>	<b>1875</b>	<b>183</b>	<b>89</b>	<b>66</b>	<b>4</b>	<b>342</b>	<b>3764</b>
Grand Total	885	9550	1015	7	11457	273	685	1292	25	2275	666	8385	384	1	9436	1202	679	736	32	2649	25817
Apprch %	7.7	83.4	8.9	0.1		12	30.1	56.8	1.1		7.1	88.9	4.1	0		45.4	25.6	27.8	1.2		
Total %	3.4	37	3.9	0	44.4	1.1	2.7	5	0.1	8.8	2.6	32.5	1.5	0	36.5	4.7	2.6	2.9	0.1	10.3	

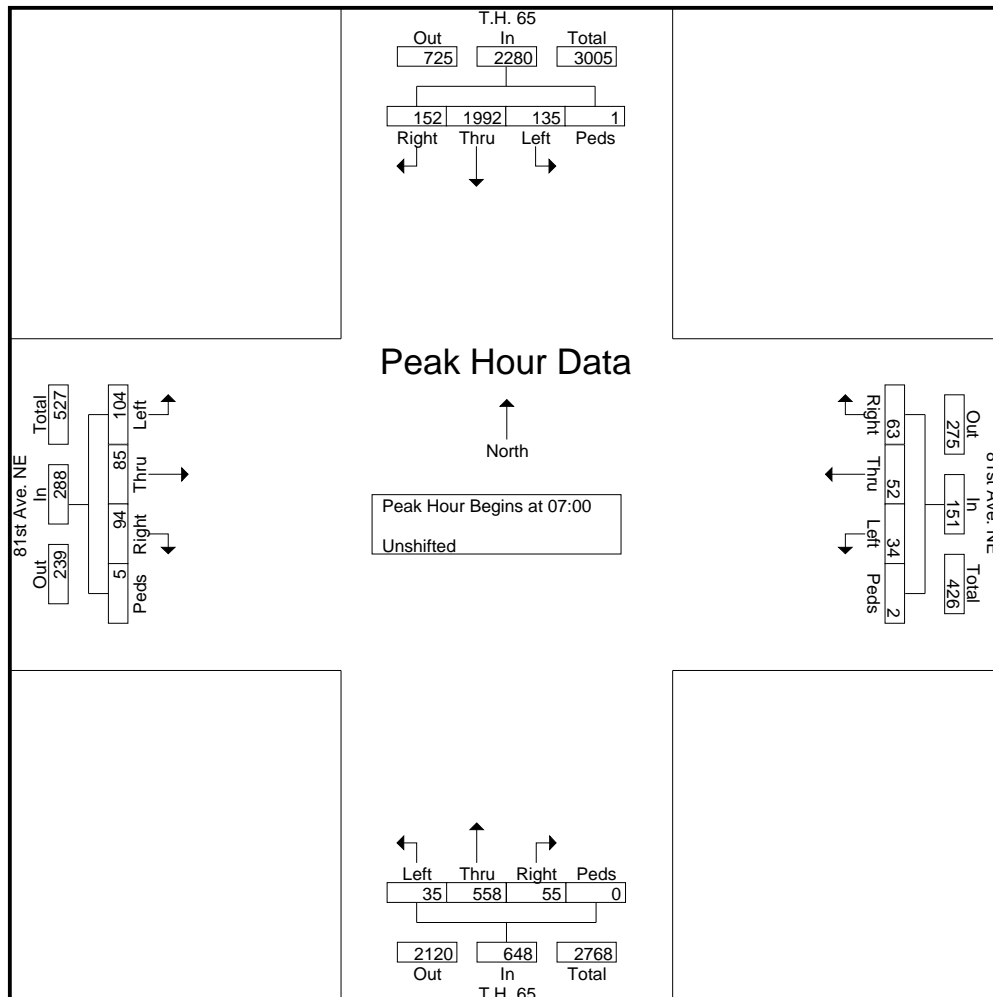


# MINNESOTA DEPT OF TRANSPORTATION

## TRAFFIC DATA COLLECTION - METRO

File Name : T.H. 65 at 81st  
 Site Code : 00000017  
 Start Date : 8/14/2003  
 Page No : 3

Start Time	T.H. 65 Southbound					81st Ave. NE Westbound					T.H. 65 Northbound					81st Ave. NE Eastbound					Int. Total
	Left	Thru	Right	Peds	App. Total	Left	Thru	Right	Peds	App. Total	Left	Thru	Right	Peds	App. Total	Left	Thru	Right	Peds	App. Total	
Peak Hour Analysis From 06:00 to 09:45 - Peak 1 of 1																					
Peak Hour for Entire Intersection Begins at 07:00																					
07:00	35	476	23	1	535	8	16	17	0	41	5	122	11	0	138	24	19	25	2	70	784
07:15	30	557	45	0	632	11	7	14	1	33	7	142	8	0	157	25	17	23	1	66	888
07:30	36	487	47	0	570	8	18	13	0	39	14	133	19	0	166	24	23	24	2	73	848
07:45	34	472	37	0	543	7	11	19	1	38	9	161	17	0	187	31	26	22	0	79	847
Total Volume	135	1992	152	1	2280	34	52	63	2	151	35	558	55	0	648	104	85	94	5	288	3367
% App. Total	5.9	87.4	6.7	0		22.5	34.4	41.7	1.3		5.4	86.1	8.5	0		36.1	29.5	32.6	1.7		
PHF	.938	.894	.809	.250	.902	.773	.722	.829	.500	.921	.625	.866	.724	.000	.866	.839	.817	.940	.625	.911	.948



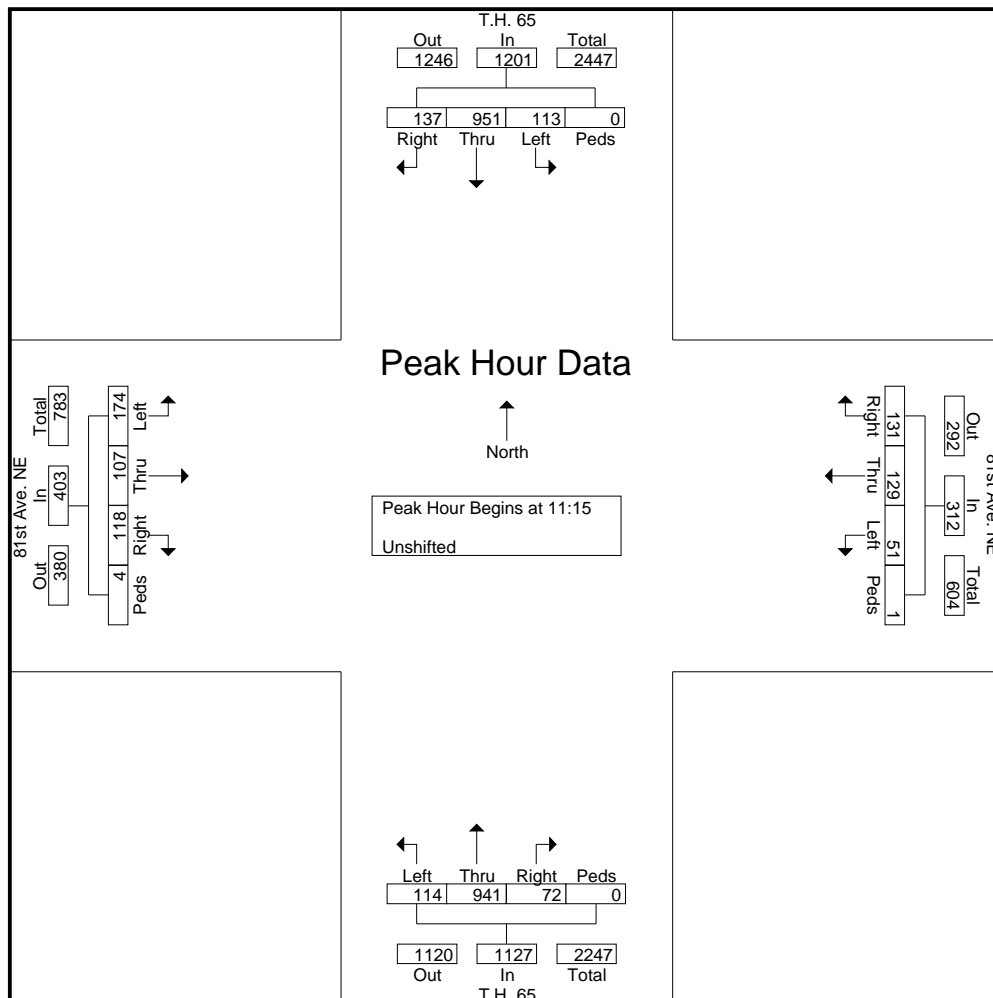


# MINNESOTA DEPT OF TRANSPORTATION

## TRAFFIC DATA COLLECTION - METRO

File Name : T.H. 65 at 81st  
 Site Code : 00000017  
 Start Date : 8/14/2003  
 Page No : 4

Start Time	T.H. 65 Southbound					81st Ave. NE Westbound					T.H. 65 Northbound					81st Ave. NE Eastbound					Int. Total
	Left	Thru	Right	Peds	App. Total	Left	Thru	Right	Peds	App. Total	Left	Thru	Right	Peds	App. Total	Left	Thru	Right	Peds	App. Total	
Peak Hour Analysis From 10:00 to 13:45 - Peak 1 of 1																					
Peak Hour for Entire Intersection Begins at 11:15																					
11:15	23	<b>272</b>	28	0	<b>323</b>	9	31	<b>43</b>	0	83	28	226	15	0	269	32	20	27	<b>3</b>	82	<b>757</b>
11:30	26	211	31	0	268	12	25	22	0	59	<b>37</b>	218	<b>23</b>	0	278	<b>54</b>	<b>37</b>	27	1	<b>119</b>	<b>724</b>
11:45	<b>32</b>	245	38	0	315	9	31	38	0	78	22	<b>284</b>	14	0	<b>320</b>	34	19	31	0	84	<b>797</b>
12:00	32	223	<b>40</b>	0	295	<b>21</b>	<b>42</b>	28	<b>1</b>	<b>92</b>	27	213	20	0	260	54	31	<b>33</b>	0	118	<b>765</b>
Total Volume	113	951	137	0	1201	51	129	131	1	312	114	941	72	0	1127	174	107	118	4	403	3043
% App. Total	<b>9.4</b>	79.2	11.4	0		16.3	41.3	<b>42</b>	<b>0.3</b>		10.1	83.5	<b>6.4</b>	<b>0</b>		43.2	26.6	29.3	<b>1</b>		
PHF	.883	.874	.856	.000	.930	.607	.768	.762	.250	.848	.770	.828	.783	.000	.880	.806	.723	.894	.333	.847	.955





# MINNESOTA DEPT OF TRANSPORTATION

## TRAFFIC DATA COLLECTION - METRO

File Name : T.H. 65 at 81st  
 Site Code : 00000017  
 Start Date : 8/14/2003  
 Page No : 5

Start Time	T.H. 65 Southbound					81st Ave. NE Westbound					T.H. 65 Northbound					81st Ave. NE Eastbound					Int. Total
	Left	Thru	Right	Peds	App. Total	Left	Thru	Right	Peds	App. Total	Left	Thru	Right	Peds	App. Total	Left	Thru	Right	Peds	App. Total	
Peak Hour Analysis From 14:00 to 17:45 - Peak 1 of 1																					
Peak Hour for Entire Intersection Begins at 16:00																					
16:00	30	233	<b>40</b>	0	303	7	28	76	<b>3</b>	114	24	408	6	0	438	48	<b>29</b>	23	0	100	955
16:15	26	235	30	0	291	11	23	65	0	99	21	<b>511</b>	<b>13</b>	0	<b>545</b>	36	18	<b>28</b>	<b>1</b>	83	<b>1018</b>
16:30	28	206	28	0	262	<b>15</b>	<b>42</b>	<b>131</b>	1	<b>189</b>	<b>26</b>	380	13	0	419	<b>71</b>	28	19	0	<b>118</b>	988
16:45	<b>33</b>	<b>237</b>	34	0	<b>304</b>	11	27	85	0	123	23	465	9	0	497	42	19	21	0	82	1006
Total Volume	117	911	132	0	1160	44	120	357	4	525	94	1764	41	0	1899	197	94	91	1	383	3967
% App. Total	10.1	78.5	11.4	0		8.4	22.9	68	0.8		4.9	92.9	2.2	0		51.4	24.5	23.8	0.3		
PHF	.886	.961	.825	.000	.954	.733	.714	.681	.333	.694	.904	.863	.788	.000	.871	.694	.810	.813	.250	.811	.974

