

Location: TH 65 at 85th Avenue  
 Count Date: 4/11/2017  
 Counted By: JDA



**TURNING MOVEMENT COUNT DATA**  
 All Vehicles

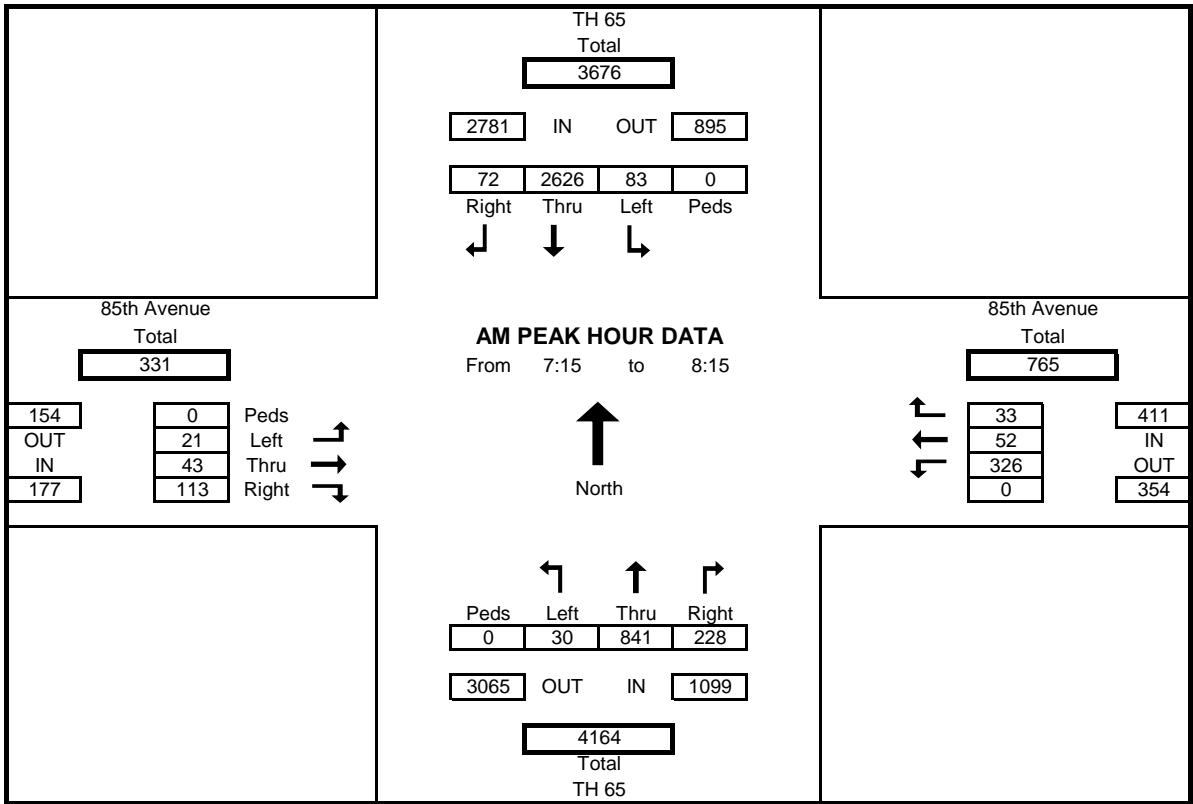
Start Time	TH 65				85th Avenue				TH 65				85th Avenue				Int. Total
	Southbound				Westbound				Northbound				Eastbound				
	Left	Thru	Right	Peds	Left	Thru	Right	Peds	Left	Thru	Right	Peds	Left	Thru	Right	Peds	
6:00	7	443	26	0	44	1	0	0	1	102	18	0	6	0	14	0	662
6:15	11	665	17	0	45	5	4	0	0	102	21	0	2	5	26	0	903
6:30	12	697	15	0	91	12	4	0	3	185	29	1	3	4	17	0	1072
6:45	12	698	12	0	84	10	3	0	5	138	27	0	7	11	14	0	1021
7:00	13	667	11	0	6	10	5	0	8	211	37	0	3	5	12	0	988
7:15	20	637	18	0	97	13	11	0	11	184	35	0	5	16	23	0	1070
7:30	19	735	25	0	69	14	6	0	5	227	57	0	5	10	28	0	1200
7:45	16	685	17	0	102	15	7	0	9	240	66	0	6	8	38	0	1209
8:00	28	569	12	0	58	10	9	0	5	190	70	0	5	9	24	0	989
8:15	13	477	16	0	51	9	3	0	8	232	53	0	2	13	21	0	898
8:30	21	417	11	0	63	18	12	0	12	200	37	0	4	10	19	0	824
8:45	15	411	12	0	48	4	10	0	5	255	62	0	9	1	16	0	848
9:00	18	352	11	0	49	9	13	0	4	211	61	0	6	1	8	0	743
9:15	9	268	7	0	30	1	10	0	9	202	42	0	3	3	15	0	599
9:30	12	280	5	0	49	6	8	0	9	227	33	0	3	7	9	0	648
9:45	16	269	10	0	36	7	5	0	12	220	39	0	6	2	15	0	637
10:00	14	209	8	0	55	7	18	0	6	227	32	0	3	6	11	0	596
10:15	15	248	3	0	24	7	17	0	8	236	40	0	6	4	12	0	620
10:30	12	230	7	0	41	7	13	0	2	207	35	0	4	5	13	0	576
10:45	13	213	14	0	37	9	14	0	12	246	35	0	2	4	8	0	607
11:00	26	227	19	1	26	6	11	0	11	253	24	0	8	10	18	0	639
11:15	20	250	11	3	44	15	21	0	15	282	31	0	6	4	9	0	708
11:30	18	277	17	1	46	13	27	0	10	250	45	0	12	5	10	0	730
11:45	27	244	20	1	48	15	17	0	17	253	46	0	9	9	17	0	722
12:00	23	242	12	0	30	8	24	0	11	274	49	0	7	8	20	0	708
12:15	26	263	9	0	36	11	15	0	17	309	43	0	6	12	13	0	760
12:30	20	271	8	0	41	7	21	0	8	287	53	0	10	9	19	0	754
12:45	28	235	13	0	43	9	22	0	12	283	49	0	11	4	12	0	721
13:00	17	244	11	0	48	10	15	0	7	292	49	0	7	8	16	0	724
13:15	16	229	11	0	34	9	15	0	8	311	44	0	10	7	13	0	707
13:30	13	255	6	1	38	9	16	0	12	327	62	1	10	11	6	0	765
13:45	11	246	9	0	39	9	12	0	9	323	55	0	17	2	15	0	747
14:00	24	221	7	0	50	15	26	0	10	334	59	0	7	3	12	0	768
14:15	21	264	6	2	32	11	29	0	13	459	45	0	3	3	12	0	898
14:30	17	266	8	1	48	8	19	0	11	447	66	0	16	10	13	0	929
14:45	26	279	9	0	37	4	24	0	10	465	80	0	8	3	15	0	960
15:00	15	263	10	0	62	16	21	0	7	603	82	0	8	4	16	0	1107
15:15	31	266	10	0	46	15	26	0	9	493	76	0	11	5	17	0	1005
15:30	20	299	14	0	63	10	24	0	11	639	67	0	6	3	19	0	1175
15:45	26	273	10	0	66	13	25	0	10	497	75	0	12	8	10	0	1025
16:00	22	301	20	0	45	16	20	0	19	658	113	0	10	4	14	0	1242
16:15	13	288	13	0	68	4	20	0	17	632	93	0	14	7	18	0	1187
16:30	17	272	14	0	89	12	22	0	12	602	121	0	6	10	10	0	1187
16:45	15	315	11	0	56	13	16	0	14	667	116	0	4	8	16	0	1251
17:00	20	303	14	4	88	21	20	0	16	593	79	0	6	6	14	0	1180
17:15	17	300	15	0	46	17	8	0	22	663	106	0	8	8	12	0	1222
17:30	11	294	16	0	64	13	12	0	15	565	91	0	7	7	14	0	1109
17:45	11	265	12	0	42	15	21	0	9	468	62	0	8	8	18	0	939
18:00	19	266	13	0	40	7	8	0	11	472	79	0	10	6	15	0	946
18:15	11	266	10	3	39	13	7	0	7	391	59	0	6	7	14	0	830
18:30	21	254	9	0	43	13	11	0	6	351	72	0	7	5	8	0	800
18:45	20	224	11	0	21	5	13	0	10	381	41	0	3	4	12	0	745
Total	918	17632	635	17	2597	536	760	0	510	17866	2961	2	363	332	790	0	45900
Cars+	862	17174	605	17	2471	488	719	0	486	17374	2745	1	339	307	758	0	44328
Trucks	56	458	30	0	126	48	41	0	24	492	216	1	24	25	32	0	1572
% Trucks	6.5	2.7	5.0	0.0	5.1	9.8	5.7	0.0	4.9	2.8	7.9	100.0	7.1	8.1	4.2	0.0	3.5
	2.9				5.8				3.6				5.8				

Location: TH 65 at 85th Avenue  
 Count Date: 4/11/2017  
 Counted By: JDA



**AM PEAK HOUR TURNING MOVEMENT DATA**  
 All Vehicles

Start Time	TH 65				85th Avenue				TH 65				85th Avenue				Int. Total
	Southbound				Westbound				Northbound				Eastbound				
	Left	Thru	Right	Peds	Left	Thru	Right	Peds	Left	Thru	Right	Peds	Left	Thru	Right	Peds	
7:15	20	637	18	0	97	13	11	0	11	184	35	0	5	16	23	0	1070
7:30	19	735	25	0	69	14	6	0	5	227	57	0	5	10	28	0	1200
7:45	16	685	17	0	102	15	7	0	9	240	66	0	6	8	38	0	1209
8:00	28	569	12	0	58	10	9	0	5	190	70	0	5	9	24	0	989
<b>Total</b>	<b>83</b>	<b>2626</b>	<b>72</b>	<b>0</b>	<b>326</b>	<b>52</b>	<b>33</b>	<b>0</b>	<b>30</b>	<b>841</b>	<b>228</b>	<b>0</b>	<b>21</b>	<b>43</b>	<b>113</b>	<b>0</b>	<b>4468</b>
% App. Total	3.0	94.4	2.6	0.0	11.7	1.9	1.2	0.0	1.1	30.2	8.2	0.0	0.8	1.5	4.1	0.0	
PHF	0.741	0.893	0.720	0.000	0.799	0.867	0.750	0.000	0.682	0.876	0.814	0.000	0.875	0.672	0.743	0.000	0.924
% Trucks	7.8	2.1	10.8	0.0	3.8	6.1	13.8	0.0	11.1	4.3	15.2	0.0	10.5	13.2	6.6	0.0	3.9
			2.5				4.8				6.6				8.6		

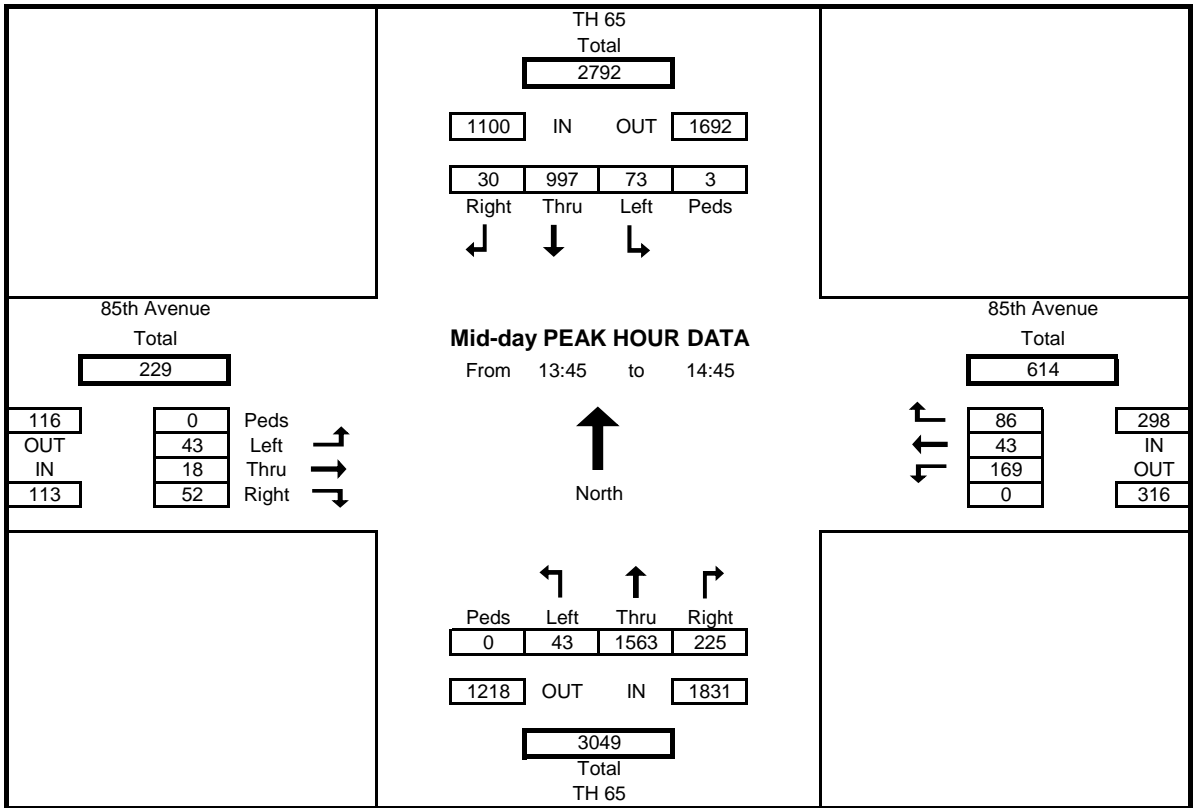


Location: TH 65 at 85th Avenue  
 Count Date: 4/11/2017  
 Counted By: JDA



**Mid-Day PEAK HOUR TURNING MOVEMENT DATA**  
 All Vehicles

Start Time	TH 65				85th Avenue				TH 65				85th Avenue				Int. Total
	Southbound				Westbound				Northbound				Eastbound				
	Left	Thru	Right	Peds	Left	Thru	Right	Peds	Left	Thru	Right	Peds	Left	Thru	Right	Peds	
13:45	11	246	9	0	39	9	12	0	9	323	55	0	17	2	15	0	747
14:00	24	221	7	0	50	15	26	0	10	334	59	0	7	3	12	0	768
14:15	21	264	6	2	32	11	29	0	13	459	45	0	3	3	12	0	898
14:30	17	266	8	1	48	8	19	0	11	447	66	0	16	10	13	0	929
<b>Total</b>	<b>73</b>	<b>997</b>	<b>30</b>	<b>3</b>	<b>169</b>	<b>43</b>	<b>86</b>	<b>0</b>	<b>43</b>	<b>1563</b>	<b>225</b>	<b>0</b>	<b>43</b>	<b>18</b>	<b>52</b>	<b>0</b>	<b>3342</b>
<b>% App. Total</b>	<b>6.6</b>	<b>90.4</b>	<b>2.7</b>	<b>0.3</b>	<b>15.3</b>	<b>3.9</b>	<b>7.8</b>	<b>0.0</b>	<b>3.9</b>	<b>141.7</b>	<b>20.4</b>	<b>0.0</b>	<b>3.9</b>	<b>1.6</b>	<b>4.7</b>	<b>0.0</b>	
<b>PHF</b>	<b>0.760</b>	<b>0.937</b>	<b>0.833</b>	<b>0.375</b>	<b>0.845</b>	<b>0.717</b>	<b>0.741</b>	<b>0.000</b>	<b>0.827</b>	<b>0.851</b>	<b>0.852</b>	<b>0.000</b>	<b>0.632</b>	<b>0.450</b>	<b>0.867</b>	<b>0.000</b>	<b>0.899</b>
<b>% Trucks</b>	<b>5.8</b>	<b>3.1</b>	<b>3.4</b>	<b>0.0</b>	<b>6.3</b>	<b>48.3</b>	<b>6.2</b>	<b>0.0</b>	<b>7.5</b>	<b>2.4</b>	<b>4.2</b>	<b>0.0</b>	<b>4.9</b>	<b>12.5</b>	<b>2.0</b>	<b>0.0</b>	
		<b>3.3</b>				<b>10.8</b>				<b>2.7</b>				<b>4.6</b>			<b>3.7</b>

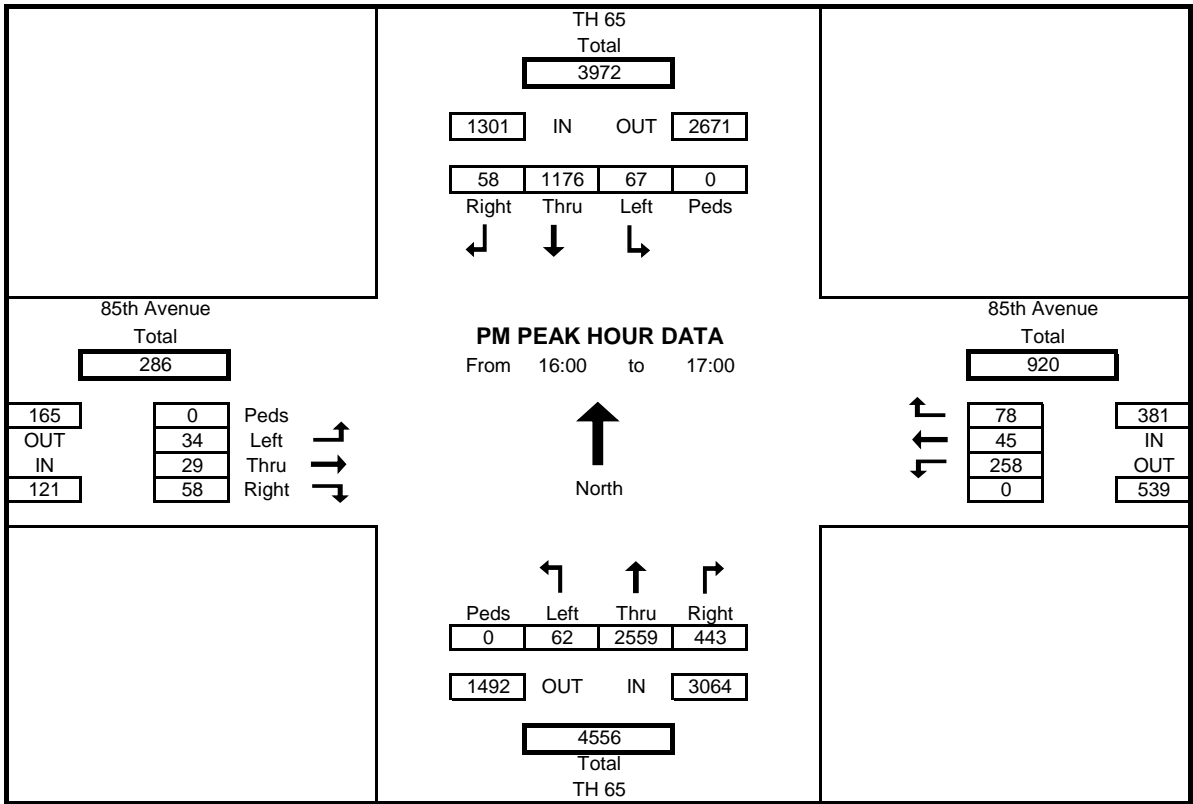


Location: TH 65 at 85th Avenue  
 Count Date: 4/11/2017  
 Counted By: JDA



**AM PEAK HOUR TURNING MOVEMENT DATA**  
 All Vehicles

Start Time	TH 65				85th Avenue				TH 65				85th Avenue				Int. Total
	Southbound				Westbound				Northbound				Eastbound				
	Left	Thru	Right	Peds	Left	Thru	Right	Peds	Left	Thru	Right	Peds	Left	Thru	Right	Peds	
16:00	22	301	20	0	45	16	20	0	19	658	113	0	10	4	14	0	1242
16:15	13	288	13	0	68	4	20	0	17	632	93	0	14	7	18	0	1187
16:30	17	272	14	0	89	12	22	0	12	602	121	0	6	10	10	0	1187
16:45	15	315	11	0	56	13	16	0	14	667	116	0	4	8	16	0	1251
<b>Total</b>	<b>67</b>	<b>1176</b>	<b>58</b>	<b>0</b>	<b>258</b>	<b>45</b>	<b>78</b>	<b>0</b>	<b>62</b>	<b>2559</b>	<b>443</b>	<b>0</b>	<b>34</b>	<b>29</b>	<b>58</b>	<b>0</b>	<b>4867</b>
% App. Total	5.1	90.4	4.5	0.0	19.8	3.5	6.0	0.0	4.8	196.7	34.1	0.0	2.6	2.2	4.5	0.0	
PHF	0.761	0.933	0.725	0.000	0.725	0.703	0.886	0.000	0.816	0.959	0.915	0.000	0.607	0.725	0.806	0.000	0.973
% Trucks	11.7	2.3	1.8	0.0	1.6	7.1	2.6	0.0	1.6	1.5	6.5	0.0	9.7	11.5	1.8	0.0	2.5
	2.8				2.4				2.2				6.1				



Location: TH 65 at 85th Avenue  
 Count Date: 4/11/2017  
 Counted By: JDA



**TURNING MOVEMENT COUNT DATA**

Cars+

Start Time	TH 65				85th Avenue				TH 65				85th Avenue				Int. Total
	Southbound				Westbound				Northbound				Eastbound				
	Left	Thru	Right	Peds	Left	Thru	Right	Peds	Left	Thru	Right	Peds	Left	Thru	Right	Peds	
6:00	5	435	25	0	39	0	0	0	1	98	18	0	5	0	13	0	639
6:15	10	652	17	0	38	5	4	0	0	100	20	0	2	5	24	0	877
6:30	12	684	15	0	83	12	4	0	3	174	22	0	3	4	17	0	1033
6:45	11	687	12	0	78	9	3	0	4	130	24	0	7	9	14	0	988
7:00	9	654	10	0	5	7	3	0	8	205	35	0	3	5	12	0	956
7:15	19	623	17	0	96	13	10	0	10	179	34	0	5	13	23	0	1042
7:30	17	719	21	0	65	14	5	0	5	218	54	0	4	8	25	0	1155
7:45	15	674	15	0	96	14	6	0	8	224	60	0	5	8	37	0	1162
8:00	26	556	12	0	57	8	8	0	4	185	50	0	5	9	21	0	941
8:15	11	464	13	0	49	8	3	0	7	221	44	0	2	9	18	0	849
8:30	21	408	11	0	57	16	9	0	12	192	36	0	4	10	18	0	794
8:45	14	395	12	0	42	4	10	0	5	245	55	0	8	1	16	0	807
9:00	16	345	11	0	47	7	13	0	3	204	42	0	4	1	8	0	701
9:15	9	255	6	0	27	1	9	0	8	195	37	0	2	3	15	0	567
9:30	11	271	4	0	47	6	7	0	8	209	32	0	2	7	9	0	613
9:45	16	260	9	0	33	7	5	0	12	205	37	0	5	1	14	0	604
10:00	13	202	7	0	51	7	18	0	5	212	30	0	2	6	11	0	564
10:15	15	248	3	0	23	7	13	0	8	224	39	0	4	4	12	0	600
10:30	11	219	7	0	38	7	12	0	2	201	34	0	4	5	12	0	552
10:45	13	205	13	0	35	7	12	0	10	241	32	0	2	4	8	0	582
11:00	24	216	19	1	24	5	11	0	11	245	23	0	5	10	17	0	610
11:15	20	235	11	3	42	15	21	0	15	264	27	0	6	3	9	0	668
11:30	18	267	17	1	46	13	26	0	10	240	41	0	12	5	10	0	705
11:45	26	232	20	1	46	15	17	0	17	242	44	0	9	7	15	0	690
12:00	22	229	11	0	30	7	24	0	10	265	45	0	7	8	19	0	677
12:15	25	253	9	0	34	11	13	0	16	294	43	0	6	12	13	0	729
12:30	19	259	8	0	39	7	20	0	7	278	48	0	8	9	17	0	719
12:45	26	225	12	0	40	9	20	0	11	274	48	0	10	4	12	0	691
13:00	16	236	10	0	47	7	15	0	7	282	48	0	7	7	15	0	697
13:15	16	222	11	0	32	9	15	0	7	298	41	0	10	6	12	0	679
13:30	12	250	6	1	30	4	15	0	12	315	58	1	10	11	6	0	729
13:45	11	242	9	0	34	3	12	0	9	313	55	0	16	2	14	0	720
14:00	22	215	6	0	48	8	24	0	8	327	56	0	7	3	12	0	736
14:15	20	257	6	2	32	10	28	0	12	451	42	0	3	3	12	0	876
14:30	16	253	8	1	45	8	17	0	11	435	63	0	15	8	13	0	892
14:45	22	269	8	0	36	4	22	0	10	452	68	0	8	3	14	0	916
15:00	14	254	9	0	61	12	19	0	7	581	75	0	8	4	16	0	1060
15:15	30	255	8	0	42	14	26	0	9	482	72	0	11	3	14	0	966
15:30	20	288	13	0	62	10	24	0	11	628	61	0	6	3	17	0	1143
15:45	23	268	10	0	64	12	24	0	10	485	65	0	12	8	10	0	991
16:00	19	289	19	0	41	13	20	0	18	639	102	0	7	3	14	0	1184
16:15	13	280	13	0	68	4	20	0	17	627	86	0	14	6	17	0	1165
16:30	15	268	14	0	89	12	21	0	12	598	112	0	6	10	10	0	1167
16:45	13	312	11	0	56	13	15	0	14	657	116	0	4	7	16	0	1234
17:00	19	299	14	4	88	21	20	0	16	586	75	0	6	6	14	0	1164
17:15	16	298	15	0	45	17	7	0	20	655	104	0	8	8	12	0	1205
17:30	10	287	16	0	61	13	12	0	15	560	89	0	7	7	14	0	1091
17:45	11	262	12	0	41	15	20	0	9	464	62	0	8	8	18	0	930
18:00	19	260	11	0	40	7	8	0	10	467	78	0	10	6	15	0	931
18:15	10	264	9	3	39	13	6	0	6	382	58	0	5	6	14	0	812
18:30	21	253	9	0	42	13	11	0	6	350	64	0	7	5	8	0	789
18:45	20	221	11	0	21	5	12	0	10	376	41	0	3	4	12	0	736
Total	862	17174	605	17	2471	488	719	0	486	17374	2745	1	339	307	758	0	44328
Cars+	862	17174	605	17	2471	488	719	0	486	17374	2745	1	339	307	758	0	44328
Trucks	56	458	30	0	126	48	41	0	24	492	216	1	24	25	32	0	1572
% Trucks	6.5	2.7	5.0	0.0	5.1	9.8	5.7	0.0	4.9	2.8	7.9	100.0	7.1	8.1	4.2	0.0	3.5
	2.9				5.8				3.6				5.8				

Location: TH 65 at 85th Avenue  
 Count Date: 4/11/2017  
 Counted By: JDA



**TURNING MOVEMENT COUNT DATA**  
**Heavy Vehicles**

Start Time	TH 65				85th Avenue				TH 65				85th Avenue				Int. Total
	Southbound				Westbound				Northbound				Eastbound				
	Left	Thru	Right	Bikes	Left	Thru	Right	Bikes	Left	Thru	Right	Bikes	Left	Thru	Right	Bikes	
6:00	2	8	1	0	5	1	0	0	0	4	0	0	1	0	1	0	23
6:15	1	13	0	0	7	0	0	0	0	2	1	0	0	0	2	0	26
6:30	0	13	0	0	8	0	0	0	0	11	7	1	0	0	0	0	39
6:45	1	11	0	0	6	1	0	0	1	8	3	0	0	2	0	0	33
7:00	4	13	1	0	1	3	2	0	0	6	2	0	0	0	0	0	32
7:15	1	14	1	0	1	0	1	0	1	5	1	0	0	3	0	0	28
7:30	2	16	4	0	4	0	1	0	0	9	3	0	1	2	3	0	45
7:45	1	11	2	0	6	1	1	0	1	16	6	0	1	0	1	0	47
8:00	2	13	0	0	1	2	1	0	1	5	20	0	0	0	3	0	48
8:15	2	13	3	0	2	1	0	0	1	11	9	0	0	4	3	0	49
8:30	0	9	0	0	6	2	3	0	0	8	1	0	0	0	1	0	30
8:45	1	16	0	0	6	0	0	0	0	10	7	0	1	0	0	0	41
9:00	2	7	0	0	2	2	0	0	1	7	19	0	2	0	0	0	42
9:15	0	13	1	0	3	0	1	0	1	7	5	0	1	0	0	0	32
9:30	1	9	1	0	2	0	1	0	1	18	1	0	1	0	0	0	35
9:45	0	9	1	0	3	0	0	0	0	15	2	0	1	1	1	0	33
10:00	1	7	1	0	4	0	0	0	1	15	2	0	1	0	0	0	32
10:15	0	0	0	0	1	0	4	0	0	12	1	0	2	0	0	0	20
10:30	1	11	0	0	3	0	1	0	0	6	1	0	0	0	1	0	24
10:45	0	8	1	0	2	2	2	0	2	5	3	0	0	0	0	0	25
11:00	2	11	0	0	2	1	0	0	0	8	1	0	3	0	1	0	29
11:15	0	15	0	0	2	0	0	0	0	18	4	0	0	1	0	0	40
11:30	0	10	0	0	0	0	1	0	0	10	4	0	0	0	0	0	25
11:45	1	12	0	0	2	0	0	0	0	11	2	0	0	2	2	0	32
12:00	1	13	1	0	0	1	0	0	1	9	4	0	0	0	1	0	31
12:15	1	10	0	0	2	0	2	0	1	15	0	0	0	0	0	0	31
12:30	1	12	0	0	2	0	1	0	1	9	5	0	2	0	2	0	35
12:45	2	10	1	0	3	0	2	0	1	9	1	0	1	0	0	0	30
13:00	1	8	1	0	1	3	0	0	0	10	1	0	0	1	1	0	27
13:15	0	7	0	0	2	0	0	0	1	13	3	0	0	1	1	0	28
13:30	1	5	0	0	8	5	1	0	0	12	4	0	0	0	0	0	36
13:45	0	4	0	0	5	6	0	0	0	10	0	0	1	0	1	0	27
14:00	2	6	1	0	2	7	2	0	2	7	3	0	0	0	0	0	32
14:15	1	7	0	0	0	1	1	0	1	8	3	0	0	0	0	0	22
14:30	1	13	0	0	3	0	2	0	0	12	3	0	1	2	0	0	37
14:45	4	10	1	0	1	0	2	0	0	13	12	0	0	0	1	0	44
15:00	1	9	1	0	1	4	2	0	0	22	7	0	0	0	0	0	47
15:15	1	11	2	0	4	1	0	0	0	11	4	0	0	2	3	0	39
15:30	0	11	1	0	1	0	0	0	0	11	6	0	0	0	2	0	32
15:45	3	5	0	0	2	1	1	0	0	12	10	0	0	0	0	0	34
16:00	3	12	1	0	4	3	0	0	1	19	11	0	3	1	0	0	58
16:15	0	8	0	0	0	0	0	0	0	5	7	0	0	1	1	0	22
16:30	2	4	0	0	0	0	1	0	0	4	9	0	0	0	0	0	20
16:45	2	3	0	0	0	0	1	0	0	10	0	0	0	1	0	0	17
17:00	1	4	0	0	0	0	0	0	0	7	4	0	0	0	0	0	16
17:15	1	2	0	0	1	0	1	0	2	8	2	0	0	0	0	0	17
17:30	1	7	0	0	3	0	0	0	0	5	2	0	0	0	0	0	18
17:45	0	3	0	0	1	0	1	0	0	4	0	0	0	0	0	0	9
18:00	0	6	2	0	0	0	0	0	1	5	1	0	0	0	0	0	15
18:15	1	2	1	0	0	0	1	0	1	9	1	0	1	1	0	0	18
18:30	0	1	0	0	1	0	0	0	0	1	8	0	0	0	0	0	11
18:45	0	3	0	0	0	0	1	0	0	5	0	0	0	0	0	0	9
Total	56	458	30	0	126	48	41	0	24	492	216	1	24	25	32	0	1572
Cars+	862	17174	605	17	2471	488	719	0	486	17374	2745	1	339	307	758	0	44328
Trucks	56	458	30	0	126	48	41	0	24	492	216	1	24	25	32	0	1572
% Trucks	6.5	2.7	5.0	0.0	5.1	9.8	5.7	0.0	4.9	2.8	7.9	100.0	7.1	8.1	4.2	0.0	3.5
	2.9				5.8				3.6				5.8				