

Location: TH 65 at Sims Road (CSAH 86)
 Count Date: 4/4/2017
 Counted By: JDA



TURNING MOVEMENT COUNT DATA

All Vehicles

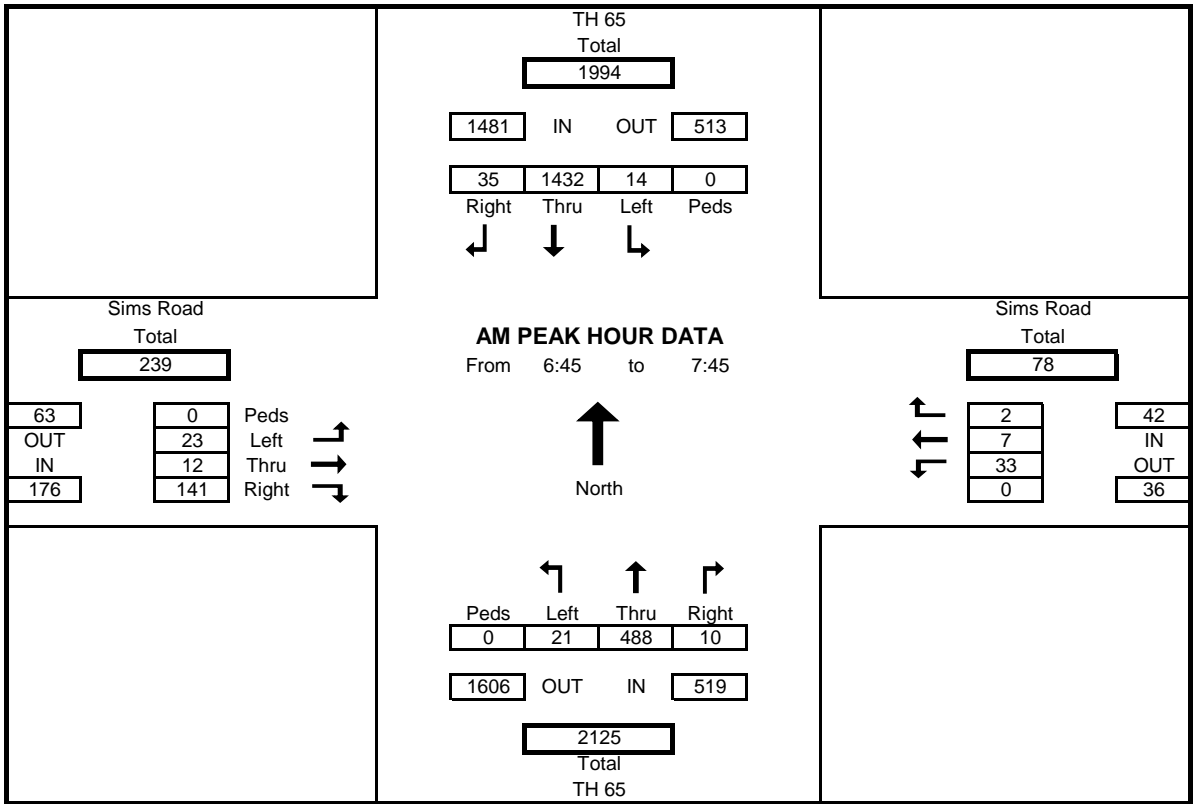
Start Time	TH 65				Sims Road				TH 65				Sims Road				Int. Total
	Southbound				Westbound				Northbound				Eastbound				
	Left	Thru	Right	Peds	Left	Thru	Right	Peds	Left	Thru	Right	Peds	Left	Thru	Right	Peds	
6:00	1	401	4	0	5	1	0	0	3	36	1	0	2	1	41	0	496
6:15	4	416	7	0	2	0	0	0	3	72	0	0	5	2	39	0	550
6:30	7	356	6	0	13	3	0	0	4	94	2	0	7	9	41	0	542
6:45	3	356	7	0	8	3	1	0	3	110	5	0	5	6	45	0	552
7:00	4	360	7	0	12	2	0	0	5	111	1	0	3	2	26	0	533
7:15	1	360	8	0	7	1	1	0	6	138	1	0	8	3	39	0	573
7:30	6	356	13	0	6	1	0	0	7	129	3	0	7	1	31	0	560
7:45	5	283	11	0	2	0	0	0	6	124	4	0	7	2	24	0	468
8:00	6	229	6	0	5	4	0	0	12	109	4	0	2	2	25	0	404
8:15	1	222	8	0	4	3	1	0	7	95	0	0	6	3	18	0	368
8:30	4	239	12	0	6	3	1	0	13	83	4	0	3	2	27	0	397
8:45	6	161	22	0	5	4	0	0	23	88	5	0	9	2	23	0	348
9:00	4	167	18	0	4	2	2	0	12	83	4	0	24	7	30	0	357
9:15	3	179	4	0	6	2	2	0	7	75	5	0	5	2	10	0	300
9:30	1	140	7	0	2	2	1	0	9	106	6	0	7	0	17	0	298
9:45	4	171	4	0	6	1	0	0	9	82	5	0	4	5	11	0	302
10:00	2	150	2	0	4	2	1	0	12	95	10	0	7	1	11	0	297
10:15	8	118	4	0	2	1	2	0	7	98	1	0	4	2	6	0	253
10:30	2	148	3	0	4	2	1	0	6	109	2	0	4	0	7	0	288
10:45	1	125	4	0	7	3	0	0	8	100	6	0	2	7	14	0	277
11:00	4	119	1	0	4	2	2	0	5	102	9	0	6	4	16	0	274
11:15	4	130	3	0	9	1	0	0	9	95	4	0	6	1	9	0	271
11:30	2	113	2	0	7	5	0	0	12	125	5	0	1	2	13	0	287
11:45	4	105	1	0	6	0	0	0	14	110	6	0	4	5	7	0	262
12:00	5	109	2	0	7	2	3	0	8	112	5	0	5	0	18	0	276
12:15	3	125	6	0	3	6	0	0	14	111	5	0	4	3	10	0	290
12:30	1	113	4	0	5	4	0	0	9	156	5	0	3	8	12	0	320
12:45	5	106	2	0	2	7	0	0	15	111	9	0	4	4	12	0	277
13:00	6	134	0	0	8	1	3	0	13	128	7	0	10	3	13	0	326
13:15	4	126	5	0	7	6	2	0	6	145	7	0	5	5	10	0	328
13:30	5	139	3	0	4	2	1	0	13	157	7	0	6	3	8	0	348
13:45	2	121	5	0	7	2	1	0	16	168	4	0	7	5	14	0	352
14:00	2	104	1	0	5	4	3	0	13	156	5	0	10	1	11	0	315
14:15	5	145	3	0	3	4	3	0	15	194	8	0	7	5	6	0	398
14:30	3	151	4	0	5	2	1	0	14	204	10	0	4	5	4	0	407
14:45	3	129	3	0	4	3	3	0	14	301	3	0	7	6	13	0	489
15:00	4	120	7	0	2	7	1	0	28	246	5	0	6	3	13	0	442
15:15	6	132	26	0	7	8	1	0	32	331	11	0	3	4	8	0	569
15:30	2	178	13	0	2	10	3	0	18	345	10	0	29	7	15	0	632
15:45	5	166	9	0	10	1	5	0	21	351	13	0	31	4	10	0	626
16:00	2	171	3	0	5	4	2	0	23	400	15	0	8	7	16	0	656
16:15	9	147	11	0	4	6	3	0	30	428	10	0	15	8	12	0	683
16:30	3	182	11	0	3	4	4	0	20	402	12	0	10	4	18	0	673
16:45	4	174	12	0	6	5	0	0	36	427	12	0	10	2	23	0	711
17:00	4	159	8	0	5	6	8	0	30	413	12	0	8	3	15	0	671
17:15	2	149	6	0	7	8	1	0	50	411	8	0	11	2	21	0	676
17:30	4	150	5	0	0	5	4	0	27	413	12	0	10	4	17	0	651
17:45	13	131	7	0	3	5	2	0	33	306	3	0	11	4	9	0	527
18:00	7	164	6	0	2	3	1	0	21	292	6	0	10	4	21	0	537
18:15	1	123	9	0	3	5	2	0	24	251	3	0	4	5	19	0	449
18:30	2	97	3	0	3	3	1	0	22	234	6	0	6	1	11	0	389
18:45	3	83	5	0	0	3	1	0	15	167	1	0	6	4	5	0	293
Total	202	9232	343	0	258	174	74	0	782	9729	307	0	388	185	894	0	22568
Cars+	197	8936	322	0	252	167	74	0	762	9396	299	0	371	181	882	0	21839
Trucks	5	296	21	0	6	7	0	0	20	333	8	0	17	4	12	0	729
% Trucks	2.5	3.3	6.5	0.0	2.4	4.2	0.0	0.0	2.6	3.5	2.7	0.0	4.6	2.2	1.4	0.0	3.3
	3.4				2.6				3.5				2.3				

Location: TH 65 at Sims Road (CSAH 86)
 Count Date: 4/4/2017
 Counted By: JDA



AM PEAK HOUR TURNING MOVEMENT DATA
 All Vehicles

Start Time	TH 65				Sims Road				TH 65				Sims Road				Int. Total
	Southbound				Westbound				Northbound				Eastbound				
	Left	Thru	Right	Peds	Left	Thru	Right	Peds	Left	Thru	Right	Peds	Left	Thru	Right	Peds	
6:45	3	356	7	0	8	3	1	0	3	110	5	0	5	6	45	0	552
7:00	4	360	7	0	12	2	0	0	5	111	1	0	3	2	26	0	533
7:15	1	360	8	0	7	1	1	0	6	138	1	0	8	3	39	0	573
7:30	6	356	13	0	6	1	0	0	7	129	3	0	7	1	31	0	560
Total	14	1432	35	0	33	7	2	0	21	488	10	0	23	12	141	0	2218
% App. Total	0.9	96.7	2.4	0.0	2.2	0.5	0.1	0.0	1.4	33.0	0.7	0.0	1.6	0.8	9.5	0.0	
PHF	0.583	0.994	0.673	0.000	0.688	0.583	0.500	0.000	0.750	0.884	0.500	0.000	0.719	0.500	0.783	0.000	0.968
% Trucks	0.0	2.1	0.0	0.0	0.0	0.0	0.0	0.0	5.0	5.6	0.0	0.0	0.0	9.1	0.7	0.0	2.7
	2.0				0.0				5.5				1.1				

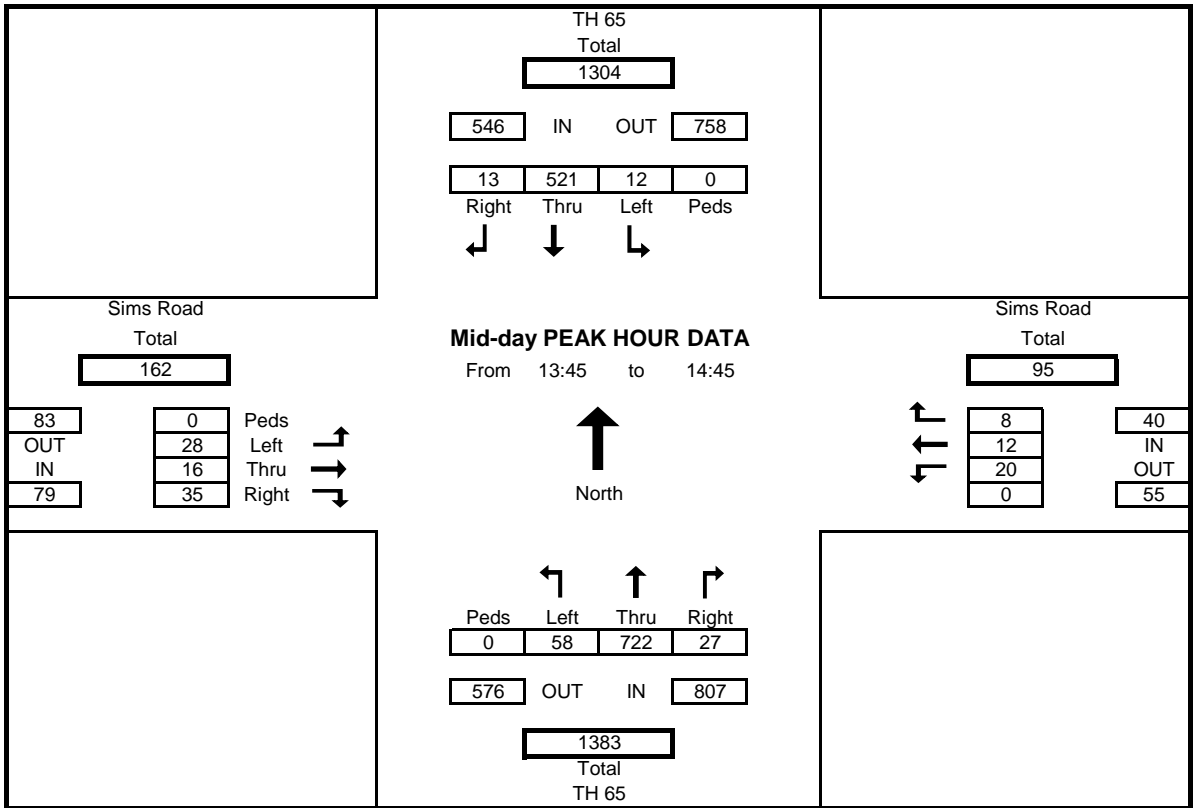


Location: TH 65 at Sims Road (CSAH 86)
 Count Date: 4/4/2017
 Counted By: JDA



Mid-Day PEAK HOUR TURNING MOVEMENT DATA
 All Vehicles

Start Time	TH 65				Sims Road				TH 65				Sims Road				Int. Total
	Southbound				Westbound				Northbound				Eastbound				
	Left	Thru	Right	Peds	Left	Thru	Right	Peds	Left	Thru	Right	Peds	Left	Thru	Right	Peds	
13:45	2	121	5	0	7	2	1	0	16	168	4	0	7	5	14	0	352
14:00	2	104	1	0	5	4	3	0	13	156	5	0	10	1	11	0	315
14:15	5	145	3	0	3	4	3	0	15	194	8	0	7	5	6	0	398
14:30	3	151	4	0	5	2	1	0	14	204	10	0	4	5	4	0	407
Total	12	521	13	0	20	12	8	0	58	722	27	0	28	16	35	0	1472
% App. Total	2.2	95.4	2.4	0.0	3.7	2.2	1.5	0.0	10.6	132.2	4.9	0.0	5.1	2.9	6.4	0.0	
PHF	0.600	0.863	0.650	0.000	0.714	0.750	0.667	0.000	0.906	0.885	0.675	0.000	0.700	0.800	0.625	0.000	0.904
% Trucks	0.0	5.0	0.0	0.0	5.3	0.0	0.0	0.0	0.0	4.8	3.8	0.0	0.0	0.0	6.1	0.0	4.4
	4.8				2.6				4.4				2.6				

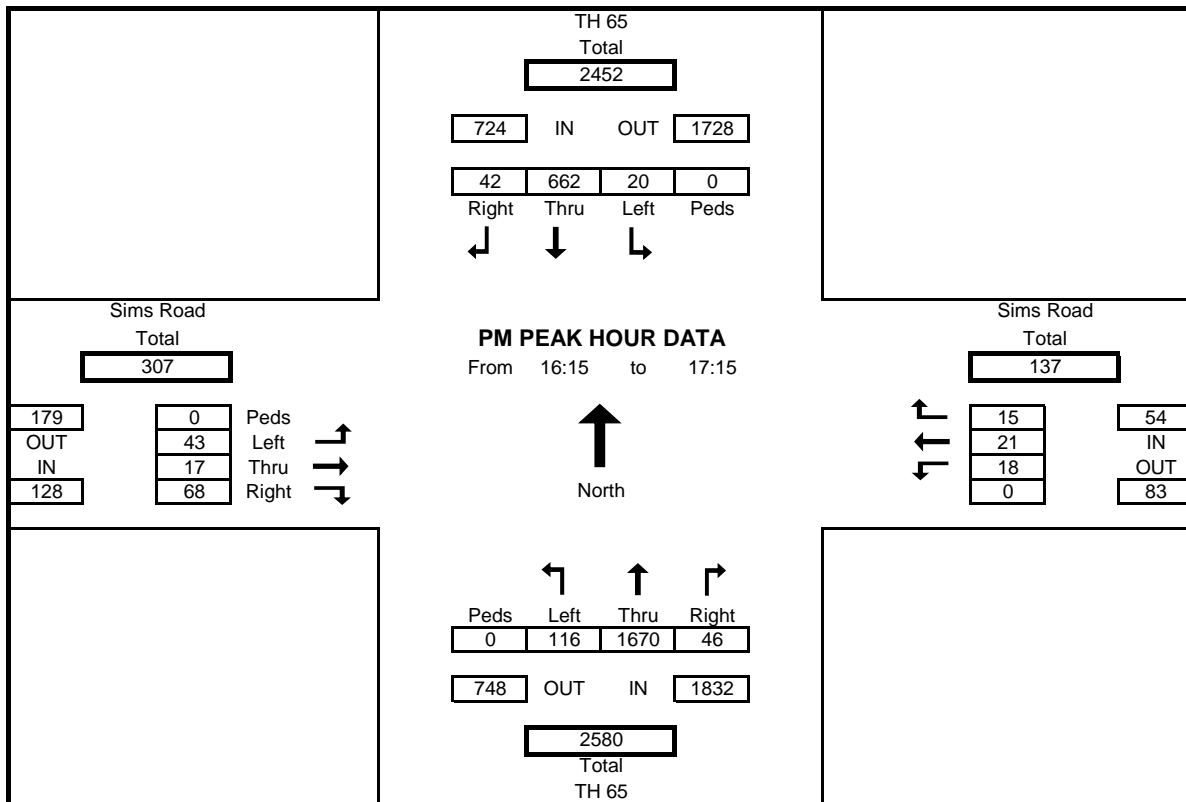


Location: TH 65 at Sims Road (CSAH 86)
 Count Date: 4/4/2017
 Counted By: JDA



AM PEAK HOUR TURNING MOVEMENT DATA
 All Vehicles

Start Time	TH 65				Sims Road				TH 65				Sims Road				Int. Total
	Southbound				Westbound				Northbound				Eastbound				
	Left	Thru	Right	Peds	Left	Thru	Right	Peds	Left	Thru	Right	Peds	Left	Thru	Right	Peds	
16:15	9	147	11	0	4	6	3	0	30	428	10	0	15	8	12	0	683
16:30	3	182	11	0	3	4	4	0	20	402	12	0	10	4	18	0	673
16:45	4	174	12	0	6	5	0	0	36	427	12	0	10	2	23	0	711
17:00	4	159	8	0	5	6	8	0	30	413	12	0	8	3	15	0	671
Total	20	662	42	0	18	21	15	0	116	1670	46	0	43	17	68	0	2738
% App. Total	2.8	91.4	5.8	0.0	2.5	2.9	2.1	0.0	16.0	230.7	6.4	0.0	5.9	2.3	9.4	0.0	
PHF	0.556	0.909	0.875	0.000	0.750	0.875	0.469	0.000	0.806	0.975	0.958	0.000	0.717	0.531	0.739	0.000	0.963
% Trucks	0.0	2.0	2.4	0.0	0.0	0.0	0.0	0.0	1.8	1.2	0.0	0.0	0.0	6.3	0.0	0.0	1.4
	2.0				0.0				1.2				0.8				



Location: TH 65 at Sims Road (CSAH 86)
 Count Date: 4/4/2017
 Counted By: JDA



TURNING MOVEMENT COUNT DATA

Cars+

Start Time	TH 65				Sims Road				TH 65				Sims Road				Int. Total
	Southbound				Westbound				Northbound				Eastbound				
	Left	Thru	Right	Peds	Left	Thru	Right	Peds	Left	Thru	Right	Peds	Left	Thru	Right	Peds	
6:00	1	397	4	0	5	1	0	0	3	35	0	0	2	1	41	0	490
6:15	3	408	7	0	2	0	0	0	3	65	0	0	5	2	38	0	533
6:30	7	349	5	0	13	2	0	0	4	91	2	0	7	9	41	0	530
6:45	3	348	7	0	8	3	1	0	3	105	5	0	5	6	45	0	539
7:00	4	354	7	0	12	2	0	0	5	103	1	0	3	1	26	0	518
7:15	1	356	8	0	7	1	1	0	6	132	1	0	8	3	38	0	562
7:30	6	345	13	0	6	1	0	0	6	122	3	0	7	1	31	0	541
7:45	5	273	11	0	2	0	0	0	5	117	4	0	7	2	23	0	449
8:00	6	220	6	0	5	4	0	0	12	106	4	0	2	2	24	0	391
8:15	1	216	8	0	4	2	1	0	7	91	0	0	5	3	18	0	356
8:30	3	231	12	0	6	3	1	0	12	78	4	0	3	2	27	0	382
8:45	6	157	16	0	4	2	0	0	21	76	5	0	9	2	22	0	320
9:00	4	159	16	0	4	2	2	0	12	74	4	0	23	7	30	0	337
9:15	3	170	4	0	6	2	2	0	6	66	5	0	5	2	10	0	281
9:30	1	138	7	0	2	2	1	0	9	98	6	0	7	0	17	0	288
9:45	4	166	4	0	6	1	0	0	9	76	5	0	4	5	11	0	291
10:00	2	142	1	0	3	2	1	0	12	81	10	0	5	1	11	0	271
10:15	8	111	4	0	2	1	2	0	5	94	1	0	2	2	6	0	238
10:30	2	139	3	0	4	2	1	0	6	105	2	0	4	0	7	0	275
10:45	1	118	4	0	7	3	0	0	8	91	6	0	2	7	14	0	261
11:00	4	113	1	0	4	2	2	0	5	91	8	0	6	4	15	0	255
11:15	4	122	3	0	9	1	0	0	9	92	4	0	6	1	9	0	260
11:30	2	105	2	0	6	5	0	0	12	115	5	0	1	2	13	0	268
11:45	4	95	1	0	6	0	0	0	12	104	6	0	4	5	7	0	244
12:00	5	102	2	0	7	2	3	0	8	103	5	0	5	0	18	0	260
12:15	3	116	6	0	3	6	0	0	12	100	5	0	4	3	9	0	267
12:30	0	111	2	0	5	4	0	0	9	144	5	0	3	7	12	0	302
12:45	5	96	2	0	2	6	0	0	14	106	9	0	4	4	11	0	259
13:00	6	131	0	0	8	1	3	0	12	117	6	0	9	3	13	0	309
13:15	4	113	4	0	7	6	2	0	6	138	7	0	5	5	10	0	307
13:30	4	137	3	0	4	2	1	0	13	150	6	0	5	3	7	0	335
13:45	2	115	5	0	6	2	1	0	16	160	4	0	7	5	14	0	337
14:00	2	99	1	0	5	4	3	0	13	150	5	0	10	1	11	0	304
14:15	5	138	3	0	3	4	3	0	15	183	8	0	7	5	6	0	380
14:30	3	144	4	0	5	2	1	0	14	196	9	0	4	5	2	0	389
14:45	3	126	3	0	3	3	3	0	12	284	2	0	7	6	12	0	464
15:00	4	117	7	0	2	7	1	0	28	241	5	0	5	3	13	0	433
15:15	6	129	21	0	7	8	1	0	31	323	10	0	2	4	8	0	550
15:30	2	171	12	0	2	9	3	0	18	341	10	0	28	7	15	0	618
15:45	5	158	8	0	10	1	5	0	20	350	12	0	25	3	10	0	607
16:00	2	168	3	0	5	4	2	0	23	397	15	0	8	7	16	0	650
16:15	9	145	11	0	4	6	3	0	29	421	10	0	15	7	12	0	672
16:30	3	179	11	0	3	4	4	0	20	396	12	0	10	4	18	0	664
16:45	4	169	11	0	6	5	0	0	35	424	12	0	10	2	23	0	701
17:00	4	156	8	0	5	6	8	0	30	409	12	0	8	3	15	0	664
17:15	2	148	6	0	7	8	1	0	50	409	8	0	11	2	21	0	673
17:30	3	150	5	0	0	5	4	0	27	407	12	0	10	4	17	0	644
17:45	13	130	7	0	2	4	2	0	33	301	3	0	11	4	9	0	519
18:00	7	158	6	0	2	3	1	0	21	289	6	0	10	4	21	0	528
18:15	1	121	9	0	3	5	2	0	24	250	3	0	4	5	19	0	446
18:30	2	96	3	0	3	3	1	0	22	232	6	0	6	1	11	0	386
18:45	3	81	5	0	0	3	1	0	15	167	1	0	6	4	5	0	291
Total	197	8936	322	0	252	167	74	0	762	9396	299	0	371	181	882	0	21839
Cars+	197	8936	322	0	252	167	74	0	762	9396	299	0	371	181	882	0	21839
Trucks	5	296	21	0	6	7	0	0	20	333	8	0	17	4	12	0	729
% Trucks	2.5	3.3	6.5	0.0	2.4	4.2	0.0	0.0	2.6	3.5	2.7	0.0	4.6	2.2	1.4	0.0	3.3
		3.4				2.6				3.5				2.3			

Location: TH 65 at Sims Road (CSAH 86)
 Count Date: 4/4/2017
 Counted By: JDA



TURNING MOVEMENT COUNT DATA
Heavy Vehicles

Start Time	TH 65				Sims Road				TH 65				Sims Road				Int. Total
	Southbound				Westbound				Northbound				Eastbound				
	Left	Thru	Right	Bikes	Left	Thru	Right	Bikes	Left	Thru	Right	Bikes	Left	Thru	Right	Bikes	
6:00	0	4	0	0	0	0	0	0	0	1	1	0	0	0	0	0	6
6:15	1	8	0	0	0	0	0	0	0	7	0	0	0	0	1	0	17
6:30	0	7	1	0	0	1	0	0	0	3	0	0	0	0	0	0	12
6:45	0	8	0	0	0	0	0	0	0	5	0	0	0	0	0	0	13
7:00	0	6	0	0	0	0	0	0	0	8	0	0	0	1	0	0	15
7:15	0	4	0	0	0	0	0	0	0	6	0	0	0	0	1	0	11
7:30	0	11	0	0	0	0	0	0	1	7	0	0	0	0	0	0	19
7:45	0	10	0	0	0	0	0	0	1	7	0	0	0	0	1	0	19
8:00	0	9	0	0	0	0	0	0	0	3	0	0	0	0	1	0	13
8:15	0	6	0	0	0	1	0	0	0	4	0	0	1	0	0	0	12
8:30	1	8	0	0	0	0	0	0	1	5	0	0	0	0	0	0	15
8:45	0	4	6	0	1	2	0	0	2	12	0	0	0	0	1	0	28
9:00	0	8	2	0	0	0	0	0	0	9	0	0	1	0	0	0	20
9:15	0	9	0	0	0	0	0	0	1	9	0	0	0	0	0	0	19
9:30	0	2	0	0	0	0	0	0	0	8	0	0	0	0	0	0	10
9:45	0	5	0	0	0	0	0	0	0	6	0	0	0	0	0	0	11
10:00	0	8	1	0	1	0	0	0	0	14	0	0	2	0	0	0	26
10:15	0	7	0	0	0	0	0	0	2	4	0	0	2	0	0	0	15
10:30	0	9	0	0	0	0	0	0	0	4	0	0	0	0	0	0	13
10:45	0	7	0	0	0	0	0	0	0	9	0	0	0	0	0	0	16
11:00	0	6	0	0	0	0	0	0	0	11	1	0	0	0	1	0	19
11:15	0	8	0	0	0	0	0	0	0	3	0	0	0	0	0	0	11
11:30	0	8	0	0	1	0	0	0	0	10	0	0	0	0	0	0	19
11:45	0	10	0	0	0	0	0	0	2	6	0	0	0	0	0	0	18
12:00	0	7	0	0	0	0	0	0	0	9	0	0	0	0	0	0	16
12:15	0	9	0	0	0	0	0	0	2	11	0	0	0	0	1	0	23
12:30	1	2	2	0	0	0	0	0	0	12	0	0	0	1	0	0	18
12:45	0	10	0	0	0	1	0	0	1	5	0	0	0	0	1	0	18
13:00	0	3	0	0	0	0	0	0	1	11	1	0	1	0	0	0	17
13:15	0	13	1	0	0	0	0	0	0	7	0	0	0	0	0	0	21
13:30	1	2	0	0	0	0	0	0	0	7	1	0	1	0	1	0	13
13:45	0	6	0	0	1	0	0	0	0	8	0	0	0	0	0	0	15
14:00	0	5	0	0	0	0	0	0	0	6	0	0	0	0	0	0	11
14:15	0	7	0	0	0	0	0	0	0	11	0	0	0	0	0	0	18
14:30	0	7	0	0	0	0	0	0	0	8	1	0	0	0	2	0	18
14:45	0	3	0	0	1	0	0	0	2	17	1	0	0	0	1	0	25
15:00	0	3	0	0	0	0	0	0	0	5	0	0	1	0	0	0	9
15:15	0	3	5	0	0	0	0	0	1	8	1	0	1	0	0	0	19
15:30	0	7	1	0	0	1	0	0	0	4	0	0	1	0	0	0	14
15:45	0	8	1	0	0	0	0	0	1	1	1	0	6	1	0	0	19
16:00	0	3	0	0	0	0	0	0	0	3	0	0	0	0	0	0	6
16:15	0	2	0	0	0	0	0	0	1	7	0	0	0	1	0	0	11
16:30	0	3	0	0	0	0	0	0	0	6	0	0	0	0	0	0	9
16:45	0	5	1	0	0	0	0	0	1	3	0	0	0	0	0	0	10
17:00	0	3	0	0	0	0	0	0	0	4	0	0	0	0	0	0	7
17:15	0	1	0	0	0	0	0	0	0	2	0	0	0	0	0	0	3
17:30	1	0	0	0	0	0	0	0	0	6	0	0	0	0	0	0	7
17:45	0	1	0	0	1	1	0	0	0	5	0	0	0	0	0	0	8
18:00	0	6	0	0	0	0	0	0	0	3	0	0	0	0	0	0	9
18:15	0	2	0	0	0	0	0	0	0	1	0	0	0	0	0	0	3
18:30	0	1	0	0	0	0	0	0	0	2	0	0	0	0	0	0	3
18:45	0	2	0	0	0	0	0	0	0	0	0	0	0	0	0	0	2
Total	5	296	21	0	6	7	0	0	20	333	8	0	17	4	12	0	729
Cars+	197	8936	322	0	252	167	74	0	762	9396	299	0	371	181	882	0	21839
Trucks	5	296	21	0	6	7	0	0	20	333	8	0	17	4	12	0	729
% Trucks	2.5	3.3	6.5	0.0	2.4	4.2	0.0	0.0	2.6	3.5	2.7	0.0	4.6	2.2	1.4	0.0	3.3
	3.4				2.6				3.5				2.3				