

Alliant Engineering Inc Minneapolis, MN 55415

Lousiana Ave S at Walker St.
Ref.Pt.: St Louis Park
Alliant Engineering Inc
TURN MOVEMENT COUNT

File Name : 25_Louisiana Ave at Walk St_020311
Site Code : 00000025
Start Date : 2/3/2011
Page No : 1

Groups Printed- Unshifted - Bank 1

Start Time	Louisiana Ave S Southbound				Walker Street Westbound				Louisiana Ave S Northbound				Walker Street Eastbound				Int. Total
	Left	Thru	Rght	Peds	Left	Thru	Rght	Peds	Left	Thru	Rght	Peds	Left	Thru	Rght	Peds	
06:00	0	10	0	0	2	0	0	0	2	4	7	0	0	5	5	0	35
06:15	1	22	1	0	5	0	0	0	3	13	3	0	2	1	11	0	62
06:30	0	24	2	0	7	0	1	0	0	8	3	0	2	3	11	0	61
06:45	2	38	2	0	2	2	0	0	5	20	10	0	3	14	14	0	112
Total	3	94	5	0	16	2	1	0	10	45	23	0	7	23	41	0	270
07:00	6	41	3	0	8	3	2	0	13	45	24	0	9	14	33	0	201
07:15	5	53	1	0	7	3	4	0	5	31	22	0	11	24	35	0	201
07:30	9	88	7	0	8	6	7	0	10	43	27	0	14	23	42	0	284
07:45	16	69	7	0	14	6	2	0	7	53	41	0	8	22	30	0	275
Total	36	251	18	0	37	18	15	0	35	172	114	0	42	83	140	0	961
08:00	10	58	4	1	16	16	4	0	8	57	32	0	10	29	27	0	272
08:15	12	69	3	0	14	15	6	0	10	61	32	0	9	12	24	0	267
08:30	1	39	3	0	17	5	3	0	4	44	22	0	7	16	35	0	196
08:45	8	41	7	0	9	5	3	0	7	47	20	0	6	13	22	0	188
Total	31	207	17	1	56	41	16	0	29	209	106	0	32	70	108	0	923
09:00	9	38	3	0	10	8	6	0	5	38	22	0	4	15	12	0	170
09:15	3	41	3	0	9	3	3	1	4	27	12	0	4	17	8	0	135
09:30	5	40	3	0	9	5	1	0	6	26	18	0	5	11	13	0	142
09:45	4	38	4	1	11	6	3	0	8	49	19	0	7	16	10	0	176
Total	21	157	13	1	39	22	13	1	23	140	71	0	20	59	43	0	623
*** BREAK ***																	
10:30	5	35	6	0	12	5	2	0	5	33	15	0	3	8	9	0	138
10:45	3	42	7	1	11	7	3	0	7	38	10	0	5	2	11	0	147
Total	8	77	13	1	23	12	5	0	12	71	25	0	8	10	20	0	285
11:00	6	45	6	0	12	3	2	0	11	52	19	0	14	7	11	0	188
11:15	7	47	9	0	9	9	6	0	6	21	13	0	7	12	10	0	156
11:30	3	53	9	0	10	12	7	0	5	57	23	0	11	16	5	0	211
11:45	6	60	6	1	13	10	3	1	7	53	15	0	6	18	6	0	205
Total	22	205	30	1	44	34	18	1	29	183	70	0	38	53	32	0	760
12:00	3	53	8	0	14	17	5	0	11	54	17	2	10	14	13	0	221
12:15	5	55	5	0	10	9	1	0	12	54	23	0	4	9	12	0	199
12:30	3	58	10	0	6	6	1	0	10	52	28	0	7	12	15	0	208
12:45	10	62	6	0	12	8	1	0	10	55	25	0	10	22	12	0	233
Total	21	228	29	0	42	40	8	0	43	215	93	2	31	57	52	0	861
13:00	2	38	7	0	13	14	3	0	8	63	22	0	8	12	7	0	197
13:15	1	60	10	0	6	7	2	0	7	46	10	0	10	14	9	0	182
*** BREAK ***																	
Total	3	98	17	0	19	21	5	0	15	109	32	0	18	26	16	0	379
*** BREAK ***																	
14:30	3	30	15	0	13	7	9	0	8	58	19	0	6	10	3	0	181
14:45	2	58	6	0	13	8	4	0	15	45	24	0	9	15	4	0	203
Total	5	88	21	0	26	15	13	0	23	103	43	0	15	25	7	0	384
15:00	0	39	9	0	11	5	1	1	5	29	12	0	10	15	2	0	139
15:15	2	39	4	0	15	8	0	0	16	44	11	1	10	9	11	0	170
15:30	2	24	12	0	8	4	1	0	10	33	7	0	5	3	3	0	112
15:45	1	30	4	0	12	7	2	0	7	25	5	1	8	10	7	0	119
Total	5	132	29	0	46	24	4	1	38	131	35	2	33	37	23	0	540

Alliant Engineering Inc Minneapolis, MN 55415

Lousiana Ave S at Walker St.
Ref.Pt.: St Louis Park
Alliant Engineering Inc
TURN MOVEMENT COUNT

File Name : 25_Louisiana Ave at Walk St_020311
Site Code : 00000025
Start Date : 2/3/2011
Page No : 2

Groups Printed- Unshifted - Bank 1

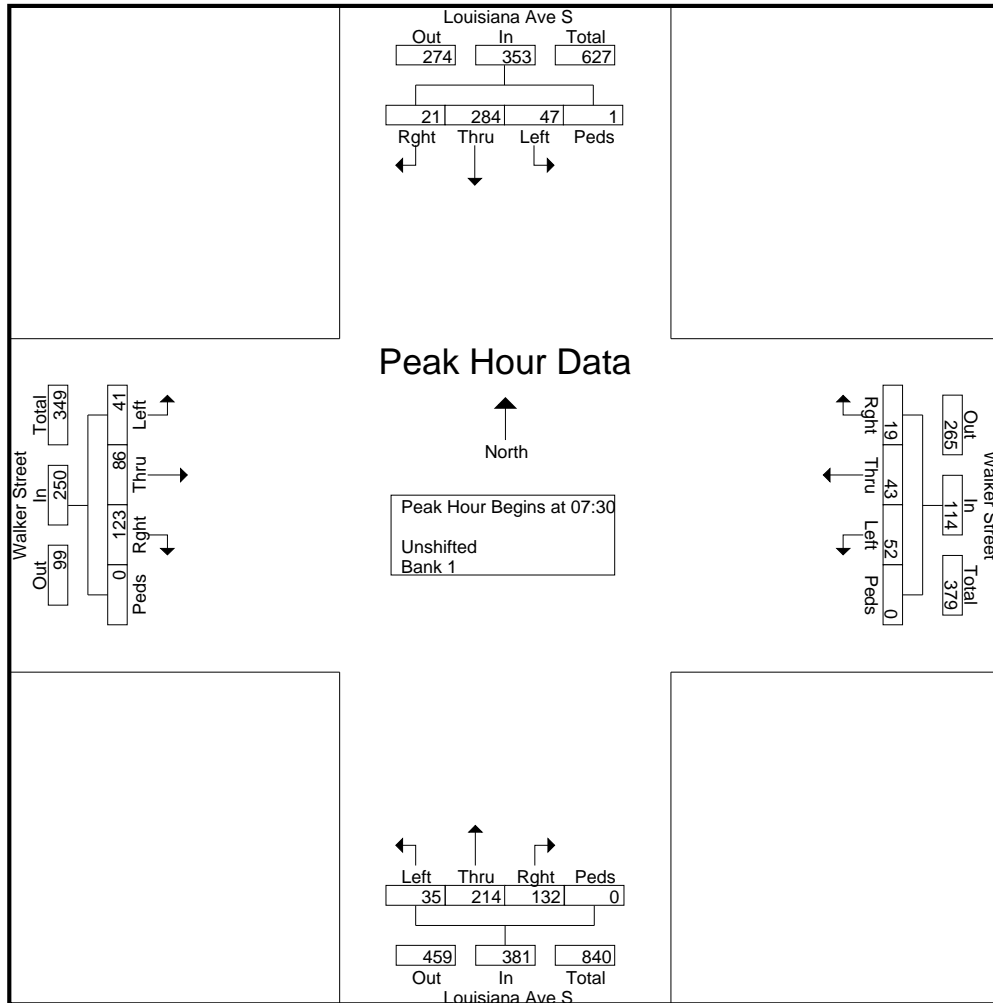
Start Time	Louisiana Ave S Southbound				Walker Street Westbound				Louisiana Ave S Northbound				Walker Street Eastbound				Int. Total
	Left	Thru	Rght	Peds	Left	Thru	Rght	Peds	Left	Thru	Rght	Peds	Left	Thru	Rght	Peds	
16:00	4	56	18	1	12	9	3	0	14	61	10	0	9	15	11	0	223
16:15	6	59	9	0	11	7	2	0	10	38	9	0	9	7	17	0	184
16:30	2	37	8	0	16	15	3	0	19	53	15	0	0	13	6	0	187
16:45	3	44	8	0	8	6	6	1	15	93	19	0	12	15	5	0	235
Total	15	196	43	1	47	37	14	1	58	245	53	0	30	50	39	0	829
17:00	0	78	14	1	9	13	14	1	22	86	14	0	13	19	11	0	295
17:15	6	54	6	0	8	9	8	0	20	57	14	0	13	9	5	0	209
17:30	4	53	14	0	11	14	5	0	20	72	10	0	13	17	8	0	241
17:45	4	58	11	0	12	14	3	0	19	72	14	0	19	13	6	0	245
Total	14	243	45	1	40	50	30	1	81	287	52	0	58	58	30	0	990
Grand Total	184	1976	280	6	435	316	142	5	396	1910	717	4	332	551	551	0	7805
Apprch %	7.5	80.8	11.4	0.2	48.4	35.2	15.8	0.6	13.1	63.1	23.7	0.1	23.2	38.4	38.4	0	
Total %	2.4	25.3	3.6	0.1	5.6	4	1.8	0.1	5.1	24.5	9.2	0.1	4.3	7.1	7.1	0	
Unshifted	174	1927	276	6	394	296	135	5	385	1844	657	4	319	527	538	0	7487
% Unshifted	94.6	97.5	98.6	100	90.6	93.7	95.1	100	97.2	96.5	91.6	100	96.1	95.6	97.6	0	95.9
Bank 1	10	49	4	0	41	20	7	0	11	66	60	0	13	24	13	0	318
% Bank 1	5.4	2.5	1.4	0	9.4	6.3	4.9	0	2.8	3.5	8.4	0	3.9	4.4	2.4	0	4.1

Alliant Engineering Inc Minneapolis, MN 55415

Lousiana Ave S at Walker St.
Ref.Pt.: St Louis Park
Alliant Engineering Inc
TURN MOVEMENT COUNT

File Name : 25_Louisiana Ave at Walk St_020311
Site Code : 00000025
Start Date : 2/3/2011
Page No : 3

Start Time	Louisiana Ave S Southbound					Walker Street Westbound					Louisiana Ave S Northbound					Walker Street Eastbound					Int. Total
	Left	Thru	Rght	Peds	App. Total	Left	Thru	Rght	Peds	App. Total	Left	Thru	Rght	Peds	App. Total	Left	Thru	Rght	Peds	App. Total	
Peak Hour Analysis From 06:00 to 09:45 - Peak 1 of 1																					
Peak Hour for Entire Intersection Begins at 07:30																					
07:30	9	88	7	0	104	8	6	7	0	21	10	43	27	0	80	14	23	42	0	79	284
07:45	16	69	7	0	92	14	6	2	0	22	7	53	41	0	101	8	22	30	0	60	275
08:00	10	58	4	1	73	16	16	4	0	36	8	57	32	0	97	10	29	27	0	66	272
08:15	12	69	3	0	84	14	15	6	0	35	10	61	32	0	103	9	12	24	0	45	267
Total Volume	47	284	21	1	353	52	43	19	0	114	35	214	132	0	381	41	86	123	0	250	1098
% App. Total	13.3	80.5	5.9	0.3		45.6	37.7	16.7	0		9.2	56.2	34.6	0		16.4	34.4	49.2	0		
PHF	.734	.807	.750	.250	.849	.813	.672	.679	.000	.792	.875	.877	.805	.000	.925	.732	.741	.732	.000	.791	.967



Alliant Engineering Inc Minneapolis, MN 55415

Lousiana Ave S at Walker St.
Ref.Pt.: St Louis Park
Alliant Engineering Inc
TURN MOVEMENT COUNT

File Name : 25_Louisiana Ave at Walk St_020311
Site Code : 00000025
Start Date : 2/3/2011
Page No : 4

Start Time	Louisiana Ave S Southbound					Walker Street Westbound					Louisiana Ave S Northbound					Walker Street Eastbound					Int. Total
	Left	Thru	Rght	Peds	App. Total	Left	Thru	Rght	Peds	App. Total	Left	Thru	Rght	Peds	App. Total	Left	Thru	Rght	Peds	App. Total	
Peak Hour Analysis From 14:30 to 17:45 - Peak 1 of 1																					
Peak Hour for Entire Intersection Begins at 17:00																					
17:00	0	78	14	1	93	9	13	14	1	37	22	86	14	0	122	13	19	11	0	43	295
17:15	6	54	6	0	66	8	9	8	0	25	20	57	14	0	91	13	9	5	0	27	209
17:30	4	53	14	0	71	11	14	5	0	30	20	72	10	0	102	13	17	8	0	38	241
17:45	4	58	11	0	73	12	14	3	0	29	19	72	14	0	105	19	13	6	0	38	245
Total Volume	14	243	45	1	303	40	50	30	1	121	81	287	52	0	420	58	58	30	0	146	990
% App. Total	4.6	80.2	14.9	0.3		33.1	41.3	24.8	0.8		19.3	68.3	12.4	0		39.7	39.7	20.5	0		
PHF	.583	.779	.804	.250	.815	.833	.893	.536	.250	.818	.920	.834	.929	.000	.861	.763	.763	.682	.000	.849	.839

