

MN Dept of Transportation

TRAFFIC DATA COLLECTION - Metro

TH-7 at Wooddale Ave, SOUTH RAMPS
 Ref.Pt.: 193.705
 video MR
 TURN MOVEMENT COUNT

File Name : TH-7 at Wooddale Ave SOUTH RAMPS 2015
 Site Code :
 Start Date : 5/12/2015
 Page No : 1

Groups Printed- Cars +

Start Time	Wooddale Ave Southbound				ramp to TH-7 EB Westbound				Wooddale Ave Northbound				ramp from TH-7 EB Eastbound				Int. Total
	Left	Thru	Right	Peds	Left	Thru	Right	Peds	Left	Thru	Right	Peds	Left	Thru	Right	Peds	
06:00	10	64	0	0	0	0	0	0	0	18	2	0	3	0	26	0	123
06:15	12	77	0	0	0	0	0	1	0	36	4	0	9	0	40	1	180
06:30	19	102	0	0	0	0	0	2	0	37	2	0	9	0	55	2	228
06:45	25	137	0	0	0	0	0	0	0	68	9	0	4	0	63	0	306
Total	66	380	0	0	0	0	0	3	0	159	17	0	25	0	184	3	837
07:00	35	155	0	0	0	0	0	1	0	81	11	0	5	0	47	1	336
07:15	29	169	0	0	0	0	0	2	0	141	10	0	6	0	54	0	411
07:30	37	188	0	0	0	0	0	1	0	167	11	0	4	0	73	3	484
07:45	45	210	0	0	0	0	0	4	0	186	15	0	19	0	54	0	533
Total	146	722	0	0	0	0	0	8	0	575	47	0	34	0	228	4	1764
08:00	45	166	0	0	0	0	0	2	0	218	18	0	11	0	50	0	510
08:15	56	193	0	0	0	0	0	2	1	182	12	0	7	1	59	1	514
08:30	46	181	0	1	0	0	0	5	0	149	10	0	3	0	49	0	444
08:45	42	172	0	0	0	0	0	1	0	123	11	0	9	1	38	0	397
Total	189	712	0	1	0	0	0	10	1	672	51	0	30	2	196	1	1865
*****BREAK*****																	
15:00	40	155	0	0	0	0	0	1	0	207	11	0	13	0	69	1	497
15:15	59	174	0	0	0	0	0	2	0	199	9	0	8	1	65	9	526
15:30	41	157	0	0	0	0	0	4	0	189	7	0	20	0	76	3	497
15:45	41	140	0	0	0	0	0	3	0	170	12	0	13	3	105	1	488
Total	181	626	0	0	0	0	0	10	0	765	39	0	54	4	315	14	2008
16:00	52	146	0	0	0	0	0	2	0	219	31	0	11	0	79	9	549
16:15	57	152	0	0	0	0	0	6	0	187	8	0	20	2	82	17	531
16:30	52	156	0	0	0	0	0	6	0	210	14	0	15	1	79	3	536
16:45	46	161	0	0	0	0	0	1	0	231	11	0	11	2	97	2	562
Total	207	615	0	0	0	0	0	15	0	847	64	0	57	5	337	31	2178
17:00	51	180	0	0	0	0	0	6	0	229	15	0	18	1	82	2	584
17:15	50	177	0	0	0	0	0	9	0	255	15	0	9	0	80	5	600
17:30	45	194	0	0	0	0	0	7	0	206	11	0	8	2	86	2	561
17:45	50	197	0	0	0	0	0	3	0	228	10	0	16	1	61	1	567
Total	196	748	0	0	0	0	0	25	0	918	51	0	51	4	309	10	2312
Grand Total	985	3803	0	1	0	0	0	71	1	3936	269	0	251	15	1569	63	10964
Apprch %	20.6	79.4	0	0	0	0	0	100	0	93.6	6.4	0	13.2	0.8	82.7	3.3	
Total %	9	34.7	0	0	0	0	0	0.6	0	35.9	2.5	0	2.3	0.1	14.3	0.6	

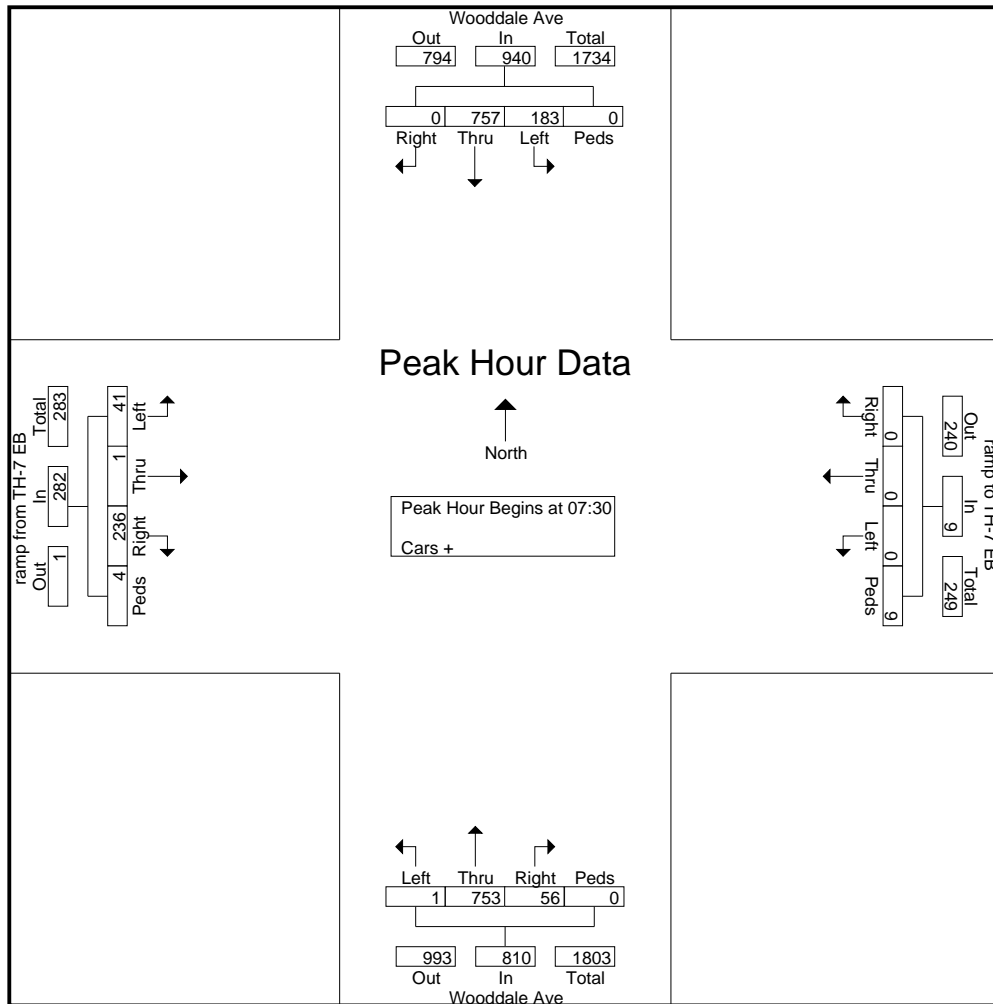
MN Dept of Transportation

TRAFFIC DATA COLLECTION - Metro

TH-7 at Wooddale Ave, SOUTH RAMPS
 Ref.Pt.: 193.705
 video MR
 TURN MOVEMENT COUNT

File Name : TH-7 at Wooddale Ave SOUTH RAMPS 2015
 Site Code :
 Start Date : 5/12/2015
 Page No : 2

Start Time	Wooddale Ave Southbound					ramp to TH-7 EB Westbound					Wooddale Ave Northbound					ramp from TH-7 EB Eastbound					Int. Total
	Left	Thru	Right	Peds	App. Total	Left	Thru	Right	Peds	App. Total	Left	Thru	Right	Peds	App. Total	Left	Thru	Right	Peds	App. Total	
Peak Hour Analysis From 06:00 to 11:45 - Peak 1 of 1																					
Peak Hour for Entire Intersection Begins at 07:30																					
07:30	37	188	0	0	225	0	0	0	1	1	0	167	11	0	178	4	0	73	3	80	484
07:45	45	210	0	0	255	0	0	0	4	4	0	186	15	0	201	19	0	54	0	73	533
08:00	45	166	0	0	211	0	0	0	2	2	0	218	18	0	236	11	0	50	0	61	510
08:15	56	193	0	0	249	0	0	0	2	2	1	182	12	0	195	7	1	59	1	68	514
Total Volume	183	757	0	0	940	0	0	0	9	9	1	753	56	0	810	41	1	236	4	282	2041
% App. Total	19.5	80.5	0	0		0	0	0	100		0.1	93	6.9	0		14.5	0.4	83.7	1.4		
PHF	.817	.901	.000	.000	.922	.000	.000	.000	.563	.563	.250	.864	.778	.000	.858	.539	.250	.808	.333	.881	.957



MN Dept of Transportation

TRAFFIC DATA COLLECTION - Metro

TH-7 at Wooddale Ave, SOUTH RAMPS
 Ref.Pt.: 193.705
 video MR
 TURN MOVEMENT COUNT

File Name : TH-7 at Wooddale Ave SOUTH RAMPS 2015
 Site Code :
 Start Date : 5/12/2015
 Page No : 3

Start Time	Wooddale Ave Southbound					ramp to TH-7 EB Westbound					Wooddale Ave Northbound					ramp from TH-7 EB Eastbound					Int. Total
	Left	Thru	Right	Peds	App. Total	Left	Thru	Right	Peds	App. Total	Left	Thru	Right	Peds	App. Total	Left	Thru	Right	Peds	App. Total	
Peak Hour Analysis From 12:00 to 17:45 - Peak 1 of 1																					
Peak Hour for Entire Intersection Begins at 17:00																					
17:00	51	180	0	0	231	0	0	0	6	6	0	229	15	0	244	18	1	82	2	103	584
17:15	50	177	0	0	227	0	0	0	9	9	0	255	15	0	270	9	0	80	5	94	600
17:30	45	194	0	0	239	0	0	0	7	7	0	206	11	0	217	8	2	86	2	98	561
17:45	50	197	0	0	247	0	0	0	3	3	0	228	10	0	238	16	1	61	1	79	567
Total Volume	196	748	0	0	944	0	0	0	25	25	0	918	51	0	969	51	4	309	10	374	2312
% App. Total	20.8	79.2	0	0		0	0	0	100		0	94.7	5.3	0		13.6	1.1	82.6	2.7		
PHF	.961	.949	.000	.000	.955	.000	.000	.000	.694	.694	.000	.900	.850	.000	.897	.708	.500	.898	.500	.908	.963

