



MINNESOTA DEPT OF TRANSPORTATION

TRAFFIC COLLECTION - METRO

Location: TH-212 AT KELLY AVE

REF.PT: 141+00.538

JAMAR#632\DR

TURN MOVEMENT COUNT

File Name : th 212 at kelly ave 141+00.538 2006

Site Code : 00000000

Start Date : 1/18/2006

Page No : 1

Groups Printed- Cars & Trucks

Start Time	KELLY AVE Southbound				TH 212 Westbound				KELLY AVE Northbound				TH 212 Eastbound				Int. Total
	Right	Thru	Left	Peds	Right	Thru	Left	Peds	Right	Thru	Left	Peds	Right	Thru	Left	Peds	
06:00	1	0	0	0	0	12	0	0	2	0	0	0	0	152	0	0	167
06:15	1	0	0	0	0	29	0	0	0	0	0	0	0	180	0	0	210
06:30	0	0	0	0	1	28	0	0	1	1	0	0	0	218	0	0	249
06:45	0	0	0	0	0	39	1	0	3	0	0	0	0	172	0	0	215
Total	2	0	0	0	1	108	1	0	6	1	0	0	0	722	0	0	841
07:00	0	2	1	0	0	51	0	0	2	0	2	0	0	169	1	0	228
07:15	1	0	0	0	0	55	0	0	1	2	0	0	1	193	1	0	254
07:30	0	0	0	0	1	62	0	0	0	1	1	0	0	189	0	0	254
07:45	0	2	0	0	0	46	0	0	0	1	0	0	1	164	0	0	214
Total	1	4	1	0	1	214	0	0	3	4	3	0	2	715	2	0	950
08:00	0	0	0	0	0	45	0	0	1	0	1	0	1	121	0	0	169
08:15	0	0	0	0	0	50	1	0	1	0	0	0	0	82	0	0	134
08:30	0	0	1	0	0	40	3	0	2	0	3	0	2	100	1	0	152
08:45	0	0	0	0	1	43	0	0	0	0	1	0	0	75	0	0	120
Total	0	0	1	0	1	178	4	0	4	0	5	0	3	378	1	0	575
15:00	0	0	2	0	0	98	3	0	1	0	2	0	2	56	0	0	164
15:15	1	0	0	0	0	127	0	0	0	0	1	0	1	71	0	0	201
15:30	2	0	0	0	0	125	0	0	0	0	2	0	2	72	1	0	204
15:45	1	1	0	0	0	129	3	0	0	0	1	0	1	65	0	0	201
Total	4	1	2	0	0	479	6	0	1	0	6	0	6	264	1	0	770
16:00	0	0	1	0	0	162	0	0	0	1	0	0	0	76	0	0	240
16:15	2	1	1	0	0	138	0	0	0	1	0	0	0	61	0	0	204
16:30	0	1	0	0	0	184	0	0	1	0	0	0	0	59	0	0	245
16:45	0	0	0	0	1	180	4	0	1	0	0	0	0	68	1	0	255
Total	2	2	2	0	1	664	4	0	2	2	0	0	0	264	1	0	944
17:00	0	0	0	0	0	161	1	0	2	1	0	0	0	56	0	0	221
17:15	1	0	0	0	1	185	1	0	0	0	0	0	0	57	0	0	245
17:30	0	0	0	0	0	155	0	0	0	0	0	0	1	58	1	0	215
17:45	0	0	0	0	0	118	0	0	0	0	1	0	0	65	0	0	184
Total	1	0	0	0	1	619	2	0	2	1	1	0	1	236	1	0	865
Grand Total	10	7	6	0	5	2262	17	0	18	8	15	0	12	2579	6	0	4945
Apprch %	43.5	30.4	26.1	0	0.2	99	0.7	0	43.9	19.5	36.6	0	0.5	99.3	0.2	0	
Total %	0.2	0.1	0.1	0	0.1	45.7	0.3	0	0.4	0.2	0.3	0	0.2	52.2	0.1	0	



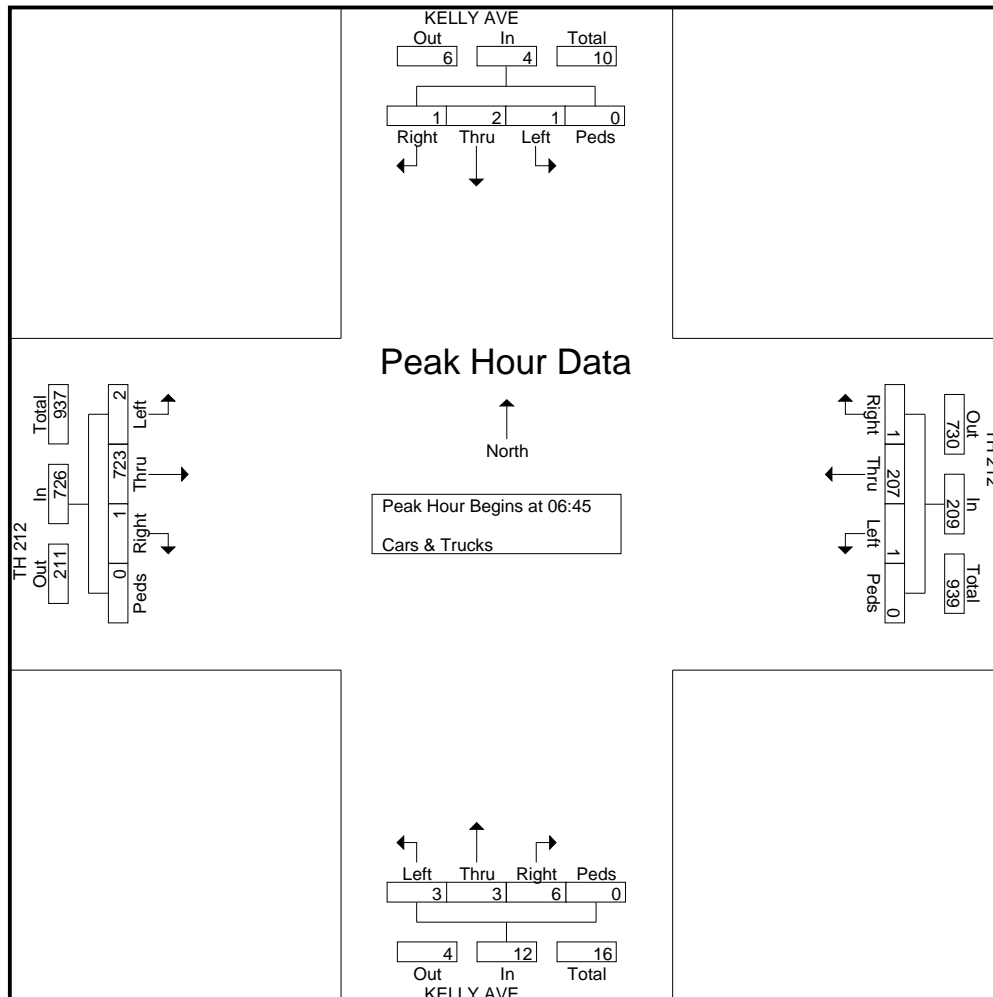
MINNESOTA DEPT OF TRANSPORTATION

TRAFFIC COLLECTION - METRO

Location: TH-212 AT KELLY AVE
 REF.PT: 141+00.538
 JAMAR#632\DR
 TURN MOVEMENT COUNT

File Name : th 212 at kelly ave 141+00.538 2006
 Site Code : 00000000
 Start Date : 1/18/2006
 Page No : 2

Start Time	KELLY AVE Southbound					TH 212 Westbound					KELLY AVE Northbound					TH 212 Eastbound					Int. Total
	Right	Thru	Left	Peds	App. Total	Right	Thru	Left	Peds	App. Total	Right	Thru	Left	Peds	App. Total	Right	Thru	Left	Peds	App. Total	
Peak Hour Analysis From 06:00 to 08:45 - Peak 1 of 1																					
Peak Hour for Entire Intersection Begins at 06:45																					
06:45	0	0	0	0	0	0	39	1	0	40	3	0	0	0	3	0	172	0	0	172	215
07:00	0	2	1	0	3	0	51	0	0	51	2	0	2	0	4	0	169	1	0	170	228
07:15	1	0	0	0	1	0	55	0	0	55	1	2	0	0	3	1	193	1	0	195	254
07:30	0	0	0	0	0	1	62	0	0	63	0	1	1	0	2	0	189	0	0	189	254
Total Volume	1	2	1	0	4	1	207	1	0	209	6	3	3	0	12	1	723	2	0	726	951
% App. Total	25	50	25	0		0.5	99	0.5	0		50	25	25	0		0.1	99.6	0.3	0		
PHF	.250	.250	.250	.000	.333	.250	.835	.250	.000	.829	.500	.375	.375	.000	.750	.250	.937	.500	.000	.931	.936





MINNESOTA DEPT OF TRANSPORTATION

TRAFFIC COLLECTION - METRO

Location: TH-212 AT KELLY AVE
 REF.PT: 141+00.538
 JAMAR#632\DR
 TURN MOVEMENT COUNT

File Name : th 212 at kelly ave 141+00.538 2006
 Site Code : 00000000
 Start Date : 1/18/2006
 Page No : 3

Start Time	KELLY AVE Southbound					TH 212 Westbound					KELLY AVE Northbound					TH 212 Eastbound					Int. Total
	Right	Thru	Left	Peds	App. Total	Right	Thru	Left	Peds	App. Total	Right	Thru	Left	Peds	App. Total	Right	Thru	Left	Peds	App. Total	
Peak Hour Analysis From 15:00 to 17:45 - Peak 1 of 1																					
Peak Hour for Entire Intersection Begins at 16:30																					
16:30	0	1	0	0	1	0	184	0	0	184	1	0	0	0	1	0	59	0	0	59	245
16:45	0	0	0	0	0	1	180	4	0	185	1	0	0	0	1	0	68	1	0	69	255
17:00	0	0	0	0	0	0	161	1	0	162	2	1	0	0	3	0	56	0	0	56	221
17:15	1	0	0	0	1	1	185	1	0	187	0	0	0	0	0	0	57	0	0	57	245
Total Volume	1	1	0	0	2	2	710	6	0	718	4	1	0	0	5	0	240	1	0	241	966
% App. Total	.50	.50	.00	.00	.50	.25	98.9	.8	.0	.960	.25	.25	.00	.00	.417	.00	.882	.250	.00	.873	.947
PHF	.250	.250	.000	.000	.500	.500	.959	.375	.000	.960	.500	.250	.000	.000	.417	.000	.882	.250	.000	.873	.947

