

Alliant Engineering, Inc.

733 Marquette Ave #700, Minneapolis, MN 55402

PCD & Columbine Rd-Regional Center
 Ref Pt:
 data by: Alliant Inc
 TURN MOVEMENT COUNT

File Name : 20_EP_PCD at Columbine Rd-Regional Center Rd
 Site Code :
 Start Date : 12/17/2020
 Page No : 1

Groups Printed- Cars - Trucks

Start Time	Prairie Center Dr Southbound					Regional Center Rd Westbound					Prairie Center Dr Northbound					Columbine Rd Eastbound					Int. Total
	Right	Thru	Left	Peds	App. Total	Right	Thru	Left	Peds	App. Total	Right	Thru	Left	Peds	App. Total	Right	Thru	Left	Peds	App. Total	
06:00 AM	5	13	1	0	19	3	0	0	0	3	0	12	1	0	13	1	1	0	0	2	37
06:15 AM	10	22	1	0	33	1	1	2	0	4	0	8	3	0	11	1	1	1	0	3	51
06:30 AM	9	30	2	1	42	2	2	0	0	4	1	15	2	0	18	2	4	9	0	15	79
06:45 AM	9	29	7	0	45	2	0	2	0	4	1	25	2	0	28	2	2	5	0	9	86
Total	33	94	11	1	139	8	3	4	0	15	2	60	8	0	70	6	8	15	0	29	253
07:00 AM	4	14	1	0	19	0	2	1	0	3	2	23	2	0	27	0	7	7	0	14	63
07:15 AM	7	23	5	0	35	12	5	0	0	17	1	29	1	0	31	1	2	5	0	8	91
07:30 AM	10	35	13	0	58	7	0	0	0	7	1	38	1	0	40	2	4	10	0	16	121
07:45 AM	15	47	12	1	75	7	5	3	0	15	3	43	2	0	48	0	5	13	0	18	156
Total	36	119	31	1	187	26	12	4	0	42	7	133	6	0	146	3	18	35	0	56	431
08:00 AM	11	41	8	0	60	6	1	0	0	7	0	30	2	0	32	4	5	15	1	25	124
08:15 AM	11	43	4	0	58	12	2	1	0	15	0	38	1	0	39	1	10	11	0	22	134
08:30 AM	14	41	8	0	63	5	5	1	0	11	3	34	2	0	39	0	10	11	0	21	134
08:45 AM	25	61	10	0	96	10	3	2	0	15	3	42	1	0	46	4	4	20	0	28	185
Total	61	186	30	0	277	33	11	4	0	48	6	144	6	0	156	9	29	57	1	96	577
09:00 AM	23	50	8	0	81	8	2	2	0	12	2	42	4	0	48	3	4	13	0	20	161
09:15 AM	25	63	10	0	98	9	7	4	0	20	3	48	5	0	56	1	7	16	0	24	198
*** BREAK ***																					
Total	48	113	18	0	179	17	9	6	0	32	5	90	9	0	104	4	11	29	0	44	359
*** BREAK ***																					
10:30 AM	30	74	13	0	117	16	7	3	0	26	6	71	7	0	84	9	19	40	0	68	295
10:45 AM	33	94	14	0	141	16	12	3	0	31	4	65	4	0	73	7	11	32	0	50	295
Total	63	168	27	0	258	32	19	6	0	57	10	136	11	0	157	16	30	72	0	118	590
11:00 AM	44	81	20	0	145	21	8	3	0	32	3	75	10	0	88	5	15	28	0	48	313
11:15 AM	37	110	13	0	160	32	7	5	0	44	7	77	5	0	89	6	12	46	0	64	357
11:30 AM	58	124	11	0	193	24	17	6	0	47	5	87	10	1	103	6	16	40	1	63	406
11:45 AM	50	119	13	0	182	31	13	5	0	49	2	115	6	1	124	6	13	61	0	80	435
Total	189	434	57	0	680	108	45	19	0	172	17	354	31	2	404	23	56	175	1	255	1511
12:00 PM	42	116	18	0	176	29	10	6	0	45	7	107	8	0	122	15	24	55	0	94	437
12:15 PM	45	112	14	0	171	30	11	8	1	50	6	111	11	0	128	6	23	38	0	67	416
12:30 PM	49	108	7	2	166	33	5	5	0	43	12	110	12	0	134	9	24	53	0	86	429
12:45 PM	52	137	21	0	210	24	14	3	1	42	9	122	9	1	141	9	32	38	0	79	472
Total	188	473	60	2	723	116	40	22	2	180	34	450	40	1	525	39	103	184	0	326	1754
01:00 PM	54	112	19	0	185	29	18	4	3	54	8	122	4	1	135	6	15	47	0	68	442
01:15 PM	52	117	14	0	183	35	10	8	0	53	6	104	7	0	117	8	18	48	0	74	427
*** BREAK ***																					
Total	106	229	33	0	368	64	28	12	3	107	14	226	11	1	252	14	33	95	0	142	869
*** BREAK ***																					
02:30 PM	44	118	13	0	175	37	10	7	0	54	8	103	8	1	120	13	19	48	0	80	429
02:45 PM	62	105	19	0	186	31	10	5	0	46	10	119	9	0	138	6	17	52	1	76	446
Total	106	223	32	0	361	68	20	12	0	100	18	222	17	1	258	19	36	100	1	156	875
03:00 PM	63	102	20	0	185	34	5	4	0	43	6	88	5	0	99	11	33	58	0	102	429
03:15 PM	46	111	15	0	172	36	17	4	0	57	7	95	8	0	110	14	25	65	0	104	443
03:30 PM	54	101	23	3	181	39	15	4	0	58	11	94	13	0	118	14	31	58	0	103	460
03:45 PM	49	142	30	0	221	38	18	5	0	61	11	116	3	0	130	13	22	51	0	86	498
Total	212	456	88	3	759	147	55	17	0	219	35	393	29	0	457	52	111	232	0	395	1830
04:00 PM	61	117	21	0	199	52	18	4	0	74	8	115	13	0	136	8	20	40	0	68	477

Alliant Engineering, Inc.

733 Marquette Ave #700, Minneapolis, MN 55402

PCD & Columbine Rd-Regional Center

File Name : 20_EP_PCD at Columbine Rd-Regional Center Rd

Ref Pt:

Site Code :

data by: Alliant Inc

Start Date : 12/17/2020

TURN MOVEMENT COUNT

Page No : 2

Groups Printed- Cars - Trucks

Start Time	Prairie Center Dr Southbound					Regional Center Rd Westbound					Prairie Center Dr Northbound					Columbine Rd Eastbound					Int. Total
	Right	Thru	Left	Peds	App. Total	Right	Thru	Left	Peds	App. Total	Right	Thru	Left	Peds	App. Total	Right	Thru	Left	Peds	App. Total	
04:15 PM	73	131	23	0	227	40	13	6	0	59	8	121	7	0	136	6	24	57	0	87	509
04:30 PM	51	133	19	0	203	36	13	4	0	53	6	115	9	0	130	9	9	40	0	58	444
04:45 PM	53	116	22	0	191	41	15	10	0	66	9	124	8	0	141	9	18	61	0	88	486
Total	238	497	85	0	820	169	59	24	0	252	31	475	37	0	543	32	71	198	0	301	1916
05:00 PM	47	116	25	1	189	44	7	8	0	59	9	110	15	0	134	9	27	46	0	82	464
05:15 PM	55	123	26	0	204	37	18	8	0	63	6	136	10	0	152	15	25	71	0	111	530
05:30 PM	51	115	11	1	178	30	24	8	0	62	12	109	10	0	131	9	17	45	0	71	442
05:45 PM	48	133	16	1	198	51	20	7	0	78	5	99	10	0	114	3	18	38	0	59	449
Total	201	487	78	3	769	162	69	31	0	262	32	454	45	0	531	36	87	200	0	323	1885
Grand Total	1481	3479	550	10	5520	950	370	161	5	1486	211	3137	250	5	3603	253	593	1392	3	2241	12850
Apprch %	26.8	63	10	0.2		63.9	24.9	10.8	0.3		5.9	87.1	6.9	0.1		11.3	26.5	62.1	0.1		
Total %	11.5	27.1	4.3	0.1	43	7.4	2.9	1.3	0	11.6	1.6	24.4	1.9	0	28	2	4.6	10.8	0	17.4	
Cars	1459	3438	537	8	5442	939	368	161	5	1473	208	3106	247	5	3566	251	589	1375	3	2218	12699
% Cars	98.5	98.8	97.6	80	98.6	98.8	99.5	100	100	99.1	98.6	99	98.8	100	99	99.2	99.3	98.8	100	99	98.8
Trucks	22	41	13	2	78	11	2	0	0	13	3	31	3	0	37	2	4	17	0	23	151
% Trucks	1.5	1.2	2.4	20	1.4	1.2	0.5	0	0	0.9	1.4	1	1.2	0	1	0.8	0.7	1.2	0	1	1.2

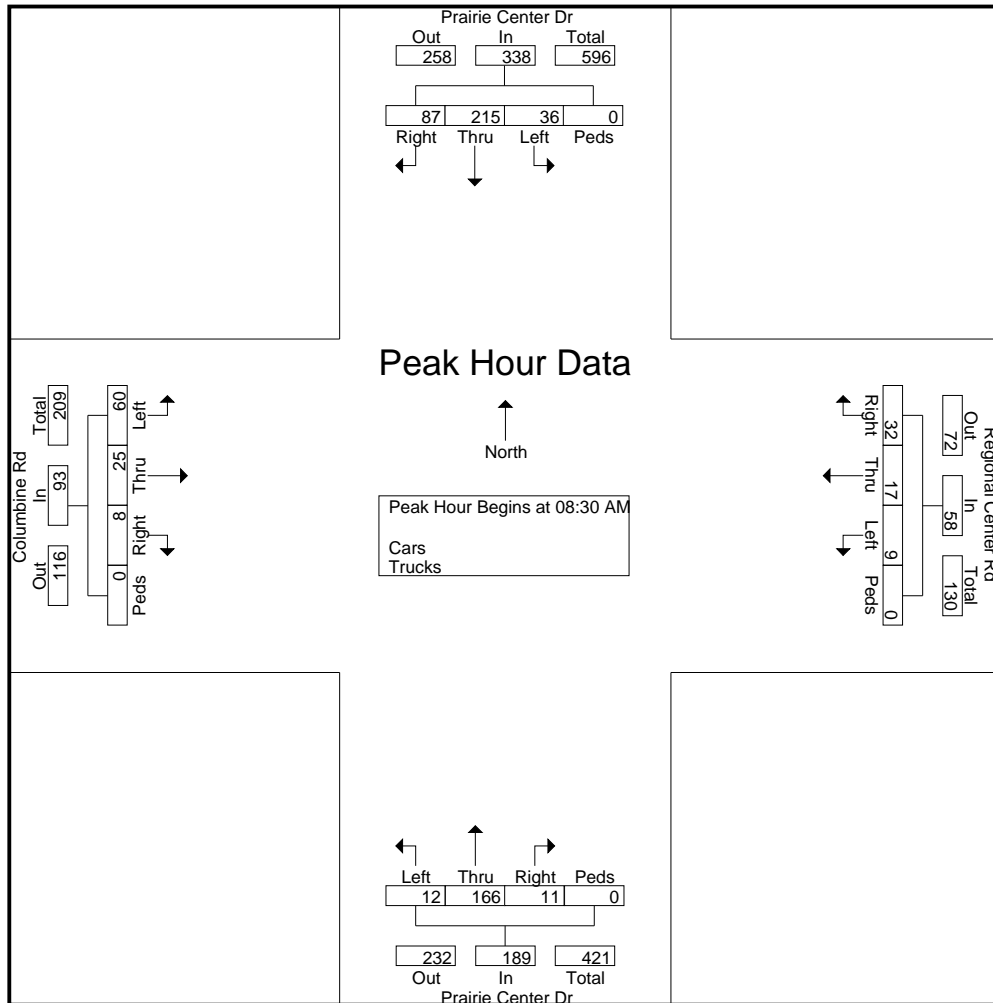
Alliant Engineering, Inc.

733 Marquette Ave #700, Minneapolis, MN 55402

PCD & Columbine Rd-Regional Center
 Ref Pt:
 data by: Alliant Inc
 TURN MOVEMENT COUNT

File Name : 20_EP_PCD at Columbine Rd-Regional Center Rd
 Site Code :
 Start Date : 12/17/2020
 Page No : 3

Start Time	Prairie Center Dr Southbound					Regional Center Rd Westbound					Prairie Center Dr Northbound					Columbine Rd Eastbound					Int. Total
	Right	Thru	Left	Peds	App. Total	Right	Thru	Left	Peds	App. Total	Right	Thru	Left	Peds	App. Total	Right	Thru	Left	Peds	App. Total	
Peak Hour Analysis From 06:00 AM to 09:45 AM - Peak 1 of 1																					
Peak Hour for Entire Intersection Begins at 08:30 AM																					
08:30 AM	14	41	8	0	63	5	5	1	0	11	3	34	2	0	39	0	10	11	0	21	134
08:45 AM	25	61	10	0	96	10	3	2	0	15	3	42	1	0	46	4	4	20	0	28	185
09:00 AM	23	50	8	0	81	8	2	2	0	12	2	42	4	0	48	3	4	13	0	20	161
09:15 AM	25	63	10	0	98	9	7	4	0	20	3	48	5	0	56	1	7	16	0	24	198
Total Volume	87	215	36	0	338	32	17	9	0	58	11	166	12	0	189	8	25	60	0	93	678
% App. Total	25.7	63.6	10.7	0		55.2	29.3	15.5	0		5.8	87.8	6.3	0		8.6	26.9	64.5	0		
PHF	.870	.853	.900	.000	.862	.800	.607	.563	.000	.725	.917	.865	.600	.000	.844	.500	.625	.750	.000	.830	.856



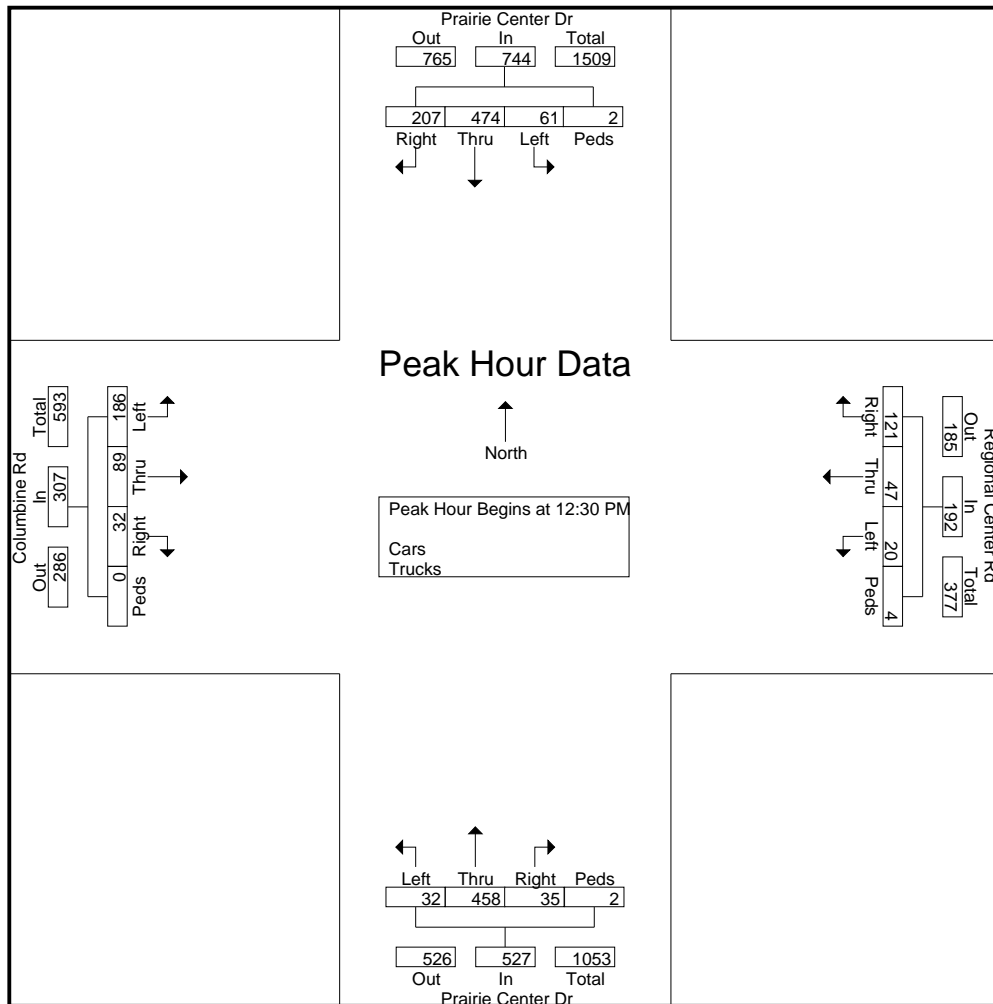
Alliant Engineering, Inc.

733 Marquette Ave #700, Minneapolis, MN 55402

PCD & Columbine Rd-Regional Center
 Ref Pt:
 data by: Alliant Inc
 TURN MOVEMENT COUNT

File Name : 20_EP_PCD at Columbine Rd-Regional Center Rd
 Site Code :
 Start Date : 12/17/2020
 Page No : 4

Start Time	Prairie Center Dr Southbound					Regional Center Rd Westbound					Prairie Center Dr Northbound					Columbine Rd Eastbound					Int. Total
	Right	Thru	Left	Peds	App. Total	Right	Thru	Left	Peds	App. Total	Right	Thru	Left	Peds	App. Total	Right	Thru	Left	Peds	App. Total	
Peak Hour Analysis From 10:00 AM to 01:45 PM - Peak 1 of 1																					
Peak Hour for Entire Intersection Begins at 12:30 PM																					
12:30 PM	49	108	7	2	166	33	5	5	0	43	12	110	12	0	134	9	24	53	0	86	429
12:45 PM	52	137	21	0	210	24	14	3	1	42	9	122	9	1	141	9	32	38	0	79	472
01:00 PM	54	112	19	0	185	29	18	4	3	54	8	122	4	1	135	6	15	47	0	68	442
01:15 PM	52	117	14	0	183	35	10	8	0	53	6	104	7	0	117	8	18	48	0	74	427
Total Volume	207	474	61	2	744	121	47	20	4	192	35	458	32	2	527	32	89	186	0	307	1770
% App. Total	27.8	63.7	8.2	0.3		63	24.5	10.4	2.1		6.6	86.9	6.1	0.4		10.4	29	60.6	0		
PHF	.958	.865	.726	.250	.886	.864	.653	.625	.333	.889	.729	.939	.667	.500	.934	.889	.695	.877	.000	.892	.938



Alliant Engineering, Inc.

733 Marquette Ave #700, Minneapolis, MN 55402

PCD & Columbine Rd-Regional Center
 Ref Pt:
 data by: Alliant Inc
 TURN MOVEMENT COUNT

File Name : 20_EP_PCD at Columbine Rd-Regional Center Rd
 Site Code :
 Start Date : 12/17/2020
 Page No : 5

Start Time	Prairie Center Dr Southbound					Regional Center Rd Westbound					Prairie Center Dr Northbound					Columbine Rd Eastbound					Int. Total
	Right	Thru	Left	Peds	App. Total	Right	Thru	Left	Peds	App. Total	Right	Thru	Left	Peds	App. Total	Right	Thru	Left	Peds	App. Total	
Peak Hour Analysis From 02:00 PM to 05:45 PM - Peak 1 of 1																					
Peak Hour for Entire Intersection Begins at 03:30 PM																					
03:30 PM	54	101	23	3	181	39	15	4	0	58	11	94	13	0	118	14	31	58	0	103	460
03:45 PM	49	142	30	0	221	38	18	5	0	61	11	116	3	0	130	13	22	51	0	86	498
04:00 PM	61	117	21	0	199	52	18	4	0	74	8	115	13	0	136	8	20	40	0	68	477
04:15 PM	73	131	23	0	227	40	13	6	0	59	8	121	7	0	136	6	24	57	0	87	509
Total Volume	237	491	97	3	828	169	64	19	0	252	38	446	36	0	520	41	97	206	0	344	1944
% App. Total	28.6	59.3	11.7	0.4		67.1	25.4	7.5	0		7.3	85.8	6.9	0		11.9	28.2	59.9	0		
PHF	.812	.864	.808	.250	.912	.813	.889	.792	.000	.851	.864	.921	.692	.000	.956	.732	.782	.888	.000	.835	.955

