

Alliant Engineering Inc Minneapolis, MN 55415

Prairie Center Drive at W 78th St.
Eden Prairie
data by: Alliant Engineering
TURN MOVEMENT COUNT

File Name : 17_Prairie Center Drive at W. 78th Street
Site Code : 00000017
Start Date : 10/15/2009
Page No : 1

Groups Printed- Unshifted - Bank 1

Start Time	Prairie Center Drive Southbound				W. 78th Street Westbound				Prairie Center Drive Northbound				W. 78th Street Eastbound				Int. Total
	Left	Thru	Right	Peds	Left	Thru	Right	Peds	Left	Thru	Right	Peds	Left	Thru	Right	Peds	
06:30	5	39	23	0	3	4	2	0	7	83	13	1	9	3	5	0	197
06:45	17	80	29	0	4	5	0	0	10	139	11	0	20	12	6	0	333
Total	22	119	52	0	7	9	2	0	17	222	24	1	29	15	11	0	530
07:00	12	73	30	0	1	5	1	0	11	162	7	0	17	4	8	0	331
07:15	6	70	29	0	1	3	1	0	23	199	20	0	30	13	8	0	403
07:30	18	75	27	0	3	2	3	0	11	233	18	0	34	21	8	0	453
07:45	21	89	31	0	8	5	4	0	21	268	33	0	40	27	7	0	554
Total	57	307	117	0	13	15	9	0	66	862	78	0	121	65	31	0	1741
08:00	14	87	27	0	3	2	4	0	15	213	28	0	31	21	6	0	451
08:15	10	101	31	0	2	5	2	0	14	218	29	0	20	12	9	0	453
08:30	10	96	29	0	6	7	4	0	14	166	15	0	24	12	8	0	391
08:45	11	92	31	0	4	7	3	0	13	147	16	0	25	10	10	0	369
Total	45	376	118	0	15	21	13	0	56	744	88	0	100	55	33	0	1664
09:00	5	84	29	0	4	6	5	0	13	113	12	0	15	7	7	0	300
09:15	5	91	28	0	7	9	3	0	24	116	11	0	19	11	12	0	336
*** BREAK ***																	
Total	10	175	57	0	11	15	8	0	37	229	23	0	34	18	19	0	636
*** BREAK ***																	
10:30	7	95	44	0	9	14	2	0	29	116	15	0	24	8	20	0	383
10:45	4	112	47	0	9	23	5	0	15	87	8	0	26	18	23	0	377
Total	11	207	91	0	18	37	7	0	44	203	23	0	50	26	43	0	760
11:00	5	136	62	0	9	21	5	0	19	106	11	0	30	6	23	0	433
11:15	8	169	77	0	19	24	5	0	24	114	10	0	39	17	25	0	531
11:30	4	220	112	0	22	21	5	0	27	133	18	1	43	19	31	0	656
11:45	7	274	106	2	21	30	3	0	30	146	16	0	62	17	37	0	751
Total	24	799	357	2	71	96	18	0	100	499	55	1	174	59	116	0	2371
12:00	6	252	133	0	23	23	6	0	30	168	19	0	72	32	36	0	800
12:15	10	222	82	0	17	28	3	0	29	199	12	0	75	24	39	0	740
12:30	3	200	104	0	21	18	4	0	34	202	16	0	97	35	49	0	783
12:45	11	179	89	0	13	22	7	0	27	226	27	0	98	21	30	0	750
Total	30	853	408	0	74	91	20	0	120	795	74	0	342	112	154	0	3073
13:00	7	204	73	0	18	17	5	0	41	221	17	0	79	23	41	0	746
13:15	4	160	51	0	24	14	4	0	27	155	18	0	84	25	20	2	588
*** BREAK ***																	
Total	11	364	124	0	42	31	9	0	68	376	35	0	163	48	61	2	1334
*** BREAK ***																	
14:30	4	130	42	0	15	16	1	0	19	113	16	0	36	19	28	0	439
14:45	8	130	55	0	15	12	9	0	25	99	14	0	31	22	23	0	443
Total	12	260	97	0	30	28	10	0	44	212	30	0	67	41	51	0	882
15:00	15	112	53	1	11	16	12	0	24	125	8	0	39	19	19	0	454
15:15	17	132	56	0	15	13	8	0	28	124	10	0	36	24	36	0	499
15:30	39	168	75	0	18	15	17	0	18	133	11	0	40	23	35	0	592
15:45	39	163	37	0	15	21	9	0	33	103	11	0	35	25	31	0	522
Total	110	575	221	1	59	65	46	0	103	485	40	0	150	91	121	0	2067
16:00	77	199	75	0	15	24	13	0	26	139	14	0	26	25	28	0	661
16:15	58	204	83	0	14	20	18	0	21	119	19	0	28	24	40	0	648
16:30	96	237	88	0	26	15	14	1	20	146	22	0	47	32	36	0	780
16:45	70	299	100	0	20	25	21	0	20	133	28	0	45	34	60	0	855
Total	301	939	346	0	75	84	66	1	87	537	83	0	146	115	164	0	2944

Alliant Engineering Inc Minneapolis, MN 55415

Prairie Center Drive at W 78th St.
Eden Prairie
data by: Alliant Engineering
TURN MOVEMENT COUNT

File Name : 17_Prairie Center Drive at W. 78th Street
Site Code : 00000017
Start Date : 10/15/2009
Page No : 2

Groups Printed- Unshifted - Bank 1

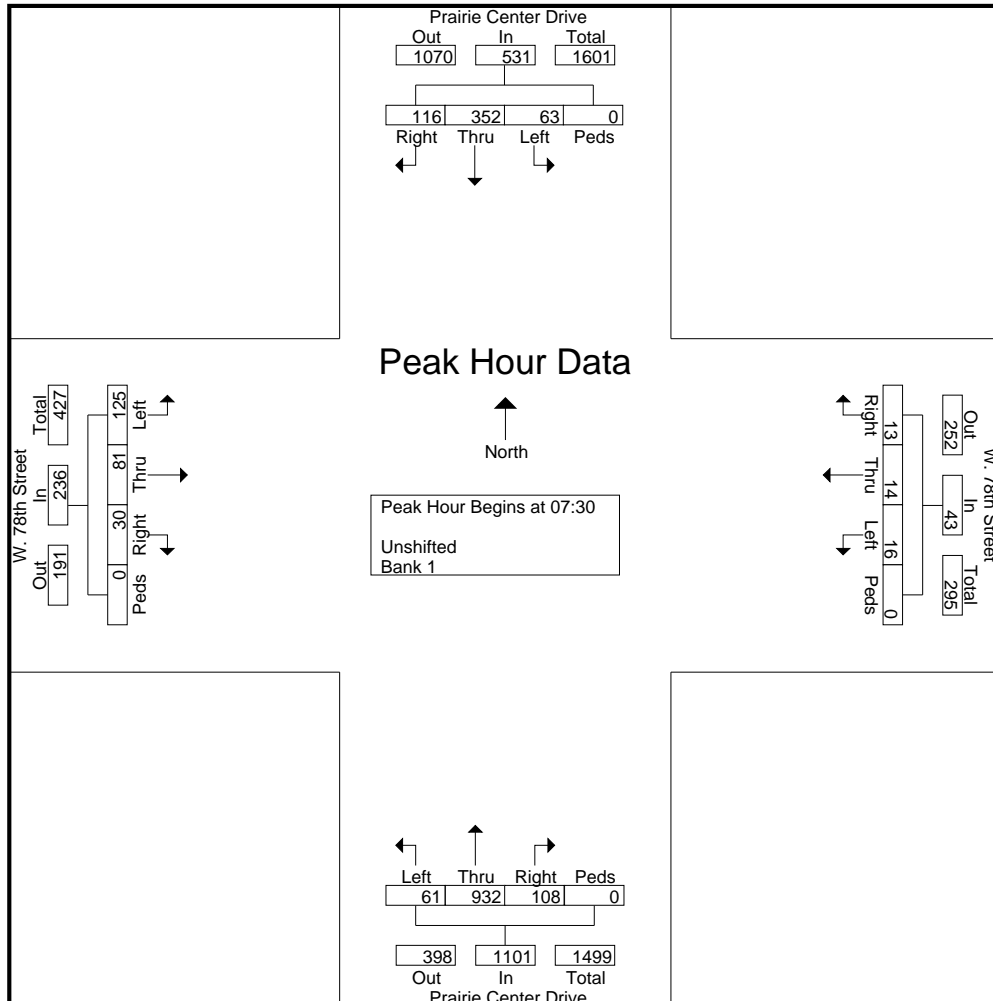
Start Time	Prairie Center Drive Southbound				W. 78th Street Westbound				Prairie Center Drive Northbound				W. 78th Street Eastbound				Int. Total
	Left	Thru	Right	Peds	Left	Thru	Right	Peds	Left	Thru	Right	Peds	Left	Thru	Right	Peds	
17:00	85	268	113	0	22	34	27	0	35	114	18	0	43	21	53	0	833
17:15	57	265	90	0	39	31	15	0	30	104	21	0	60	29	43	0	784
17:30	54	275	90	0	30	39	26	0	14	83	16	0	33	25	59	0	744
17:45	25	256	83	0	19	33	18	0	20	87	13	0	29	25	27	0	635
Total	221	1064	376	0	110	137	86	0	99	388	68	0	165	100	182	0	2996
18:00	25	225	88	0	29	16	22	0	22	120	14	0	29	22	36	0	648
18:15	12	187	75	0	13	13	10	0	12	104	12	0	38	23	34	0	533
18:30	6	159	69	2	14	12	1	0	27	81	11	0	43	20	33	0	478
18:45	6	115	42	0	7	9	3	0	19	97	11	0	31	13	28	0	381
Total	49	686	274	2	63	50	36	0	80	402	48	0	141	78	131	0	2040
Grand Total	903	6724	2638	5	588	679	330	1	921	5954	669	2	1682	823	1117	2	23038
Apprch %	8.8	65.5	25.7	0	36.8	42.5	20.7	0.1	12.2	78.9	8.9	0	46.4	22.7	30.8	0.1	
Total %	3.9	29.2	11.5	0	2.6	2.9	1.4	0	4	25.8	2.9	0	7.3	3.6	4.8	0	
Unshifted	894	6666	2611	5	579	671	327	1	917	5900	665	2	1668	816	1114	2	22838
% Unshifted	99	99.1	99	100	98.5	98.8	99.1	100	99.6	99.1	99.4	100	99.2	99.1	99.7	100	99.1
Bank 1	9	58	27	0	9	8	3	0	4	54	4	0	14	7	3	0	200
% Bank 1	1	0.9	1	0	1.5	1.2	0.9	0	0.4	0.9	0.6	0	0.8	0.9	0.3	0	0.9

Alliant Engineering Inc Minneapolis, MN 55415

Prairie Center Drive at W 78th St.
Eden Prairie
data by: Alliant Engineering
TURN MOVEMENT COUNT

File Name : 17_Prairie Center Drive at W. 78th Street
Site Code : 00000017
Start Date : 10/15/2009
Page No : 3

Start Time	Prairie Center Drive Southbound					W. 78th Street Westbound					Prairie Center Drive Northbound					W. 78th Street Eastbound					Int. Total
	Left	Thru	Right	Peds	App. Total	Left	Thru	Right	Peds	App. Total	Left	Thru	Right	Peds	App. Total	Left	Thru	Right	Peds	App. Total	
Peak Hour Analysis From 06:30 to 09:15 - Peak 1 of 1																					
Peak Hour for Entire Intersection Begins at 07:30																					
07:30	18	75	27	0	120	3	2	3	0	8	11	233	18	0	262	34	21	8	0	63	453
07:45	21	89	31	0	141	8	5	4	0	17	21	268	33	0	322	40	27	7	0	74	554
08:00	14	87	27	0	128	3	2	4	0	9	15	213	28	0	256	31	21	6	0	58	451
08:15	10	101	31	0	142	2	5	2	0	9	14	218	29	0	261	20	12	9	0	41	453
Total Volume	63	352	116	0	531	16	14	13	0	43	61	932	108	0	1101	125	81	30	0	236	1911
% App. Total	11.9	66.3	21.8	0		37.2	32.6	30.2	0		5.5	84.7	9.8	0		53	34.3	12.7	0		
PHF	.750	.871	.935	.000	.935	.500	.700	.813	.000	.632	.726	.869	.818	.000	.855	.781	.750	.833	.000	.797	.862



Alliant Engineering Inc Minneapolis, MN 55415

Prairie Center Drive at W 78th St.
Eden Prairie
data by: Alliant Engineering
TURN MOVEMENT COUNT

File Name : 17_Prairie Center Drive at W. 78th Street
Site Code : 00000017
Start Date : 10/15/2009
Page No : 4

Start Time	Prairie Center Drive Southbound					W. 78th Street Westbound					Prairie Center Drive Northbound					W. 78th Street Eastbound					Int. Total
	Left	Thru	Right	Peds	App. Total	Left	Thru	Right	Peds	App. Total	Left	Thru	Right	Peds	App. Total	Left	Thru	Right	Peds	App. Total	
Peak Hour Analysis From 14:30 to 18:45 - Peak 1 of 1																					
Peak Hour for Entire Intersection Begins at 16:30																					
16:30	96	237	88	0	421	26	15	14	1	56	20	146	22	0	188	47	32	36	0	115	780
16:45	70	299	100	0	469	20	25	21	0	66	20	133	28	0	181	45	34	60	0	139	855
17:00	85	268	113	0	466	22	34	27	0	83	35	114	18	0	167	43	21	53	0	117	833
17:15	57	265	90	0	412	39	31	15	0	85	30	104	21	0	155	60	29	43	0	132	784
Total Volume	308	1069	391	0	1768	107	105	77	1	290	105	497	89	0	691	195	116	192	0	503	3252
% App. Total	17.4	60.5	22.1	0		36.9	36.2	26.6	0.3		15.2	71.9	12.9	0		38.8	23.1	38.2	0		
PHF	.802	.894	.865	.000	.942	.686	.772	.713	.250	.853	.750	.851	.795	.000	.919	.813	.853	.800	.000	.905	.951

