

Alliant Engineering, Inc.

733 Marquette Ave #700, Minneapolis, MN 55402

PCD & TH 212 S Ramp-Technology File Name : 24_MNDOT_PCD at TH 212 S Ramp-Technology Dr N Jct
 Ref Pt: 156+00.249 Site Code : 1736201
 data by: Alliant Inc Start Date : 12/17/2020
 TURN MOVEMENT COUNT Page No : 1

Groups Printed- Cars - Trucks

Start Time	Prairie Center Dr Southbound					Technology Dr N Jct Westbound					Prairie Center Dr Northbound					TH 212 S Ramp Eastbound					Int. Total
	Right	Thru	Left	Peds	App. Total	Right	Thru	Left	Peds	App. Total	Right	Thru	Left	Peds	App. Total	Right	Thru	Left	Peds	App. Total	
06:00 AM	22	17	6	0	45	4	3	3	0	10	0	12	7	0	19	7	11	16	0	34	108
06:15 AM	14	41	11	0	66	0	5	1	0	6	3	12	2	0	17	10	8	11	0	29	118
06:30 AM	13	56	9	0	78	2	2	2	0	6	4	15	10	0	29	20	14	26	0	60	173
06:45 AM	6	67	14	0	87	3	6	2	0	11	3	22	6	0	31	32	16	30	0	78	207
Total	55	181	40	0	276	9	16	8	0	33	10	61	25	0	96	69	49	83	0	201	606
07:00 AM	9	26	7	0	42	5	3	2	0	10	6	30	7	0	43	19	12	27	0	58	153
07:15 AM	6	45	8	0	59	7	3	1	0	11	3	34	7	0	44	34	12	21	0	67	181
07:30 AM	23	57	8	0	88	9	4	2	0	15	1	53	13	0	67	34	16	28	0	78	248
07:45 AM	20	58	19	0	97	9	2	0	0	11	7	40	13	0	60	50	13	43	0	106	274
Total	58	186	42	0	286	30	12	5	0	47	17	157	40	0	214	137	53	119	0	309	856
08:00 AM	19	67	12	0	98	12	8	2	0	22	6	33	14	0	53	52	24	37	0	113	286
08:15 AM	21	57	18	0	96	9	9	8	0	26	6	66	15	0	87	45	21	29	0	95	304
08:30 AM	22	71	13	0	106	9	3	2	0	14	3	48	8	0	59	52	26	30	0	108	287
08:45 AM	18	86	25	0	129	7	4	6	0	17	13	64	11	0	88	53	30	45	0	128	362
Total	80	281	68	0	429	37	24	18	0	79	28	211	48	0	287	202	101	141	0	444	1239
09:00 AM	22	63	34	0	119	21	2	2	0	25	21	63	13	0	97	53	37	37	0	127	368
09:15 AM	34	82	37	0	153	26	3	8	0	37	28	72	20	0	120	55	37	38	0	130	440
*** BREAK ***																					
Total	56	145	71	0	272	47	5	10	0	62	49	135	33	0	217	108	74	75	0	257	808
*** BREAK ***																					
10:30 AM	20	94	40	0	154	50	25	20	0	95	26	103	38	0	167	65	36	49	0	150	566
10:45 AM	30	103	43	0	176	61	22	14	1	98	30	101	18	0	149	77	55	47	0	179	602
Total	50	197	83	0	330	111	47	34	1	193	56	204	56	0	316	142	91	96	0	329	1168
11:00 AM	18	108	36	0	162	60	19	23	0	102	34	111	15	0	160	83	48	40	0	171	595
11:15 AM	28	123	57	0	208	56	18	19	0	93	42	130	21	0	193	82	46	43	0	171	665
11:30 AM	30	113	36	0	179	67	24	32	1	124	42	144	30	0	216	90	46	21	0	157	676
11:45 AM	28	137	35	0	200	72	20	29	1	122	33	170	37	1	241	102	46	53	1	202	765
Total	104	481	164	0	749	255	81	103	2	441	151	555	103	1	810	357	186	157	1	701	2701
12:00 PM	35	129	44	0	208	80	24	22	0	126	32	184	32	0	248	104	44	41	0	189	771
12:15 PM	34	132	40	0	206	94	18	22	0	134	45	172	39	0	256	84	51	41	0	176	772
12:30 PM	29	144	33	0	206	60	26	26	0	112	39	168	28	0	235	87	54	42	0	183	736
12:45 PM	46	141	46	0	233	70	20	21	0	111	24	165	39	0	228	97	46	50	0	193	765
Total	144	546	163	0	853	304	88	91	0	483	140	689	138	0	967	372	195	174	0	741	3044
01:00 PM	39	121	42	0	202	69	20	21	0	110	29	179	38	0	246	105	61	35	0	201	759
01:15 PM	42	144	44	0	230	79	19	29	0	127	27	148	40	0	215	115	49	58	0	222	794
*** BREAK ***																					
Total	81	265	86	0	432	148	39	50	0	237	56	327	78	0	461	220	110	93	0	423	1553
*** BREAK ***																					
02:30 PM	44	105	50	0	199	89	13	22	0	124	46	194	29	0	269	103	45	31	0	179	771
02:45 PM	33	147	54	0	234	97	22	27	0	146	43	203	32	0	278	96	49	36	0	181	839
Total	77	252	104	0	433	186	35	49	0	270	89	397	61	0	547	199	94	67	0	360	1610
03:00 PM	39	124	48	0	211	68	24	14	0	106	42	196	45	0	283	102	40	29	0	171	771
03:15 PM	43	127	55	0	225	73	29	34	1	137	32	194	50	3	279	117	58	37	0	212	853
03:30 PM	39	146	42	0	227	85	17	25	1	128	29	176	38	0	243	95	44	48	0	187	785
03:45 PM	31	129	44	0	204	89	25	21	1	136	30	205	39	0	274	119	46	27	0	192	806
Total	152	526	189	0	867	315	95	94	3	507	133	771	172	3	1079	433	188	141	0	762	3215
04:00 PM	43	110	48	0	201	92	28	24	0	144	46	165	46	0	257	108	51	40	0	199	801

Alliant Engineering, Inc.

733 Marquette Ave #700, Minneapolis, MN 55402

PCD & TH 212 S Ramp-Technology File Name : 24_MNDOT_PCD at TH 212 S Ramp-Technology Dr N Jct
 Ref Pt: 156+00.249 Site Code : 1736201
 data by: Alliant Inc Start Date : 12/17/2020
 TURN MOVEMENT COUNT Page No : 2

Groups Printed- Cars - Trucks

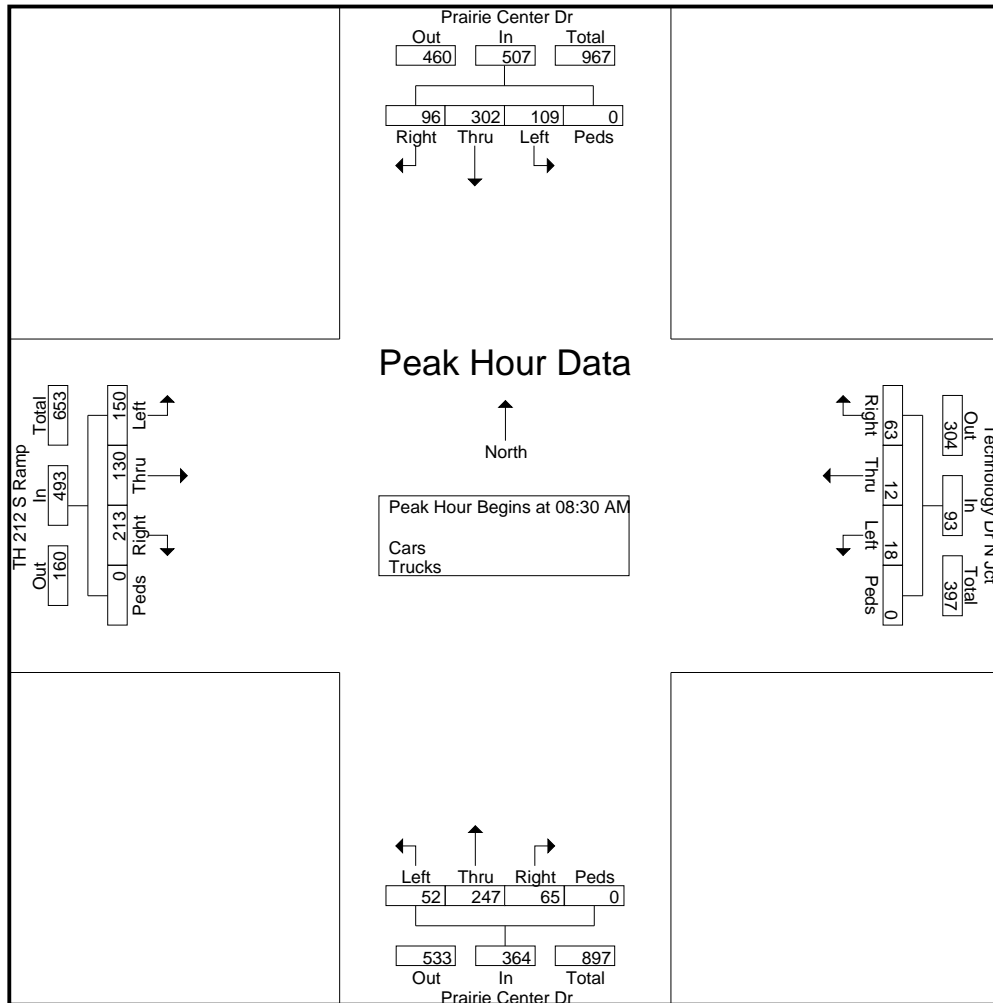
Start Time	Prairie Center Dr Southbound					Technology Dr N Jct Westbound					Prairie Center Dr Northbound					TH 212 S Ramp Eastbound					Int. Total
	Right	Thru	Left	Peds	App. Total	Right	Thru	Left	Peds	App. Total	Right	Thru	Left	Peds	App. Total	Right	Thru	Left	Peds	App. Total	
04:15 PM	31	138	43	0	212	79	19	24	0	122	37	175	30	0	242	121	55	32	0	208	784
04:30 PM	43	130	50	0	223	90	15	20	3	128	24	266	32	0	322	78	35	29	0	142	815
04:45 PM	32	107	42	0	181	89	29	27	0	145	45	192	37	0	274	104	49	33	0	186	786
Total	149	485	183	0	817	350	91	95	3	539	152	798	145	0	1095	411	190	134	0	735	3186
05:00 PM	62	118	46	0	226	77	14	29	0	120	34	223	32	0	289	84	39	25	0	148	783
05:15 PM	48	107	40	0	195	62	26	24	0	112	42	230	44	0	316	124	52	33	0	209	832
05:30 PM	45	98	55	0	198	89	20	26	0	135	32	155	42	0	229	93	39	31	0	163	725
05:45 PM	37	126	37	0	200	68	15	34	0	117	31	190	38	0	259	98	33	29	0	160	736
Total	192	449	178	0	819	296	75	113	0	484	139	798	156	0	1093	399	163	118	0	680	3076
Grand Total	1198	3994	1371	0	6563	2088	608	670	9	3375	1020	5103	1055	4	7182	3049	1494	1398	1	5942	23062
Apprch %	18.3	60.9	20.9	0		61.9	18	19.9	0.3		14.2	71.1	14.7	0.1		51.3	25.1	23.5	0		
Total %	5.2	17.3	5.9	0	28.5	9.1	2.6	2.9	0	14.6	4.4	22.1	4.6	0	31.1	13.2	6.5	6.1	0	25.8	
Cars	1146	3924	1352	0	6422	2074	593	667	9	3343	1012	5047	1033	4	7096	3018	1483	1374	1	5876	22737
% Cars	95.7	98.2	98.6	0	97.9	99.3	97.5	99.6	100	99.1	99.2	98.9	97.9	100	98.8	99	99.3	98.3	100	98.9	98.6
Trucks	52	70	19	0	141	14	15	3	0	32	8	56	22	0	86	31	11	24	0	66	325
% Trucks	4.3	1.8	1.4	0	2.1	0.7	2.5	0.4	0	0.9	0.8	1.1	2.1	0	1.2	1	0.7	1.7	0	1.1	1.4

Alliant Engineering, Inc.

733 Marquette Ave #700, Minneapolis, MN 55402

PCD & TH 212 S Ramp-Technology File Name : 24_MNDOT_PCD at TH 212 S Ramp-Technology Dr N Jct
 Ref Pt: 156+00.249 Site Code : 1736201
 data by: Alliant Inc Start Date : 12/17/2020
 TURN MOVEMENT COUNT Page No : 3

Start Time	Prairie Center Dr Southbound					Technology Dr N Jct Westbound					Prairie Center Dr Northbound					TH 212 S Ramp Eastbound					Int. Total
	Right	Thru	Left	Peds	App. Total	Right	Thru	Left	Peds	App. Total	Right	Thru	Left	Peds	App. Total	Right	Thru	Left	Peds	App. Total	
Peak Hour Analysis From 06:00 AM to 09:45 AM - Peak 1 of 1																					
Peak Hour for Entire Intersection Begins at 08:30 AM																					
08:30 AM	22	71	13	0	106	9	3	2	0	14	3	48	8	0	59	52	26	30	0	108	287
08:45 AM	18	86	25	0	129	7	4	6	0	17	13	64	11	0	88	53	30	45	0	128	362
09:00 AM	22	63	34	0	119	21	2	2	0	25	21	63	13	0	97	53	37	37	0	127	368
09:15 AM	34	82	37	0	153	26	3	8	0	37	28	72	20	0	120	55	37	38	0	130	440
Total Volume	96	302	109	0	507	63	12	18	0	93	65	247	52	0	364	213	130	150	0	493	1457
% App. Total	18.9	59.6	21.5	0		67.7	12.9	19.4	0		17.9	67.9	14.3	0		43.2	26.4	30.4	0		
PHF	.706	.878	.736	.000	.828	.606	.750	.563	.000	.628	.580	.858	.650	.000	.758	.968	.878	.833	.000	.948	.828

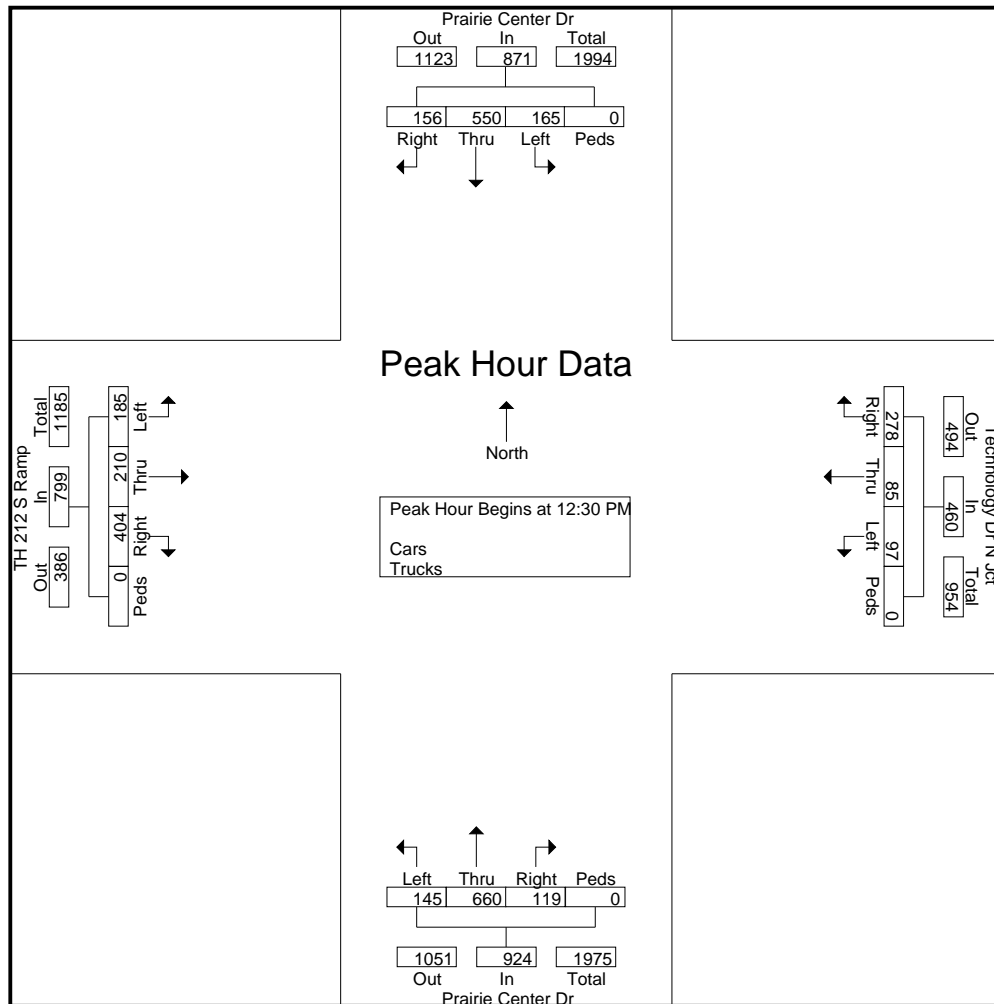


Alliant Engineering, Inc.

733 Marquette Ave #700, Minneapolis, MN 55402

PCD & TH 212 S Ramp-Technology File Name : 24_MNDOT_PCD at TH 212 S Ramp-Technology Dr N Jct
 Ref Pt: 156+00.249 Site Code : 1736201
 data by: Alliant Inc Start Date : 12/17/2020
 TURN MOVEMENT COUNT Page No : 4

Start Time	Prairie Center Dr Southbound					Technology Dr N Jct Westbound					Prairie Center Dr Northbound					TH 212 S Ramp Eastbound					Int. Total
	Right	Thru	Left	Peds	App. Total	Right	Thru	Left	Peds	App. Total	Right	Thru	Left	Peds	App. Total	Right	Thru	Left	Peds	App. Total	
Peak Hour Analysis From 10:00 AM to 01:45 PM - Peak 1 of 1																					
Peak Hour for Entire Intersection Begins at 12:30 PM																					
12:30 PM	29	144	33	0	206	60	26	26	0	112	39	168	28	0	235	87	54	42	0	183	736
12:45 PM	46	141	46	0	233	70	20	21	0	111	24	165	39	0	228	97	46	50	0	193	765
01:00 PM	39	121	42	0	202	69	20	21	0	110	29	179	38	0	246	105	61	35	0	201	759
01:15 PM	42	144	44	0	230	79	19	29	0	127	27	148	40	0	215	115	49	58	0	222	794
Total Volume	156	550	165	0	871	278	85	97	0	460	119	660	145	0	924	404	210	185	0	799	3054
% App. Total	17.9	63.1	18.9	0		60.4	18.5	21.1	0		12.9	71.4	15.7	0		50.6	26.3	23.2	0		
PHF	.848	.955	.897	.000	.935	.880	.817	.836	.000	.906	.763	.922	.906	.000	.939	.878	.861	.797	.000	.900	.962



Alliant Engineering, Inc.

733 Marquette Ave #700, Minneapolis, MN 55402

PCD & TH 212 S Ramp-Technology File Name : 24_MNDOT_PCD at TH 212 S Ramp-Technology Dr N Jct
 Ref Pt: 156+00.249 Site Code : 1736201
 data by: Alliant Inc Start Date : 12/17/2020
 TURN MOVEMENT COUNT Page No : 5

Start Time	Prairie Center Dr Southbound					Technology Dr N Jct Westbound					Prairie Center Dr Northbound					TH 212 S Ramp Eastbound					Int. Total
	Right	Thru	Left	Peds	App. Total	Right	Thru	Left	Peds	App. Total	Right	Thru	Left	Peds	App. Total	Right	Thru	Left	Peds	App. Total	
Peak Hour Analysis From 02:00 PM to 05:45 PM - Peak 1 of 1																					
Peak Hour for Entire Intersection Begins at 02:45 PM																					
02:45 PM	33	147	54	0	234	97	22	27	0	146	43	203	32	0	278	96	49	36	0	181	839
03:00 PM	39	124	48	0	211	68	24	14	0	106	42	196	45	0	283	102	40	29	0	171	771
03:15 PM	43	127	55	0	225	73	29	34	1	137	32	194	50	3	279	117	58	37	0	212	853
03:30 PM	39	146	42	0	227	85	17	25	1	128	29	176	38	0	243	95	44	48	0	187	785
Total Volume	154	544	199	0	897	323	92	100	2	517	146	769	165	3	1083	410	191	150	0	751	3248
% App. Total	17.2	60.6	22.2	0		62.5	17.8	19.3	0.4		13.5	71	15.2	0.3		54.6	25.4	20	0		
PHF	.895	.925	.905	.000	.958	.832	.793	.735	.500	.885	.849	.947	.825	.250	.957	.876	.823	.781	.000	.886	.952

