

# Albeck Gerken, Inc

Transportation Engineers

Traffic Data Collection

Prairie Center Dr. at Regional Center Rd File Name : Prairie Center Dr at Regional Center Rd 2004

Ref. Pt.: Eden Prairie Site Code : 00000000

Data by: AlbeckGerken Inc- George/Doreth Start Date : 10/27/2004

TURN MOVEMENT COUNT Page No : 1

Groups Printed- Unshifted

Start Time	PRAIRIE CENTER DR Southbound				REGIONAL CENTER RD Westbound				PRAIRIE CENTER DR Northbound				COLUMBINE RD Eastbound				Int. Total
	Left	Thru	Right	Peds	Left	Thru	Right	Peds	Left	Thru	Right	Peds	Left	Thru	Right	Peds	
06:30	1	61	0	0	3	0	3	0	3	82	5	0	0	0	1	0	159
06:45	4	68	1	0	1	0	5	0	2	92	1	0	0	0	0	0	174
Total	5	129	1	0	4	0	8	0	5	174	6	0	0	0	1	0	333
07:00	2	62	0	0	1	0	6	0	5	141	4	0	1	0	1	0	223
07:15	0	85	0	0	0	0	3	0	3	184	3	0	0	1	5	0	284
07:30	6	122	0	0	3	0	6	0	2	160	5	0	1	0	4	0	309
07:45	8	135	0	0	1	0	1	0	2	166	2	0	0	2	2	0	319
Total	16	404	0	0	5	0	16	0	12	651	14	0	2	3	12	0	1135
08:00	6	124	0	0	0	0	5	0	3	151	4	0	0	0	5	0	298
08:15	3	123	0	0	0	0	6	0	2	134	0	0	0	0	5	0	273
***BREAK***																	
Total	9	247	0	0	0	0	11	0	5	285	4	0	0	0	10	0	571
***BREAK***																	
11:30	25	214	0	0	6	0	25	0	8	157	13	0	1	0	5	0	454
11:45	21	244	0	0	5	0	30	0	9	162	8	0	0	0	8	0	487
Total	46	458	0	0	11	0	55	0	17	319	21	0	1	0	13	0	941
12:00	25	266	1	0	14	0	25	0	8	157	14	0	1	0	4	1	516
12:15	22	234	0	0	9	0	40	0	9	195	12	0	1	1	12	0	535
12:30	20	236	1	0	6	0	39	0	6	222	7	0	1	2	5	0	545
12:45	18	207	0	0	6	0	45	0	3	191	9	0	0	0	2	1	482
Total	85	943	2	0	35	0	149	0	26	765	42	0	3	3	23	2	2078
13:00	19	173	1	0	8	0	40	0	8	169	11	0	2	0	6	2	439
13:15	20	213	1	0	5	0	37	1	10	160	5	0	0	0	8	0	460
***BREAK***																	
Total	39	386	2	0	13	0	77	1	18	329	16	0	2	0	14	2	899
***BREAK***																	
16:00	13	226	1	1	14	0	33	0	3	148	10	0	0	0	2	1	452
16:15	12	253	0	3	7	1	30	0	3	156	10	0	0	1	6	0	482
16:30	10	308	0	1	4	0	33	0	4	136	7	0	0	0	9	0	512
16:45	12	295	0	4	12	1	26	0	2	130	10	1	0	0	8	0	501
Total	47	1082	1	9	37	2	122	0	12	570	37	1	0	1	25	1	1947
17:00	15	301	1	2	8	0	23	0	4	133	15	0	0	0	0	0	502
17:15	21	335	0	0	8	1	28	0	2	167	9	1	0	0	3	0	575
17:30	15	308	1	1	7	0	42	0	6	166	7	0	0	0	6	0	559
17:45	15	274	0	0	8	0	28	0	7	157	10	2	0	1	6	0	508
Total	66	1218	2	3	31	1	121	0	19	623	41	3	0	1	15	0	2144
Grand Total	313	4867	8	12	136	3	559	1	114	3716	181	4	8	8	113	5	10048
Apprch %	6	93.6	0.2	0.2	19.5	0.4	80	0.1	2.8	92.6	4.5	0.1	6	6	84.3	3.7	
Total %	3.1	48.4	0.1	0.1	1.4	0	5.6	0	1.1	37	1.8	0	0.1	0.1	1.1	0	

# Albeck Gerken, Inc

Transportation Engineers

Traffic Data Collection

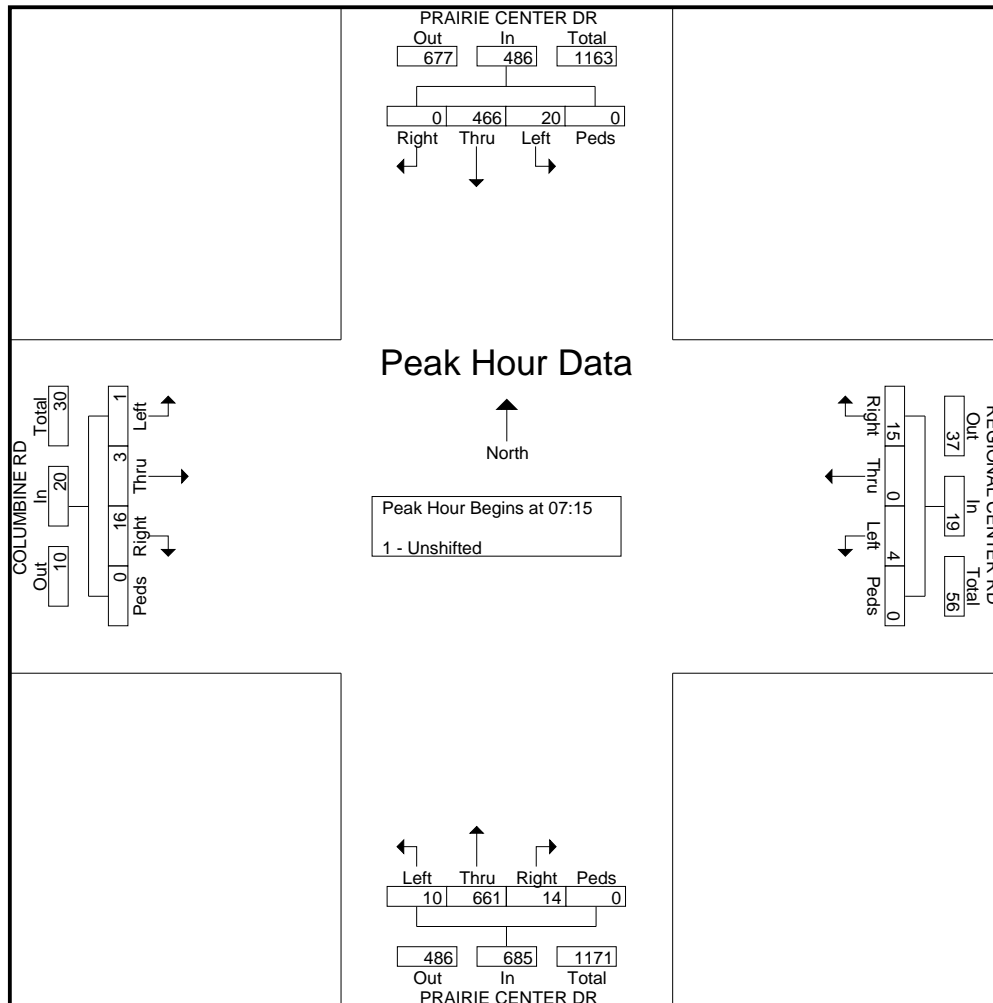
Prairie Center Dr. at Regional Center Rd File Name : Prairie Center Dr at Regional Center Rd 2004

Ref. Pt.: Eden Prairie Site Code : 00000000

Data by: AlbeckGerken Inc- George/Doreth Start Date : 10/27/2004

TURN MOVEMENT COUNT Page No : 2

Start Time	PRAIRIE CENTER DR Southbound					REGIONAL CENTER RD Westbound					PRAIRIE CENTER DR Northbound					COLUMBINE RD Eastbound					Int. Total
	Left	Thru	Right	Peds	App. Total	Left	Thru	Right	Peds	App. Total	Left	Thru	Right	Peds	App. Total	Left	Thru	Right	Peds	App. Total	
Peak Hour Analysis From 06:30 to 08:15 - Peak 1 of 1																					
Peak Hour for Entire Intersection Begins at 07:15																					
07:15	0	85	0	0	85	0	0	3	0	3	3	184	3	0	190	0	1	5	0	6	284
07:30	6	122	0	0	128	3	0	6	0	9	2	160	5	0	167	1	0	4	0	5	309
07:45	8	135	0	0	143	1	0	1	0	2	2	166	2	0	170	0	2	2	0	4	319
08:00	6	124	0	0	130	0	0	5	0	5	3	151	4	0	158	0	0	5	0	5	298
Total Volume	20	466	0	0	486	4	0	15	0	19	10	661	14	0	685	1	3	16	0	20	1210
% App. Total	4.1	95.9	0	0		21.1	0	78.9	0		1.5	96.5	2	0		5	15	80	0		
PHF	.625	.863	.000	.000	.850	.333	.000	.625	.000	.528	.833	.898	.700	.000	.901	.250	.375	.800	.000	.833	.948



# Albeck Gerken, Inc

Transportation Engineers

Traffic Data Collection

Prairie Center Dr. at Regional Center Rd File Name : Prairie Center Dr at Regional Center Rd 2004

Ref. Pt.: Eden Prairie Site Code : 00000000

Data by: AlbeckGerken Inc- George/Doreth Start Date : 10/27/2004

TURN MOVEMENT COUNT

Page No : 3

Start Time	PRAIRIE CENTER DR Southbound					REGIONAL CENTER RD Westbound					PRAIRIE CENTER DR Northbound					COLUMBINE RD Eastbound					Int. Total
	Left	Thru	Right	Peds	App. Total	Left	Thru	Right	Peds	App. Total	Left	Thru	Right	Peds	App. Total	Left	Thru	Right	Peds	App. Total	
Peak Hour Analysis From 16:00 to 17:45 - Peak 1 of 1																					
Peak Hour for Entire Intersection Begins at 17:00																					
17:00	15	301	1	2	319	8	0	23	0	31	4	133	15	0	152	0	0	0	0	0	502
17:15	21	335	0	0	356	8	1	28	0	37	2	167	9	1	179	0	0	3	0	3	575
17:30	15	308	1	1	325	7	0	42	0	49	6	166	7	0	179	0	0	6	0	6	559
17:45	15	274	0	0	289	8	0	28	0	36	7	157	10	2	176	0	1	6	0	7	508
Total Volume	66	1218	2	3	1289	31	1	121	0	153	19	623	41	3	686	0	1	15	0	16	2144
% App. Total	5.1	94.5	0.2	0.2		20.3	0.7	79.1	0		2.8	90.8	6	0.4		0	6.2	93.8	0		
PHF	.786	.909	.500	.375	.905	.969	.250	.720	.000	.781	.679	.933	.683	.375	.958	.000	.250	.625	.000	.571	.932

