

Alliant Engineering Inc Minneapolis, MN 55415

Valley View Rd at Plaza Dr / Topview Rd
Eden Prairie
data by: Alliant Engineering
TURN MOVEMENT COUNT

File Name : 27_Valley View Road at Topview Road Plaza Drive
Site Code : 00000027
Start Date : 10/21/2009
Page No : 1

Groups Printed- Unshifted - Bank 1

Start Time	Topview Road Southbound				Valley View Road Westbound				Plaza Drive Northbound				Valley View Road Eastbound				Int. Total
	Left	Thru	Right	Peds	Left	Thru	Right	Peds	Left	Thru	Right	Peds	Left	Thru	Right	Peds	
06:30	14	5	3	0	10	29	0	0	0	1	5	0	2	39	4	0	112
06:45	9	3	1	0	6	44	2	0	3	0	13	0	1	45	5	0	132
Total	23	8	4	0	16	73	2	0	3	1	18	0	3	84	9	0	244
07:00	22	8	6	0	10	48	0	0	0	2	18	0	1	64	2	0	181
07:15	23	6	4	0	15	57	7	0	1	4	18	0	0	99	2	0	236
07:30	32	6	6	0	19	39	4	0	2	4	12	0	0	136	5	0	265
07:45	23	7	3	0	25	74	14	0	5	1	19	0	3	149	12	0	335
Total	100	27	19	0	69	218	25	0	8	11	67	0	4	448	21	0	1017
08:00	16	12	0	0	17	65	10	0	4	1	23	0	4	133	7	0	292
08:15	22	6	2	0	26	79	8	0	3	3	23	0	3	107	13	0	295
08:30	9	0	4	0	32	71	5	0	6	2	31	0	4	76	4	0	244
08:45	14	10	8	0	22	84	11	0	4	7	19	0	10	59	8	0	256
Total	61	28	14	0	97	299	34	0	17	13	96	0	21	375	32	0	1087
09:00	20	5	5	0	16	71	11	0	5	0	17	0	5	47	2	0	204
09:15	13	5	1	0	26	61	1	0	7	6	13	0	2	65	7	0	207
*** BREAK ***																	
Total	33	10	6	0	42	132	12	0	12	6	30	0	7	112	9	0	411
*** BREAK ***																	
10:30	17	5	7	0	28	62	11	0	9	5	24	0	3	51	10	0	232
10:45	13	4	4	0	35	80	2	0	8	6	21	0	2	51	9	0	235
Total	30	9	11	0	63	142	13	0	17	11	45	0	5	102	19	0	467
11:00	8	4	1	0	26	80	4	0	7	3	21	0	8	51	16	0	229
11:15	6	3	5	0	40	74	5	0	15	10	28	0	6	55	15	0	262
11:30	10	2	1	0	43	118	8	0	10	6	25	0	6	68	11	0	308
11:45	12	4	2	0	57	92	9	0	6	4	36	1	3	65	14	0	305
Total	36	13	9	0	166	364	26	0	38	23	110	1	23	239	56	0	1104
12:00	13	4	4	0	48	84	13	0	20	4	52	0	10	98	12	0	362
12:15	10	5	9	0	39	87	16	0	6	2	48	2	7	75	8	0	314
12:30	9	6	0	0	37	75	8	0	14	5	39	0	6	73	9	0	281
12:45	8	6	5	0	35	74	8	0	12	2	38	0	4	76	8	0	276
Total	40	21	18	0	159	320	45	0	52	13	177	2	27	322	37	0	1233
13:00	11	4	3	0	38	65	11	0	17	4	46	0	4	78	18	0	299
13:15	11	2	7	0	39	64	13	0	11	5	41	0	3	61	15	0	272
*** BREAK ***																	
Total	22	6	10	0	77	129	24	0	28	9	87	0	7	139	33	0	571
*** BREAK ***																	
14:30	8	2	3	0	29	60	6	0	12	4	26	0	3	56	8	0	217
14:45	9	5	2	0	35	59	6	0	10	7	32	0	6	60	5	0	236
Total	17	7	5	0	64	119	12	0	22	11	58	0	9	116	13	0	453
15:00	8	5	3	0	28	60	9	0	11	7	16	0	7	72	15	0	241
15:15	5	6	1	0	24	64	13	0	7	3	27	0	2	76	5	0	233
15:30	5	4	3	0	31	85	11	0	6	9	15	0	6	77	12	0	264
15:45	4	3	4	0	28	90	9	0	10	4	20	0	4	50	15	0	241
Total	22	18	11	0	111	299	42	0	34	23	78	0	19	275	47	0	979
16:00	3	5	3	0	25	111	15	0	9	11	31	0	7	82	7	0	309
16:15	6	4	1	0	32	108	15	0	10	8	23	0	7	88	6	0	308
16:30	8	7	0	0	40	118	17	0	5	6	32	0	8	82	13	0	336
16:45	11	13	5	0	51	138	14	0	9	8	17	0	10	79	6	0	361
Total	28	29	9	0	148	475	61	0	33	33	103	0	32	331	32	0	1314

Alliant Engineering Inc

Minneapolis, MN 55415

Valley View Rd at Plaza Dr / Topview Rd
 Eden Prairie
 data by: Alliant Engineering
 TURN MOVEMENT COUNT

File Name : 27_Valley View Road at Topview Road Plaza Drive
 Site Code : 00000027
 Start Date : 10/21/2009
 Page No : 2

Groups Printed- Unshifted - Bank 1

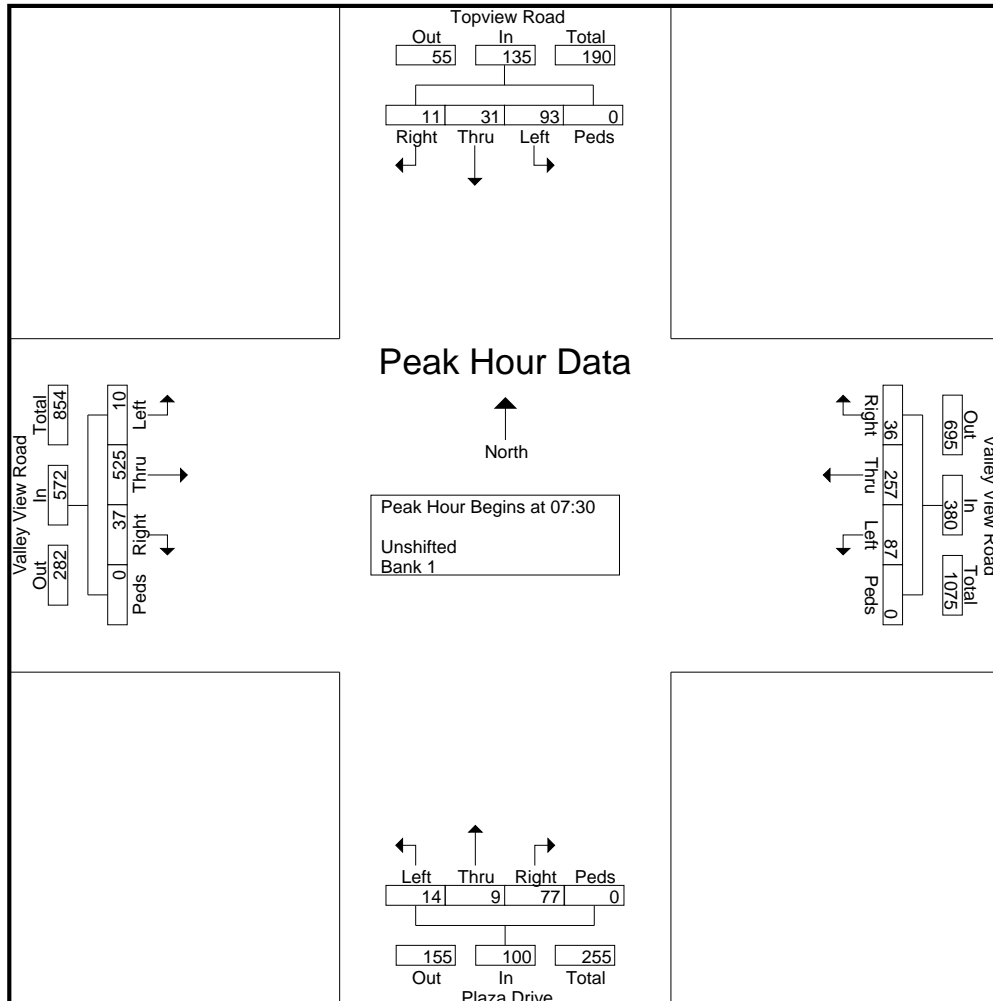
Start Time	Topview Road Southbound				Valley View Road Westbound				Plaza Drive Northbound				Valley View Road Eastbound				Int. Total
	Left	Thru	Right	Peds	Left	Thru	Right	Peds	Left	Thru	Right	Peds	Left	Thru	Right	Peds	
17:00	6	6	8	0	52	178	36	0	11	9	38	0	9	100	9	0	462
17:15	8	11	2	0	32	160	30	0	6	10	19	0	5	80	8	0	371
17:30	5	6	3	0	37	152	30	0	10	6	19	0	6	54	5	0	333
17:45	9	7	2	0	30	127	29	0	1	9	17	0	8	96	7	0	342
Total	28	30	15	0	151	617	125	0	28	34	93	0	28	330	29	0	1508
18:00	14	4	4	0	27	87	21	0	5	13	28	0	7	92	6	0	308
18:15	7	5	1	0	24	86	27	0	5	13	15	0	9	59	6	0	257
18:30	13	5	5	0	30	71	14	2	8	10	14	0	7	50	6	0	235
18:45	14	6	0	0	17	65	14	0	8	9	16	0	9	45	7	0	210
Total	48	20	10	0	98	309	76	2	26	45	73	0	32	246	25	0	1010
Grand Total	488	226	141	0	1261	3496	497	2	318	233	1035	3	217	3119	362	0	11398
Apprch %	57.1	26.4	16.5	0	24	66.5	9.5	0	20	14.7	65.1	0.2	5.9	84.3	9.8	0	
Total %	4.3	2	1.2	0	11.1	30.7	4.4	0	2.8	2	9.1	0	1.9	27.4	3.2	0	
Unshifted	483	226	140	0	1251	3484	497	2	316	233	1030	3	212	3060	344	0	11281
% Unshifted	99	100	99.3	0	99.2	99.7	100	100	99.4	100	99.5	100	97.7	98.1	95	0	99
Bank 1	5	0	1	0	10	12	0	0	2	0	5	0	5	59	18	0	117
% Bank 1	1	0	0.7	0	0.8	0.3	0	0	0.6	0	0.5	0	2.3	1.9	5	0	1

Alliant Engineering Inc Minneapolis, MN 55415

Valley View Rd at Plaza Dr / Topview Rd
Eden Prairie
data by: Alliant Engineering
TURN MOVEMENT COUNT

File Name : 27_Valley View Road at Topview Road Plaza Drive
Site Code : 00000027
Start Date : 10/21/2009
Page No : 3

Start Time	Topview Road Southbound					Valley View Road Westbound					Plaza Drive Northbound					Valley View Road Eastbound					Int. Total
	Left	Thru	Right	Peds	App. Total	Left	Thru	Right	Peds	App. Total	Left	Thru	Right	Peds	App. Total	Left	Thru	Right	Peds	App. Total	
Peak Hour Analysis From 06:30 to 09:15 - Peak 1 of 1																					
Peak Hour for Entire Intersection Begins at 07:30																					
07:30	32	6	6	0	44	19	39	4	0	62	2	4	12	0	18	0	136	5	0	141	265
07:45	23	7	3	0	33	25	74	14	0	113	5	1	19	0	25	3	149	12	0	164	335
08:00	16	12	0	0	28	17	65	10	0	92	4	1	23	0	28	4	133	7	0	144	292
08:15	22	6	2	0	30	26	79	8	0	113	3	3	23	0	29	3	107	13	0	123	295
Total Volume	93	31	11	0	135	87	257	36	0	380	14	9	77	0	100	10	525	37	0	572	1187
% App. Total	68.9	23	8.1	0		22.9	67.6	9.5	0		14	9	77	0		1.7	91.8	6.5	0		
PHF	.727	.646	.458	.000	.767	.837	.813	.643	.000	.841	.700	.563	.837	.000	.862	.625	.881	.712	.000	.872	.886



Alliant Engineering Inc Minneapolis, MN 55415

Valley View Rd at Plaza Dr / Topview Rd
Eden Prairie
data by: Alliant Engineering
TURN MOVEMENT COUNT

File Name : 27_Valley View Road at Topview Road Plaza Drive
Site Code : 0000027
Start Date : 10/21/2009
Page No : 4

Start Time	Topview Road Southbound					Valley View Road Westbound					Plaza Drive Northbound					Valley View Road Eastbound					Int. Total
	Left	Thru	Right	Peds	App. Total	Left	Thru	Right	Peds	App. Total	Left	Thru	Right	Peds	App. Total	Left	Thru	Right	Peds	App. Total	
Peak Hour Analysis From 14:30 to 18:45 - Peak 1 of 1																					
Peak Hour for Entire Intersection Begins at 16:30																					
16:30	8	7	0	0	15	40	118	17	0	175	5	6	32	0	43	8	82	13	0	103	336
16:45	11	13	5	0	29	51	138	14	0	203	9	8	17	0	34	10	79	6	0	95	361
17:00	6	6	8	0	20	52	178	36	0	266	11	9	38	0	58	9	100	9	0	118	462
17:15	8	11	2	0	21	32	160	30	0	222	6	10	19	0	35	5	80	8	0	93	371
Total Volume	33	37	15	0	85	175	594	97	0	866	31	33	106	0	170	32	341	36	0	409	1530
% App. Total	38.8	43.5	17.6	0		20.2	68.6	11.2	0		18.2	19.4	62.4	0		7.8	83.4	8.8	0		
PHF	.750	.712	.469	.000	.733	.841	.834	.674	.000	.814	.705	.825	.697	.000	.733	.800	.853	.692	.000	.867	.828

